

Zoom

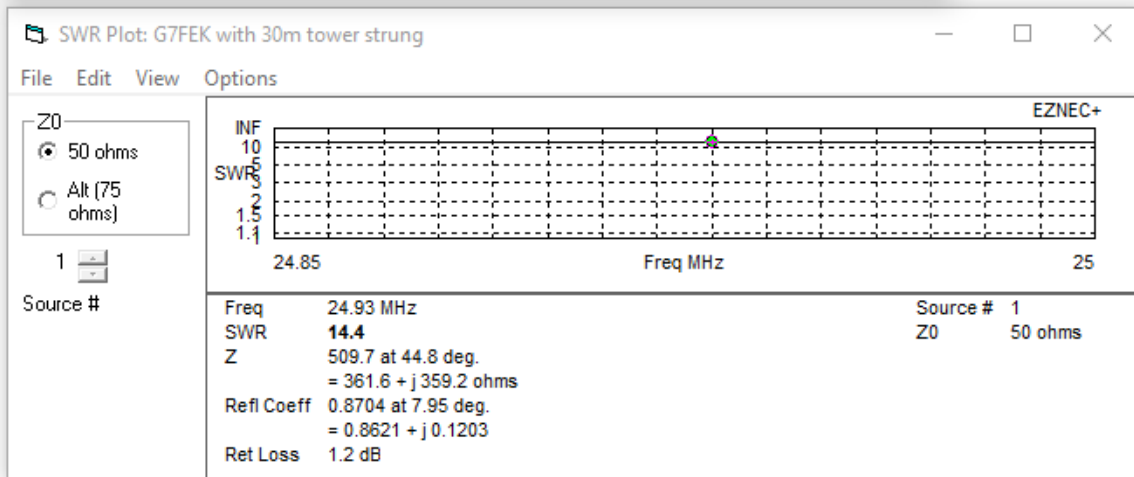
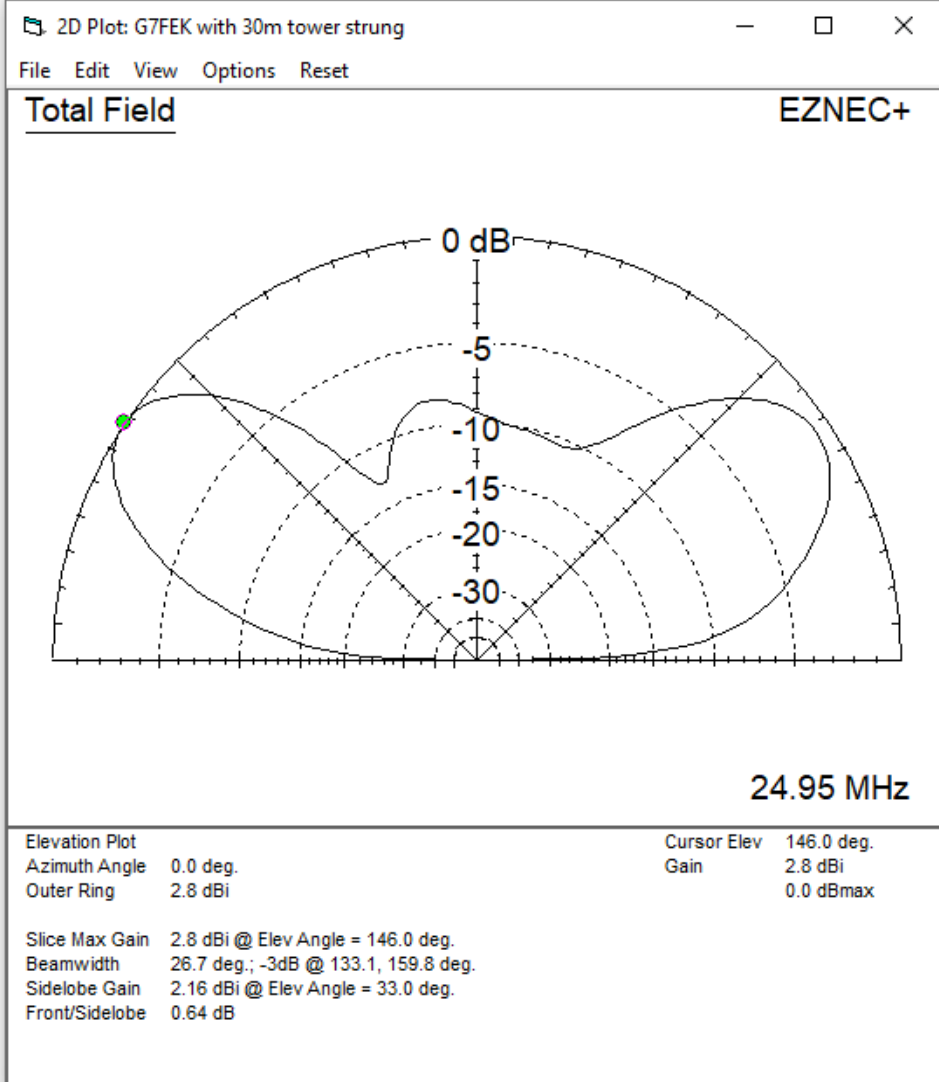
Display Current

Reset Reset

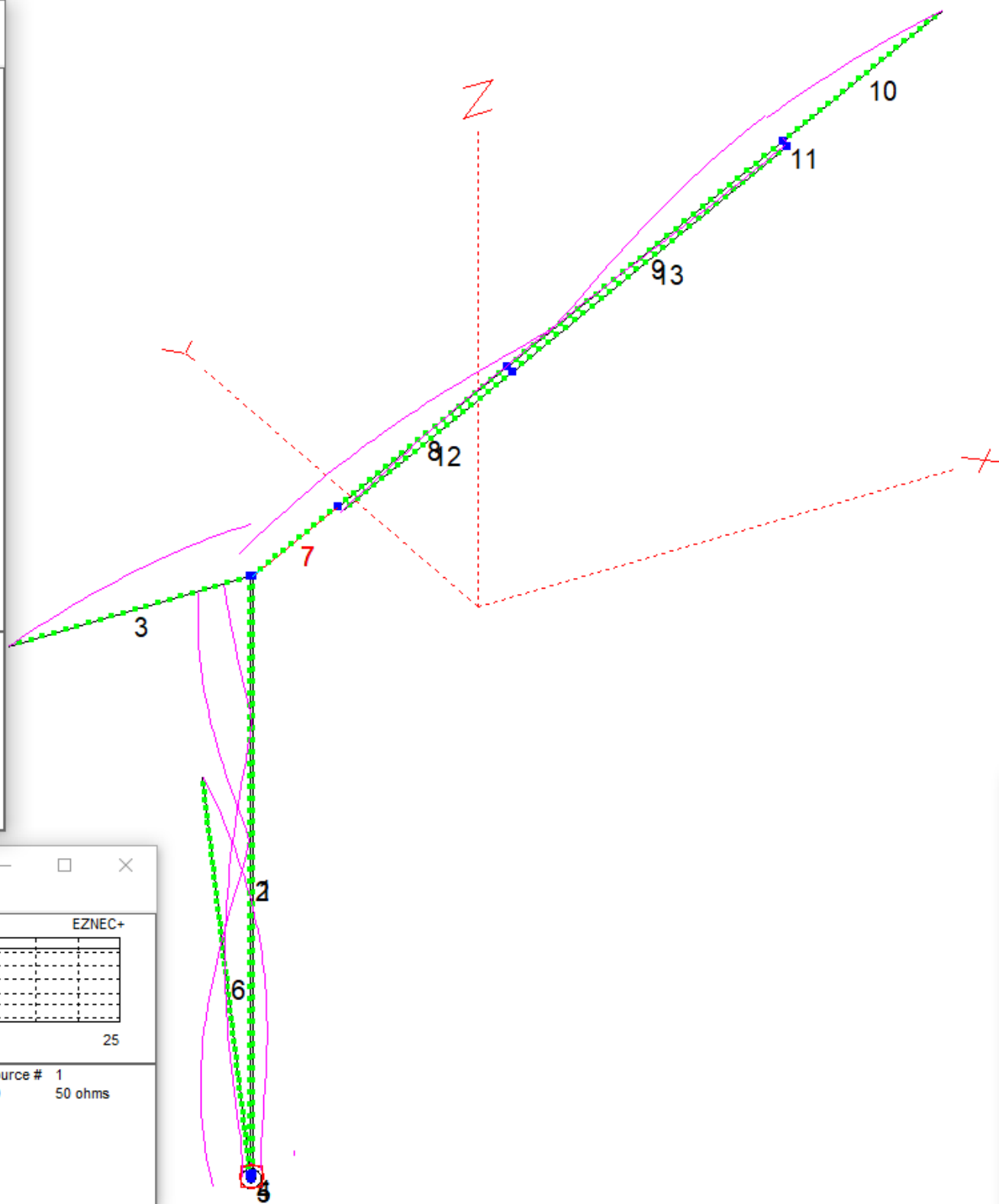
Move Image

X Y Z

Reset

 Center Ant Image


Wire Number 7
Length 1.19125 m
Seg Length 0.108296 m
Diameter 1.5 mm
Insulated



EZNEC+ v. 5.0

File Edit Options Outputs Setups View Utilities Help

Open
Save As
Ant Notes
Currents
Src Dat
Load Dat
FF Tab
NF Tab
SWR
View Ant
NEC-2
FF Plot

G7FEK with 30m tower strung

File	G7FEK 30m and tower strung.ez
Frequency	24.95 MHz
Wavelength	12.0157 m
Wires	13 Wires, 313 segments
Sources	1 Source
Loads	1 Load
Trans Lines	0 Transmission Lines
Transformers	0 Transformers
L Networks	0 L Networks
Ground Type	Real/MININEC
Ground Descrip	1 Medium (0.01, 14)
Wire Loss	Copper
Units	Meters
Plot Type	Elevation
Azimuth Angle	0 Deg.
Step Size	1 Deg.
Ref Level	0 dBi
Alt SWR Z0	75 ohms
Desc Options	