

File Edit View Options Reset

Zoom

Display Current

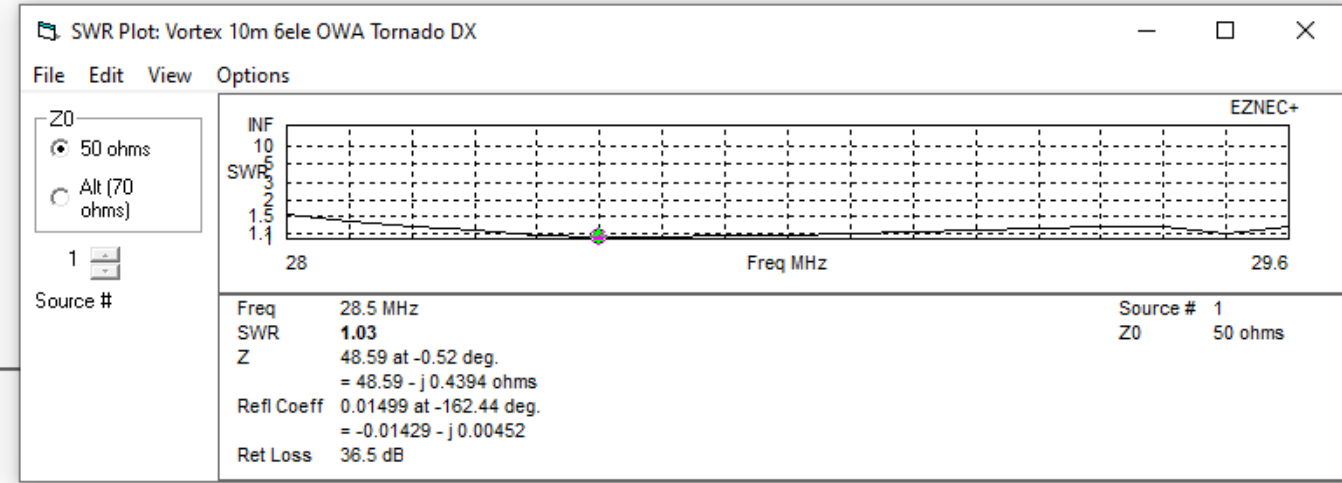
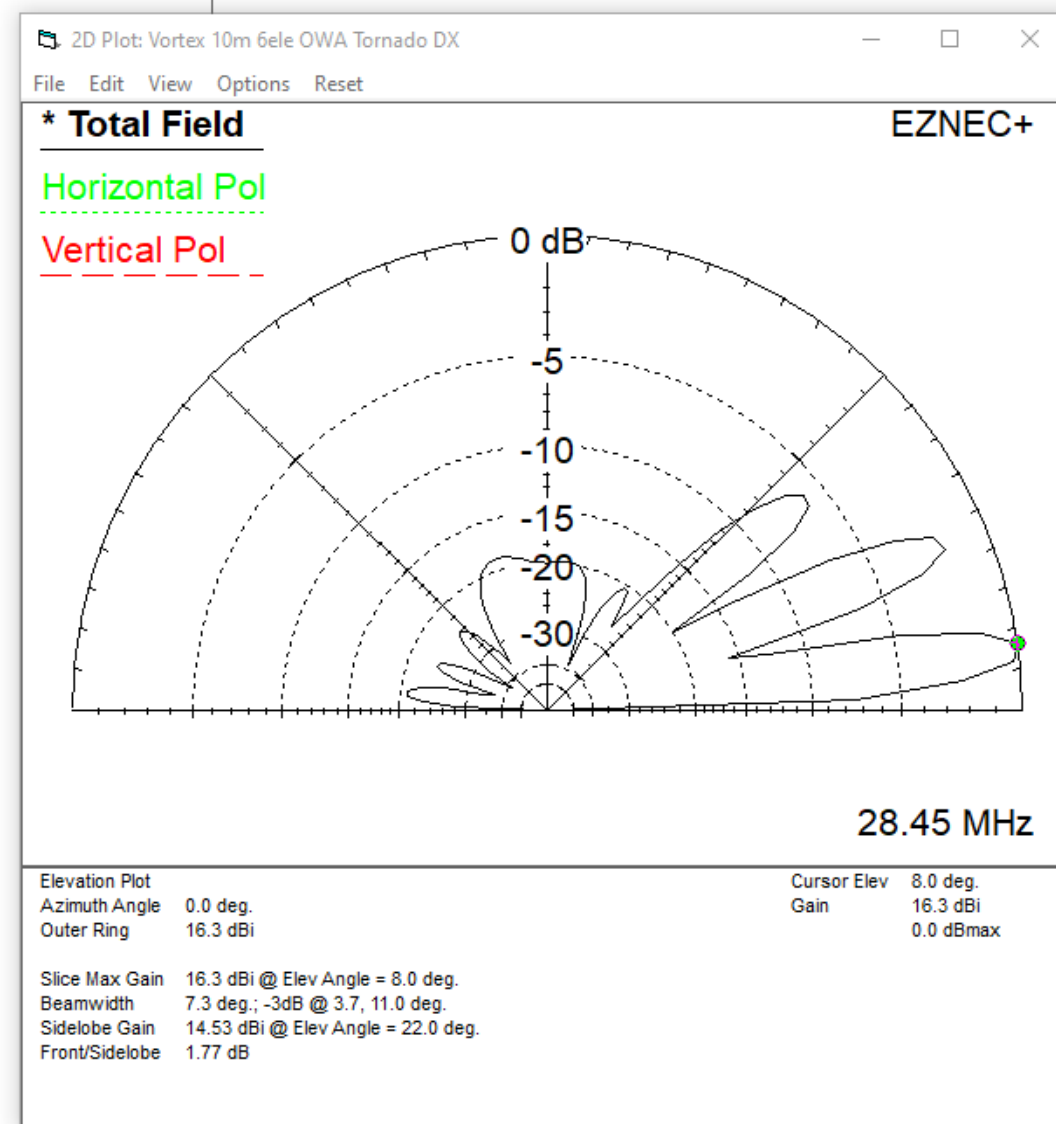
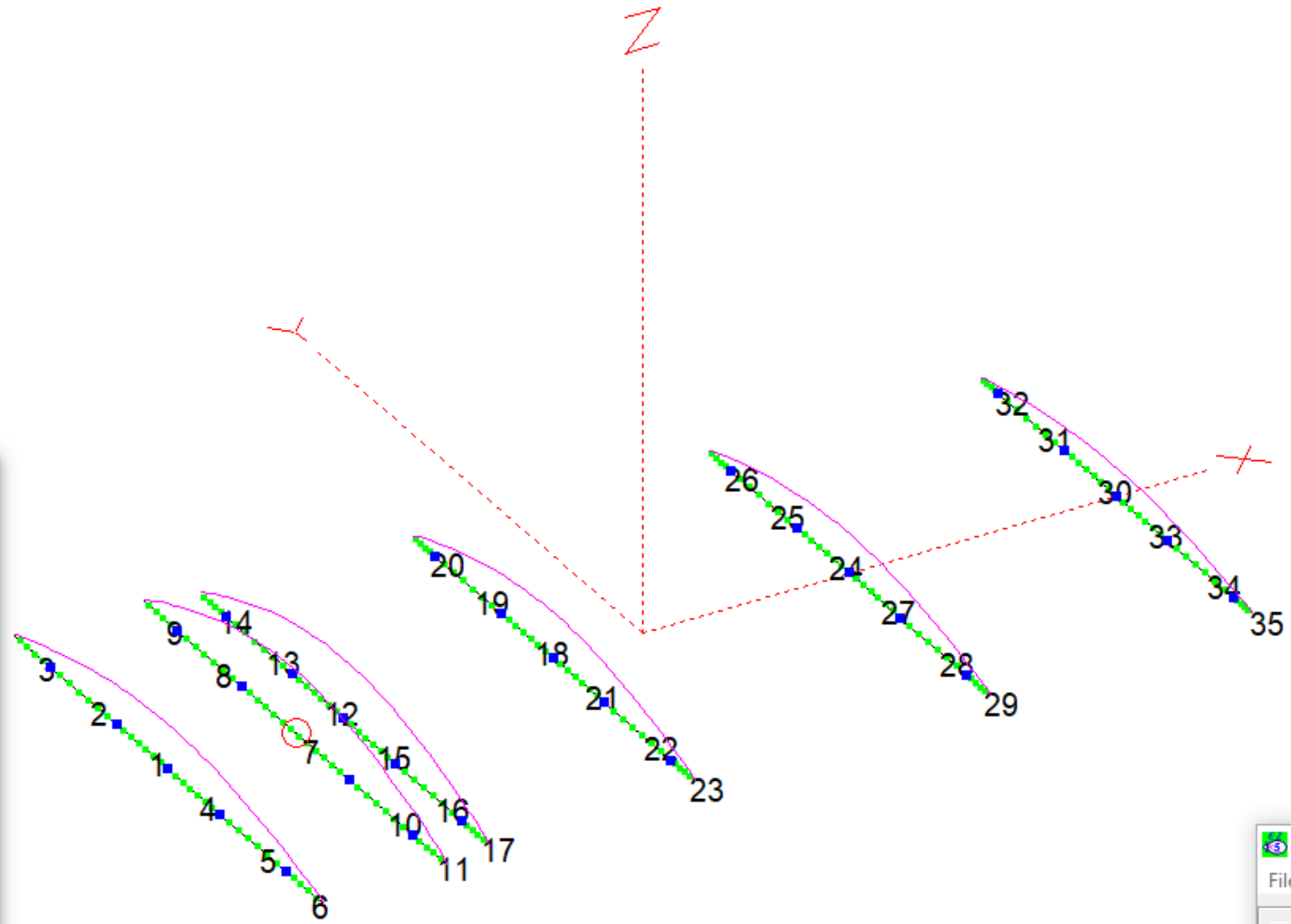
Reset Reset

Move Image

X Y Z

Reset

Center Ant Image



EZNEC+ v. 5.0

File Edit Options Outputs Setups View Utilities Help

Vortex 10m 6ele OWA Tornado DX

- File: 10m 6 ele OWA Tornado DX.EZ
- Frequency: 28.45 MHz
- Wavelength: 10.5375 m
- Wires: 35 Wires, 227 segments
- Sources: 1 Source
- Loads: 0 Loads
- Trans Lines: 0 Transmission Lines
- Transformers: 0 Transformers
- L Networks: 0 L Networks
- Ground Type: Real/High Accuracy
- Ground Descrip: 1 Medium (0.01, 14)
- Wire Loss: Aluminum (6061-T6)
- Units: Meters
- Plot Type: Elevation
- Azimuth Angle: 0 Deg.
- Step Size: 2 Deg.
- Ref Level: 0 dBi
- Alt SWR Z0: 70 ohms
- Desc Options

Open Save As Ant Notes

Currents Src Dat Load Dat FF Tab NF Tab SWR View Ant

NEC-2 FF Plot