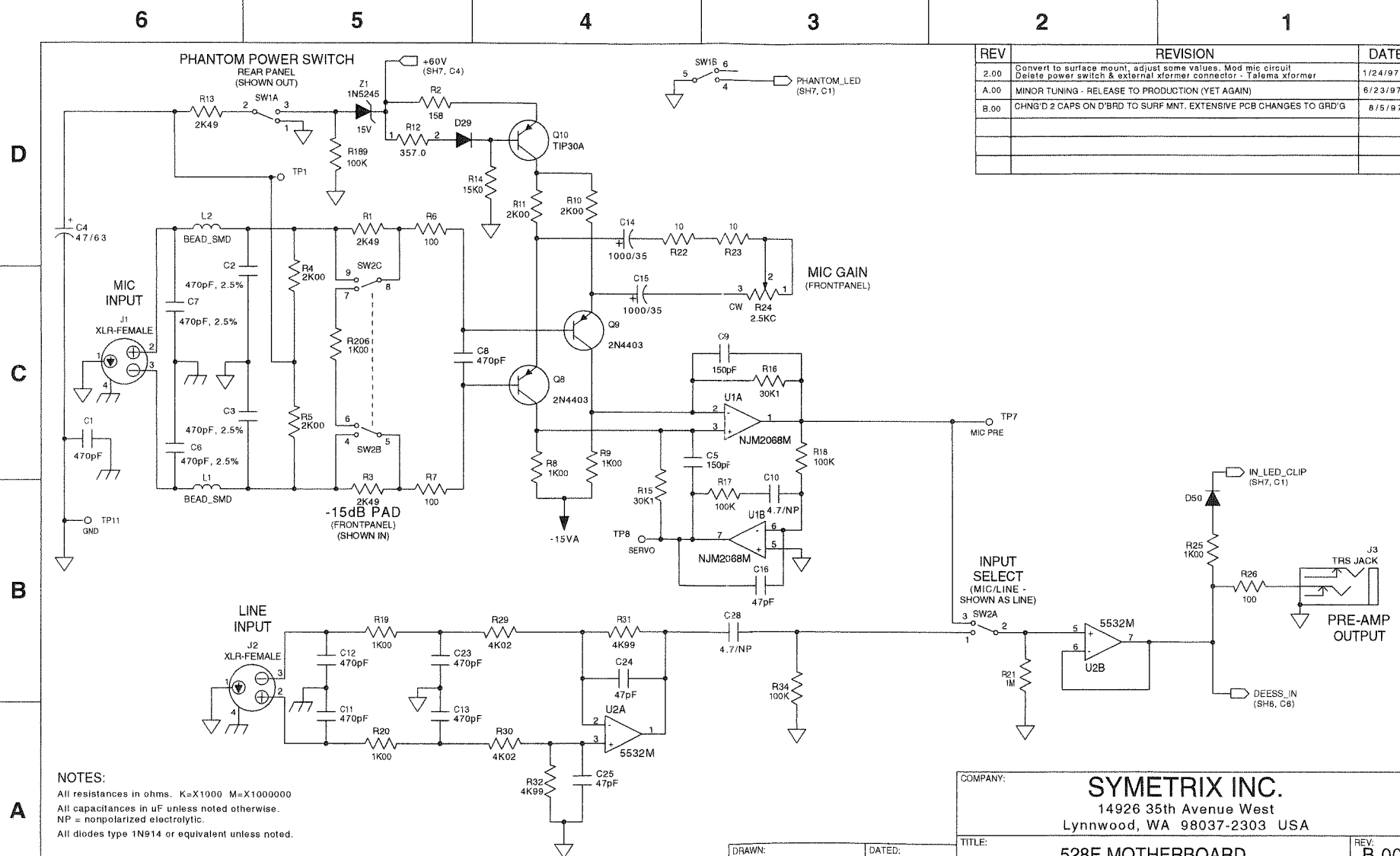
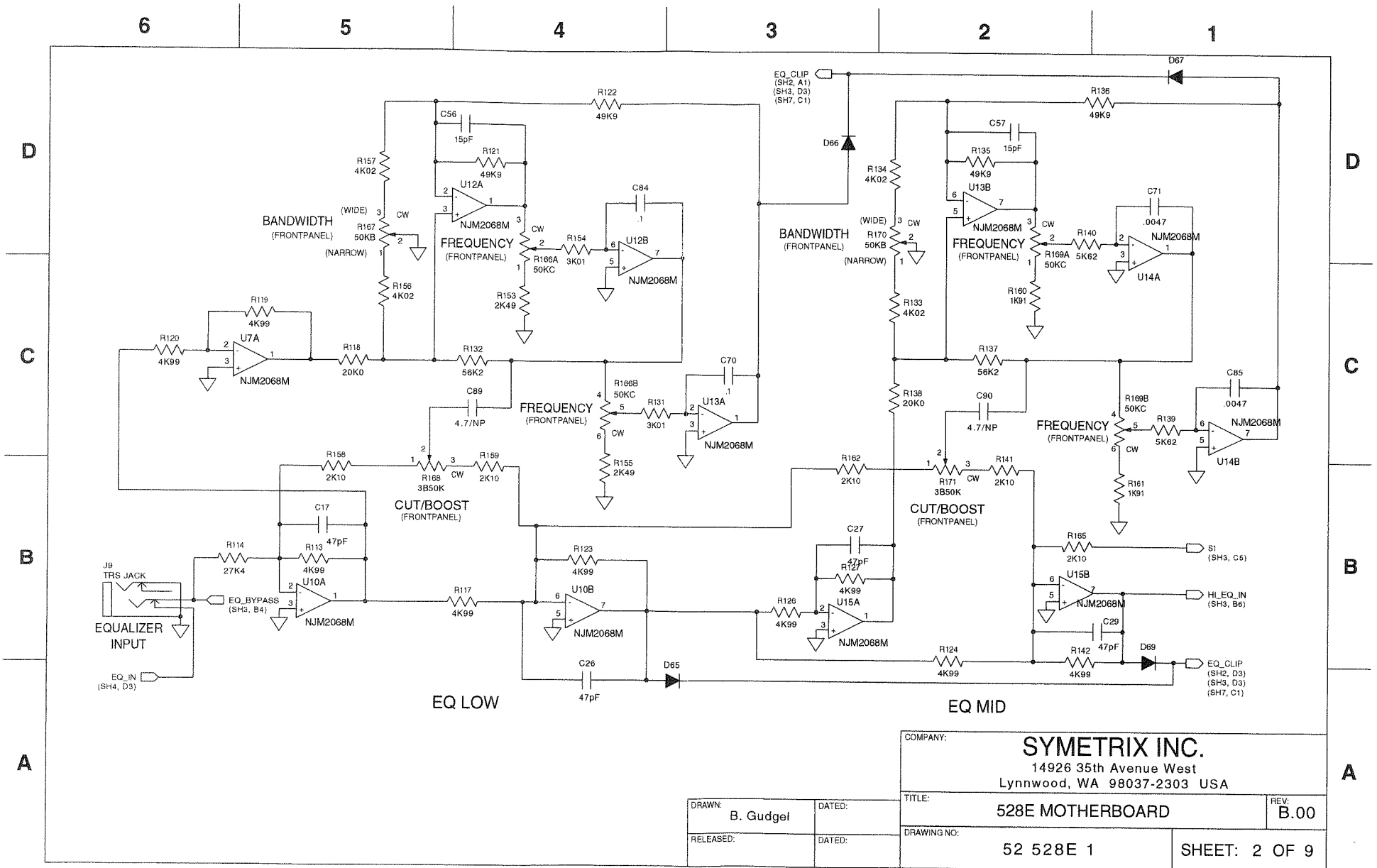


REV	REVISION	DATE
2.00	Convert to surface mount, adjust some values. Mod mic circuit Delete power switch & external xformer connector - Talema xformer	1/24/97
A.00	MINOR TUNING - RELEASE TO PRODUCTION (YET AGAIN)	6/23/97
B.00	CHNG'D 2 CAPS ON D'BRD TO SURF MNT. EXTENSIVE PCB CHANGES TO GRD'G	8/5/97

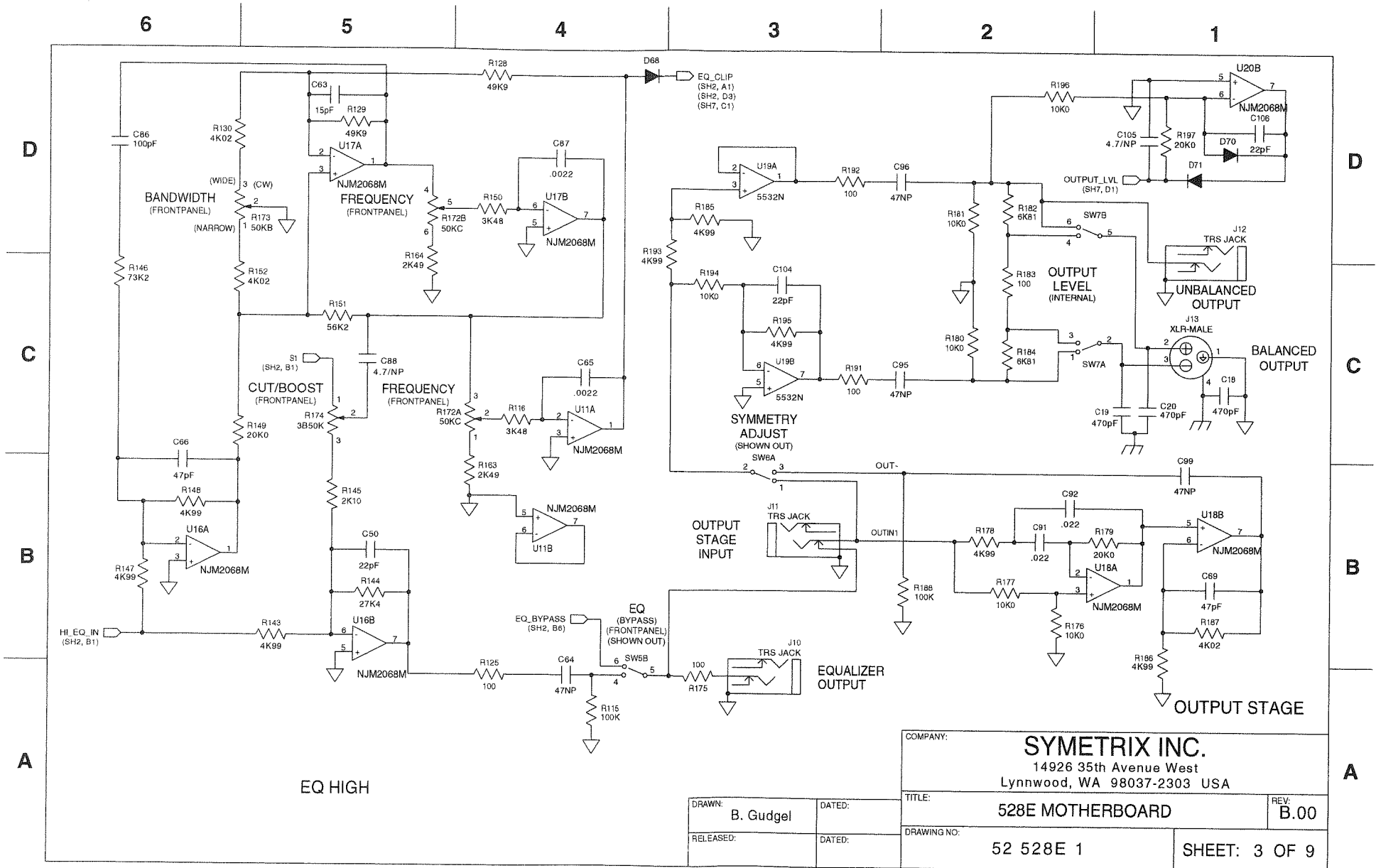


NOTES:
 All resistances in ohms. K=X1000 M=X1000000
 All capacitances in uF unless noted otherwise.
 NP = nonpolarized electrolytic.
 All diodes type 1N914 or equivalent unless noted.

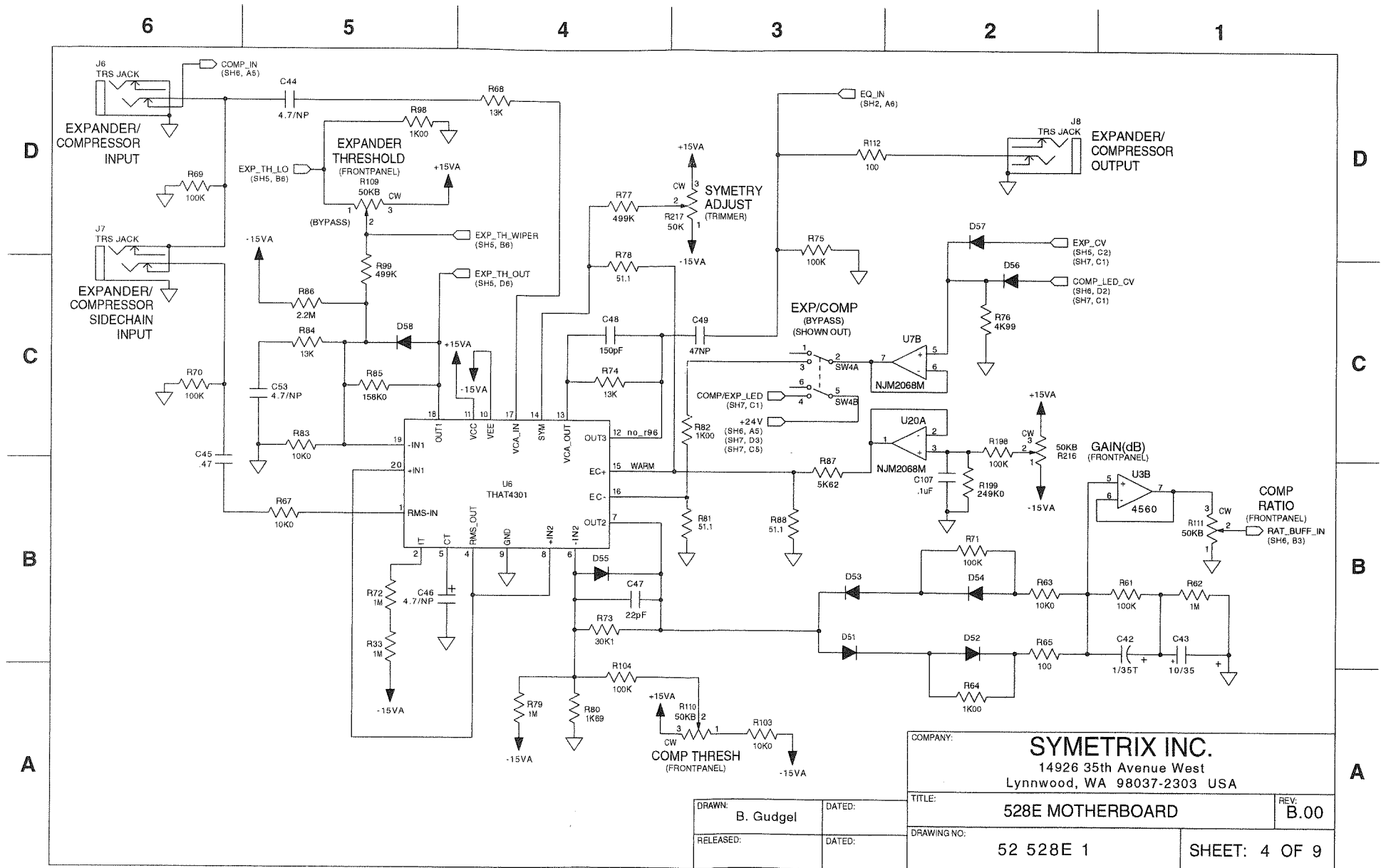
COMPANY:		SYMETRIX INC.	
		14926 35th Avenue West Lynnwood, WA 98037-2303 USA	
DRAWN:	DATED:	TITLE:	REV:
B. Gudgel		528E MOTHERBOARD	B.00
RELEASED:	DATED:	DRAWING NO:	
		52 528E 1	SHEET: 1 OF 9



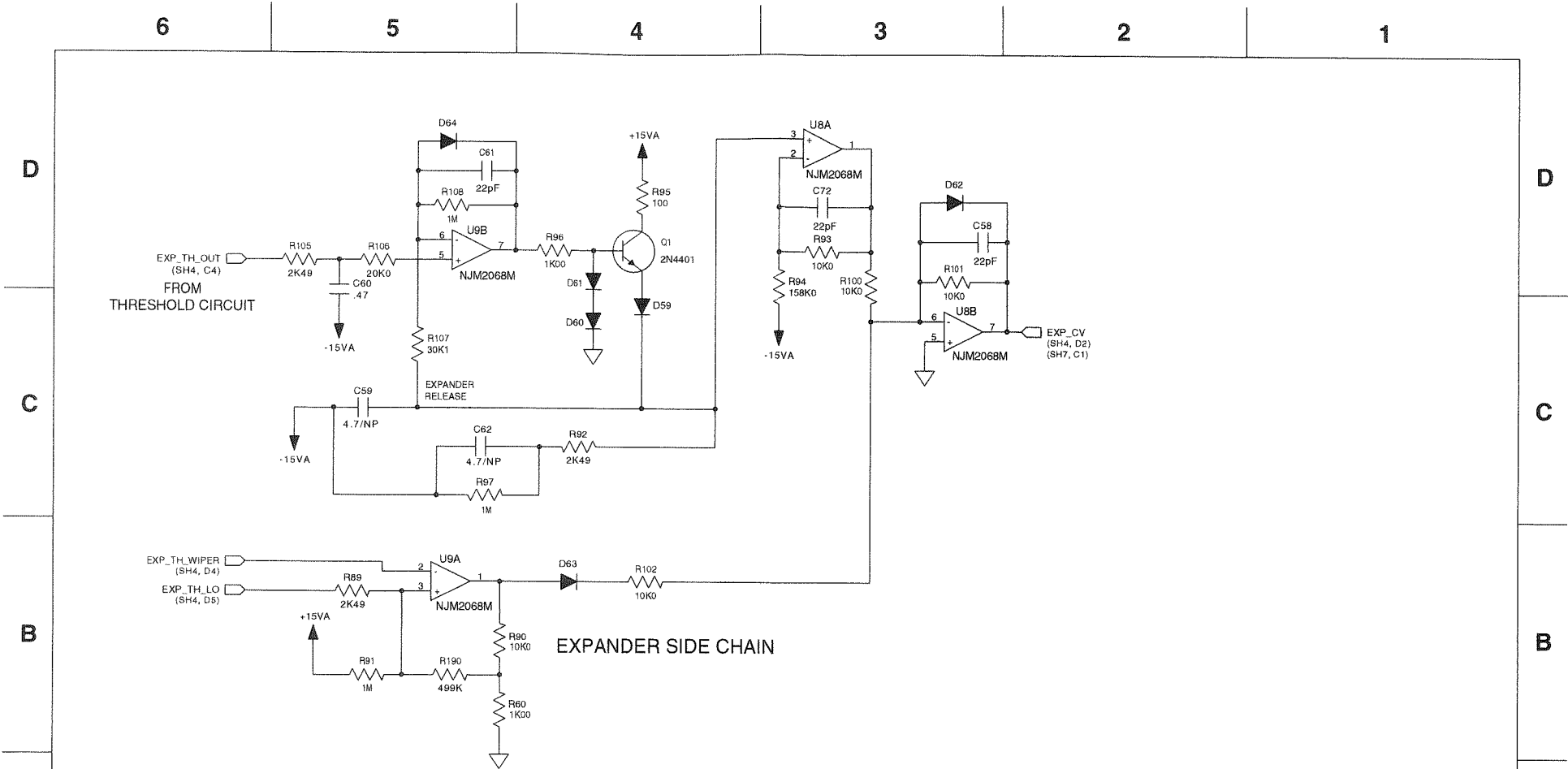
COMPANY:		SYMETRIX INC.	
		14926 35th Avenue West Lynnwood, WA 98037-2303 USA	
DRAWN:		TITLE:	
B. Gudgel		528E MOTHERBOARD	
RELEASED:		DRAWING NO.:	
		52 528E 1	
DATED:		REV:	
		B.00	
DATED:		SHEET: 2 OF 9	



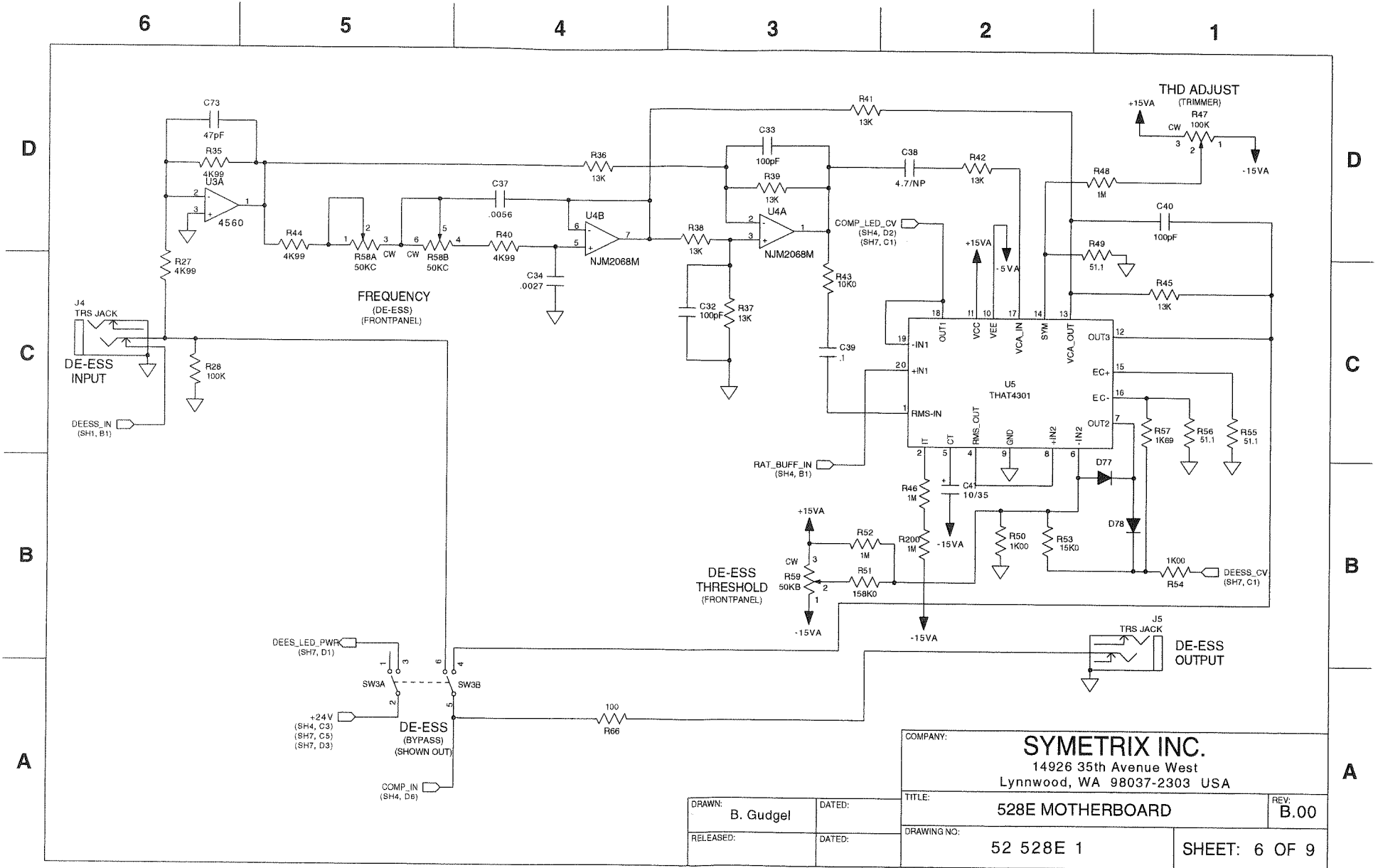
COMPANY:		SYMETRIX INC.	
		14926 35th Avenue West	
		Lynnwood, WA 98037-2303 USA	
DRAWN:	DATED:	TITLE:	REV:
B. Gudgel		528E MOTHERBOARD	B.00
RELEASED:	DATED:	DRAWING NO:	
		52 528E 1	SHEET: 3 OF 9



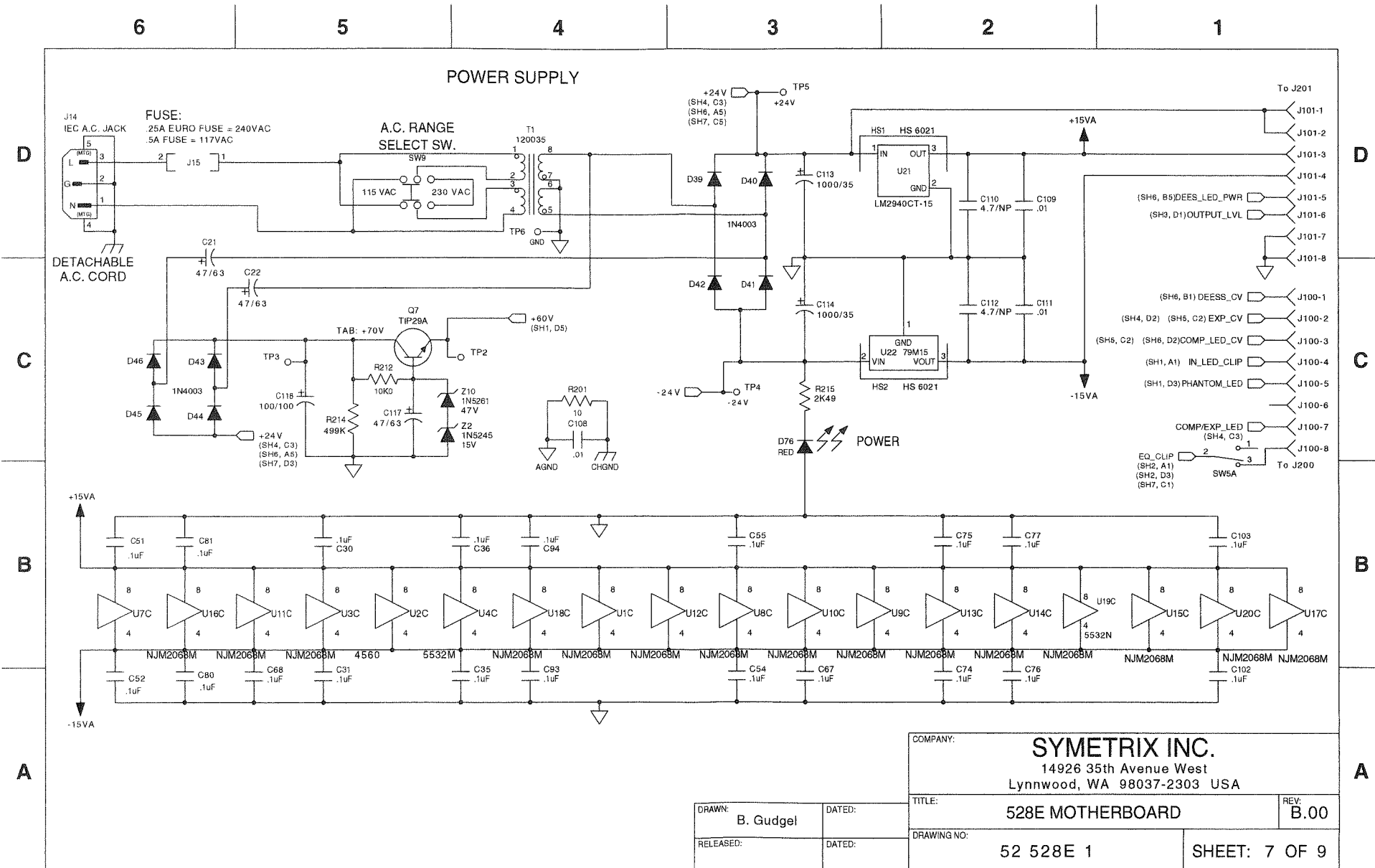
COMPANY:		SYMETRIX INC.	
		14926 35th Avenue West Lynnwood, WA 98037-2303 USA	
DRAWN:	DATED:	TITLE:	REV:
B. Gudgel		528E MOTHERBOARD	B.00
RELEASED:	DATED:	DRAWING NO:	
		52 528E 1	SHEET: 4 OF 9



COMPANY:		SYMETRIX INC.	
		14926 35th Avenue West Lynnwood, WA 98037-2303 USA	
DRAWN:	B. Gudgel	DATED:	
RELEASED:		DATED:	
TITLE:		528E MOTHERBOARD	
DRAWING NO:		52 528 1	
REV:		B.00	
SHEET:		5 OF 9	



COMPANY:		SYMETRIX INC.	
		14926 35th Avenue West Lynnwood, WA 98037-2303 USA	
TITLE:		528E MOTHERBOARD	
DRAWN:		B. Gudgel	
DATED:			
RELEASED:			
DRAWING NO:		52 528E 1	
REV:		B.00	
DATED:			
SHEET:		6 OF 9	



COMPANY:		SYMETRIX INC.	
		14926 35th Avenue West Lynnwood, WA 98037-2303 USA	
DRAWN:	DATED:	TITLE:	REV:
B. Gudgel		528E MOTHERBOARD	B.00
RELEASED:	DATED:	DRAWING NO:	
		52 528E 1	SHEET: 7 OF 9