

**OPERATING MANUAL**  
**MODEL PK-900 DATA CONTROLLER**

**Timewave Technology Inc.**

PROPRIETARY INFORMATION

Reproduction, dissemination or use of information contained herein for purposes other than operation and/or maintenance is prohibited without written authorization from Timewave Technology Inc.

## PREFACE TO THE PK-900 OPERATING MANUAL

Please read this preface in its entirety. It contains information about how to receive warranty service from Timewave and Timewave's software update policy.

### RF Interference Information To User

This equipment has been tested and found to comply with the limits for a class B digital device, pursuant to Part 15 of the FCC Rules. These limits are designed to provide reasonable protection against harmful interference in a residential installation. This equipment generates, uses and can radiate radio frequency energy and, if not installed and used in accordance with Timewave's instructions, may cause interference to radio and TV reception. However, there is no guarantee that interference will not occur in a particular installation. If this equipment does cause interference to radio or TV reception, which can be determined by turning the PK-900 on and off, the user is encouraged to try to correct the interference using one or more of the following measures:

- o Re-orient the antenna of the device receiving interference.
- o Relocate the PK-900 or computer with respect to this device.
- o Plug the PK-900 into a different outlet so the PK-900 and the device are on different branch circuits.

If necessary, the user should consult the dealer or an experienced radio/TV technician for additional suggestions. The user may find "How to Identify and Resolve Radio-TV Interference Problems", a booklet prepared by the FCC, helpful.

To comply with FCC part 15 limits the following must be followed:

- o YOU MUST USE SHIELDED CABLE FOR ALL CONNECTIONS
- o INTERNAL MODIFICATIONS TO THE PK-900 MAY INCREASE RF INTERFERENCE AND VOID THE USERS AUTHORITY TO OPERATE THE UNIT

This PK-900 has been certified under Part 15 of the FCC rules. Operation is subject to the following two conditions:

1. This device may not cause harmful interference.
2. This device must accept any interference received, including that which may cause undesired operation.

As part of its continuing program of product improvement, Timewave reserves the right to make changes in this product's specifications or documentation. There may be inaccuracies or typographical errors in this document. Please address comments and corrections to Timewave Technology Inc., 501 W. Lawson Ave, St. Paul, MN 55117-4771. Timewave reserves the right to incorporate and issue any information thus supplied in whatever manner it deems suitable without incurring any obligations whatsoever.

Copyright Timewave Technology Inc., 2002. All rights reserved.  
No part of this manual may be reproduced or used in any form or by any means without prior written permission from the copyright owner.

## Welcome

Congratulations!! You've purchased another fine Timewave product. PLEASE, before we go any further, may we ask you to FILL OUT AND RETURN the Warranty Registration Card, which has been packed with your PK-900.

## Product Update Policy

From time to time Timewave may make available updates to the design of its products. We can only tell you about these updates if we have your warranty card on file. PLEASE SEND IT IN if you have not already done so.

## In Case of Trouble

Application and troubleshooting assistance may be obtained by calling Timewave during our 8:00- 5:00 working hours in St. Paul, MN. Ask for the Technical Support Department. The phone number is (651) 489-5080. Please have your PK-900's serial number and version date of the software available. The version date is on the first screen that comes up when you turn on the PK-900. We will also need to know the nature of any other equipment connected to the PK-900.

You may wish to attempt to solve problems locally, using other hams or an Timewave dealer. A helpful Amateur with equipment similar to your own may literally be just around the corner. Substituting another PK-900 or Data Controller that you know is working properly for your questionable one is a diagnostic technique that will check out the rest of your station. You may also try running your PK-900 in another station if possible.

Timewave provides email Technical Support for its line of amateur radio equipment.

Email addresses are: [techsupport@timewave.com](mailto:techsupport@timewave.com) and [service@timewave.com](mailto:service@timewave.com)

If you call for assistance, please have your PK-900 up and running beside the phone. Our Support technician will likely ask you to perform certain keyboard routines to aid in diagnosis. If you have a voltmeter handy, you might have the PK-900 open so you can report measurements to the technician.

Many of the Timewave products that are sent to us for repair are in perfectly good order when we receive them. There is a test and alignment charge for units returned to us in working order. Please perform whatever steps are applicable from the installation sections of this manual to insure that there is a problem.

PLEASE DO NOT RETURN THE PK-900 TO US WITHOUT CONTACTING US FOR PERMISSION AND AN RMA NUMBER. WE WOULD LIKE THE OPPORTUNITY TO TROUBLESHOOT THE PROBLEM OVER THE PHONE FIRST, SAVING YOU BOTH TIME AND MONEY.

If the unit must be sent in, we will give you a Return to Manufacturer Authorization (RMA) number over the telephone. This number allows us to track your unit and provide you with its status. Please write this number on the outside of the box so we may process your unit as quickly as possible.

If you send us the PK-900 by UPS it must be sent to the street address - not the post office box number. The street address is:

Timewave Technology Inc.  
1025 Selby Ave., Suite 101  
St. Paul, MN 55104 USA

Attn. Technical Support  
RMA # S????????? (obtain by telephone or email from Timewave)

We will need YOUR street address for UPS return - be sure to send it. Please include your daytime telephone number in case we need to contact you for further information.

UPS Gound (Brown Label) takes 5-6 days, Blue takes 2-3 days. Red is an overnight service and is expensive. Send the PK-900 in a way that it can be traced if we cannot verify receipt of shipment. We suggest UPS or FEDEX.

If the PK-900 is still under the original owner's warranty, Tmewave will pay the cost of the return shipment to you. The current policy is that it will be returned UPS Ground (Brown).

The PK-900 may be returned as the owner states in his letter if he furnishes the return cost for the method he selects.

Typically, we will service the product in five to ten working days after it has arrived at Timewave if we have all the facts. If we must call you, it may take longer. PLEASE include a letter stating the problem and where you can be reached by telephone. If you can be reached by phone in the evening on the East Coast, let us know the number. Our current rate for non-warranty service of the PK-900 is based on time and material and return shipping. Timewave is not responsible for damage such as caused by lightning, nonprofessional alterations, poor storage/handling, etc. We will make note of any shipping damage upon receipt. See the inside back cover for Warranty information.

Should your warranty card not be on file at Timewave, you need to send the proof of purchase date to receive warranty service. Typically a copy of your bill of sale from an Timewave dealer will suffice.

The warranty is for the original owner only and is not transferable.

TABLE OF CONTENTS

CHAPTER 1 - INTRODUCTION

Paragraph		Page
1.1	Overview.....	1-1
1.1.1	Capabilities.....	1-1
1.1.2	Included Components.....	1-1
1.2	Computer or Computer Terminal Requirements.....	1-2
1.3	Station Requirements.....	1-2
1.3.1	System Transmitter-Receiver Performance Requirements..	1-2
1.4	PK-900 Specifications.....	1-3
1.4.1	Modem Characteristics.....	1-3
1.4.2	Processor System.....	1-3
1.4.3	Input/Output Connections.....	1-4
1.4.4	Controls and Indicators.....	1-4
1.4.5	General.....	1-4

CHAPTER 2 - COMPUTER INSTALLATION

2.1	Overview.....	2-1
2.1.1	Equipment Required.....	2-1
2.2	Unpacking the PK-900.....	2-1
2.2.1	Connecting Power.....	2-2
2.3	Connecting Your Computer or Computer Terminal.....	2-3
2.3.1	IBM-PC/XT/AT and Compatibles.....	2-3
2.3.2	Apple Macintosh Series of Computers.....	2-3
2.3.3	Commodore 64 and 128 Computers.....	2-3
2.3.4	Computer Terminal.....	2-4
2.4	Setting Up Your Communications or Terminal Software Program	2-4
2.4.1	Terminal Programs for IBM-PCs and Compatibles.....	2-4
2.4.2	Terminal Programs for the Apple Macintosh.....	2-5
2.4.3	Terminal Programs for the Commodore 64, 64C and 128...	2-5
2.5	System Startup and Loop-back Test.....	2-6
2.6	Detailed RS-232 Connections for Other Computers.....	2-9
2.6.1	Apple II Series.....	2-9
2.6.2	Commodore C-64, C-128 and Vic 20.....	2-9
2.6.3	IBM PCjr.....	2-9
2.6.4	Tandy Color Computer.....	2-10
2.6.5	Tandy Model 100/102 and NEC 8201.....	2-10
2.6.6	Other Computers with RS-232-C Ports.....	2-10
2.6.7	Other Computers with Non-Standard Serial Ports.....	2-11
2.7	Terminal (Modem) Software for Other Computers.....	2-11
2.7.1	Terminal Programs for the Apple II, II+, IIE and IIC..	2-12
2.7.2	Terminal Programs for the Commodore Vic 20.....	2-12
2.7.3	Terminal Program for the IBM PCjr.....	2-12
2.7.4	Terminal Programs for the Tandy Color Computer.....	2-12
2.7.5	Terminal Programs for the Tandy 100/102 and NEC 8201..	2-12

## CHAPTER 3 - RADIO INSTALLATION

Paragraph		Page
3.1	Overview.....	3-1
3.1.1	Equipment Required.....	3-1
3.2	Receive-Only Radio Connections.....	3-1
3.3	Transmit and Receive Radio Connections.....	3-2
3.3.1	Transceiver's Microphone or Accessory Connector?.....	3-2
3.3.2	Connections for Specific Transceivers.....	3-2
3.3.3	Check Your Transceiver's Operating Manual.....	3-3
3.3.4	Specific Connection Points.....	3-3
3.3.5	Begin Assembling your Radio Cable.....	3-4
3.3.5.1	Prepare the Radio Cable.....	3-4
3.3.5.2	Verify the Connection Points with Your Manual....	3-4
3.3.5.3	Prepare the Connector.....	3-4
3.3.5.4	Wire the Connector.....	3-4
3.3.6	Wiring Your HF Transceiver for Direct CW Keying.....	3-6
3.3.7	Connections for Direct FSK Operation on RTTY.....	3-6
3.4	PK-900 Configuration Jumpers and Connections.....	3-7
3.4.1	Push-To-Talk (PTT) Configuration.....	3-7
3.4.2	PK-900 Connections.....	3-8
3.5	Transceiver Adjustments.....	3-8
3.5.1	FM Transceiver Final Adjustments.....	3-8
3.5.2	SSB Transceiver Final Adjustments.....	3-10
3.6	Oscilloscope Connections.....	3-12

## CHAPTER 4 - PACKET RADIO

4.1	Overview.....	4-1
4.1.1	Getting Started.....	4-1
4.1.2	Making the Loopback Connection.....	4-1
4.2	Packet Introduction.....	4-2
4.3	VHF/UHF Packet Operation.....	4-4
4.3.1	What You Should See.....	4-6
4.3.2	What It Means.....	4-6
4.3.3	What Happens When You Connect.....	4-9
4.3.3.1	Standard TNCs.....	4-9
4.3.3.2	Mailbox Message Systems.....	4-9
4.3.3.3	Packet Switches.....	4-10
4.3.4	Who Can I Talk To?.....	4-12
4.3.5	Your First Real Connect.....	4-12
4.3.6	I'm Having Trouble Connecting.....	4-13
4.4	More Packet Features.....	4-14
4.4.1	LCD Status and Mode Indicators.....	4-14
4.4.2	Automatic Greetings.....	4-16
4.4.3	Beacon Operation.....	4-17
4.4.4	Digipeater Details.....	4-17
4.4.4.1	Are You a Digipeater?.....	4-18
4.4.5	Monitoring Other Stations.....	4-18
4.4.5.1	Monitoring the Packet Networking Switches.....	4-19
4.4.5.2	Monitoring Other Stations While Connected.....	4-19
4.4.5.3	Selective Monitoring.....	4-19
4.4.5.4	The MFILTER Command.....	4-20
4.4.5.5	Monitor Without Callsign Headers.....	4-19
4.4.5.6	MSTAMP, The Monitor Time-Stamp Command.....	4-20
4.4.6	Packet Connects.....	4-20

CHAPTER 4 - PACKET RADIO (Continued)

Paragraph		Page
4.4.6.1	Time-Stamping Connects.....	4-20
4.4.6.2	Connect Alarm.....	4-20
4.4.7	Packet Formatting and Editing.....	4-21
4.4.7.1	Carriage Returns and Linefeeds in Packets.....	4-20
4.4.7.2	Canceling Lines and Packets.....	4-21
4.4.7.3	Redisplay.....	4-21
4.4.7.4	The PASS Character.....	4-21
4.4.8	Packet Transmit Timing.....	4-22
4.4.8.1	TXDELAY and AUDELAY.....	4-22
4.4.8.2	AXDELAY and AXHANG.....	4-22
4.5	Packet Protocol Basics.....	4-23
4.5.1	Unconnected Packets.....	4-23
4.5.2	Connected Packets.....	4-23
4.5.3	FRACK and RETRY.....	4-23
4.5.4	PACLEN and MAXFRAME.....	4-24
4.5.5	Reducing Errors Through Collision Avoidance.....	4-24
4.5.6	CHECK and RELINK.....	4-24
4.6	Multiple Connection Operation.....	4-25
4.6.1	Multiple Connection Description.....	4-25
4.6.2	The Channel Switching Character.....	4-25
4.6.3	Will You Accept Multiple Connects.....	4-26
4.6.4	Display Multiple Connected Callsigns.....	4-26
4.6.5	Doubling Received CHSWITCH Characters.....	4-26
4.6.6	Checking Your Connect Status with the CSTATUS Command.	4-26
4.6.7	The MULT LCD.....	4-26
4.7	HF Packet Operation.....	4-26
4.7.1	Where to Operate HF Packet.....	4-27
4.7.2	PK-900 HF Packet Settings.....	4-27
4.7.3	HF Receiver Settings.....	4-27
4.7.4	Tuning in HF Packet Stations.....	4-27
4.7.5	Transmitter Adjustments.....	4-29
4.7.6	Going On The Air.....	4-29
4.8	Controlling the Radio Ports.....	4-30
4.8.1	Selecting and Loading Modems.....	4-30
4.8.2	Displaying Received Data.....	4-31
4.8.3	Controlling Your Transmitted Text.....	4-32
4.8.3.1	Define the Channel Switching Character CHSWITCH..	4-32
4.8.3.2	Switching Between Radio Ports.....	4-33
4.8.3.3	More Thoughts on Port Switching.....	4-35
4.9	Advanced Packet Operation.....	4-36
4.9.1	Transparent Mode.....	4-36
4.9.2	Gateway Operation.....	4-36
4.9.3	Sending 8-bit Data in Converse Mode.....	4-37
4.9.4	The Packet QRA Feature.....	4-37
4.9.5	The CFROM Command.....	4-37
4.9.6	Operating in Full-Duplex.....	4-37
4.9.7	Identifying as a Digipeater.....	4-37
4.9.8	Digipeater Alias Callsign.....	4-37
4.9.9	Morse ID in Packet.....	4-38
4.9.10	Sharing Packet Channels With Voice Operation.....	4-38
4.9.11	Disabling Transmit Operation.....	4-38
4.10	Seldom Used Commands.....	4-38

## CHAPTER 4 - PACKET RADIO (Continued)

Paragraph		Page
4.11	Packet Lite HF Packet Protocol Extension.....	4-38
4.11.1	Enabling Packet Lite.....	4-39
4.11.2	Compatibility With Standard AX.25 Stations.....	4-39
4.11.3	Packet Lite Protocol Enhancement Summary.....	4-40
4.12	Packet Meteor Scatter Extension.....	4-42

## CHAPTER 5 - MAILDROP OPERATION

5.1	Overview of PakMail Operation.....	5-1
5.1.1	RAM Space for Message Storage.....	5-1
5.1.2	System Commands.....	5-1
5.1.3	Your MailDrop Callsign.....	5-1
5.1.4	Start and Stop MailDrop Operation.....	5-1
5.2	Local Logon.....	5-2
5.2.1	Monitor MailDrop Operation.....	5-2
5.2.2	Caller Prompts.....	5-2
5.3	SYSOP MailDrop Commands.....	5-3
5.4	Remote User MailDrop Commands.....	5-3
5.4.1	A (ABORT).....	5-3
5.4.2	B (BYE).....	5-4
5.4.3	E (Edit #).....	5-4
5.4.4	H (HELP).....	5-4
5.4.5	J (JLOG).....	5-5
5.4.6	K n (KILL n [Mine]).....	5-5
5.4.7	L (LIST [Mine]).....	5-5
5.4.8	R n (READ n [Mine]).....	5-5
5.4.9	S callsign (SEND callsign).....	5-5
5.4.9.1	Sending Other Types of Messages with SEND.....	5-6
5.4.10	V (VERSION).....	5-7
5.4.11	? (HELP).....	5-7
5.5	Sample MailDrop Session - The Remote User's Point of View..	5-7
5.5.1	Connect and Logon.....	5-8
5.5.2	LIST Messages.....	5-8
5.5.3	READ Messages.....	5-8
5.5.4	KILL Messages.....	5-8
5.5.5	SEND Messages.....	5-9
5.5.6	Log Off and Disconnect.....	5-9
5.6	Sample MailDrop Session - MailDrop SYSOP's Point of View...	5-10
5.6.1	Message Numbers.....	5-11
5.7	Auto-Forwarding with the PK-900 MailDrop.....	5-11
5.7.1	MailDrop Settings for Auto-Forwarding.....	5-11
5.7.2	Entering a Message for Reverse Forwarding.....	5-12



## CHAPTER 6 - BAUDOT AND ASCII RTTY OPERATION

Paragraph		Page
6.1	Overview.....	6-1
6.2	Where to Operate Baudot and ASCII RTTY.....	6-1
6.2.1	PK-900 Baudot RTTY Parameter Settings.....	6-1
6.2.2	HF Receiver Settings.....	6-2
6.2.3	Tuning in Baudot and ASCII Stations.....	6-2
6.3	Transmitter Adjustments.....	6-4
6.3.1	Going On The Air.....	6-4
6.4	A Typical Baudot RTTY Contact.....	6-4
6.4.1	Calling CQ.....	6-5
6.4.2	Answering a CQ.....	6-5
6.5	Baudot RTTY Operating Tips.....	6-5
6.5.1	Changing Speed.....	6-6
6.5.2	Formatting Your Transmitted and Received Text.....	6-6
6.5.3	Sending a Synchronous Idle or DIDDLE.....	6-7
6.5.4	Echoing Transmitted characters As Sent.....	6-7
6.5.5	Sending Only Complete Words.....	6-7
6.5.6	Operating on the Wrong Sideband.....	6-7
6.5.7	Framing Errors.....	6-7
6.5.8	UnShift-On-Space (USOS).....	6-7
6.5.9	Operating at Commercial or VHF Wide RTTY Shifts.....	6-8
6.5.10	The CODE Command for International RTTY Compatibility.....	6-8
6.5.11	Copying Encoded RTTY Transmissions.....	6-8
6.6	ASCII RTTY Operation.....	6-8
6.6.1	Starting ASCII Operation.....	6-8
6.6.2	ASCII RTTY Operating Tips.....	6-9
6.6.3	Changing ASCII Baud Rates.....	6-9
6.6.4	Operating at Commercial or Wide ASCII RTTY Shifts.....	6-10
6.6.5	Other RTTY Commands for ASCII Operation.....	6-10
6.7	Simultaneous RTTY and Packet Operation.....	6-10
6.7.1	Selecting Modems.....	6-11
6.7.2	Displaying Received Data.....	6-12
6.7.3	Switching Between Ports.....	6-12
6.7.4	More Thoughts on Port Switching.....	6-14

CHAPTER 7 - AMTOR AND NAVTEX OPERATION

Paragraph		Page
7.1	Overview.....	7-1
7.2	Where to Operate AMTOR.....	7-1
7.2.1	PK-900 AMTOR Parameter Settings.....	7-1
7.2.2	Entering Your SElective CALling Code (MYSELCAL).....	7-1
7.2.3	Entering Your SElective CALling Code (MYIDENT).....	7-2
7.2.4	Enter the AMTOR Mode.....	7-2
7.2.5	HF Receiver Settings.....	7-2
7.2.6	Tuning in AMTOR Stations.....	7-3
7.3	Transmitter Adjustments.....	7-5
7.3.1	Going On The Air.....	7-5
7.3.2	Calling CQ in FEC AMTOR.....	7-5
7.3.3	Answering an FEC AMTOR CQ.....	7-6
7.3.4	ARQ AMTOR Operating Fundamentals.....	7-6
7.3.5	Ending an ARQ AMTOR Contact.....	7-6
7.3.6	LCD Status and Mode Indicators.....	7-7
7.4	AMTOR Operating Tips.....	7-8
7.4.1	ARQ Break-In (ACHG Command).....	7-8
7.4.2	Entering Your Auto-AnswerBack (AAB).....	7-8
7.4.3	Operating AMTOR with Other Modems and Shifts.....	7-9
7.4.4	Speed Change Not Permitted.....	7-9
7.4.5	Echoing Transmitted Characters as Sent (EAS).....	7-9
7.4.6	Sending Only Complete Words (WORDOUT).....	7-9
7.4.7	Operating on the Wrong Sideband.....	7-10
7.5	Monitoring ARQ AMTOR Contacts with ALIST.....	7-10
7.6	AMTOR MailDrop Operation.....	7-10
7.6.1	Special Operation Considerations.....	7-10
7.6.2	Settings For AMTOR MailDrop Operation.....	7-11
7.6.3	Starting AMTOR MailDrop Operation.....	7-11
7.6.4	Local Logon to the MailDrop.....	7-11
7.6.4.1	Remote Logon to your AMTOR MailDrop.....	7-11
7.6.5	Caller Prompts.....	7-12
7.6.6	Monitor MailDrop Operation.....	7-13
7.6.7	SYSOP MailDrop Commands.....	7-13
7.6.8	Remote User MailDrop Commands.....	7-13
7.6.8.1	A (ABORT) (Remote only).....	7-13
7.6.8.2	B (BYE).....	7-13
7.6.8.3	H (HELP).....	7-13
7.6.8.4	J (JLOG) (Remote Only).....	7-13
7.6.8.5	K n (KILL n [Mine]).....	7-13
7.6.8.6	L n (LIST [Mine]).....	7-14
7.6.8.7	R n (READ n [Mine]).....	7-14
7.6.8.8	S callsign (SEND callsign).....	7-14
7.7	Simultaneous AMTOR and Packet Operation.....	7-14
7.7.1	Selecting Modems.....	7-15
7.7.2	Displaying Received Data.....	7-16
7.7.3	Switching Between Ports.....	7-16
7.7.4	More Thoughts on Port Switching.....	7-18
7.7.5	Dual Port AMTOR/Packet MailDrop Operation.....	7-18
7.7.5.1	Packet MailDrop Command Settings.....	7-19
7.7.5.2	AMTOR MailDrop Command Settings.....	7-19
7.7.5.3	Dual Port MailDrop Operation Notes.....	7-19
7.8	AMTOR Switching-Time Considerations.....	7-19
7.8.1	Suggested AMTOR Operating Settings.....	7-20
7.8.2	Possible Areas for AMTOR Performance Improvement.....	7-20
7.9	NAVTEX Operation.....	7-21

## CHAPTER 8 - MORSE OPERATION

Paragraph		Page
8.1	Overview.....	8-1
8.2	Where to Operate Morse.....	8-1
8.2.1	Entering the Morse Mode.....	8-1
8.2.2	HF Receiver Settings.....	8-1
8.2.3	Tuning in Morse Stations.....	8-1
8.3	Going On The Air.....	8-2
8.3.1	A Typical Morse Contact.....	8-3
8.4	Morse Operating Tips.....	8-3
8.4.1	The PK-900 Morse Modem.....	8-4
8.4.2	Speed Change (MSPEED).....	8-4
8.4.3	Echoing Transmitted Characters As Sent (EAS).....	8-4
8.4.4	Sending Only Complete Words (WORDOUT).....	8-4
8.4.5	Speed Lock (LOCK).....	8-4
8.5	Special Morse Characters.....	8-5
8.6	Morse Code Practice.....	8-5

## CHAPTER 9 - FACSIMILE (FAX) OPERATION

9.1	Overview.....	9-1
9.1.1	Facsimile.....	9-1
9.1.2	Slow Scan Television.....	9-2
9.2	Finding FAX Frequencies.....	9-2
9.2.1	Finding SSTV Frequencies.....	9-3
9.3	FAX and SSTV Analog Signal Operation.....	9-3
9.4	Black & White FAX Operation.....	9-4
9.4.1	HF Receiver Settings.....	9-4
9.4.2	Tuning In HF Facsimile Stations.....	9-4
9.4.3	PK-900 Facsimile Parameter Settings.....	9-5
9.5	Receiving Facsimile Broadcasts.....	9-5
9.6	Facsimile Operating Tips.....	9-6
9.6.1	Setting PRTYPE .....	9-6
9.6.2	Printing Direction (LEFTRITE).....	9-6
9.6.3	Inverting Black and White (FAXNEG).....	9-7
9.6.4	Display Density (GRAPHICS).....	9-7
9.7	Displaying Other Services.....	9-7
9.7.1	The PK-900 FAX Modem.....	9-7
9.8	Transmitting FAX.....	9-7
9.9	Adjusting the PK-900 4.0 MHz Master Oscillator.....	9-8

## CHAPTER 10 - SIGNAL IDENTIFICATION AND TDM OPERATION

Paragraph		Page
10.1	Overview.....	10-1
10.2	SIAM Operation.....	10-1
10.2.1	Tuning In FSK Narrow and Wide Stations.....	10-2
10.3	Using the SIAM Mode.....	10-4
10.3.1	Copying Encoded RTTY Transmissions.....	10-4
10.3.2	The CODE Command for International RTTY Compatibility.....	10-5
10.4	TDM Receive Operation.....	10-5
10.4.1	TDM Parameters.....	10-5
10.4.2	Monitoring TDM Signals.....	10-5
10.4.3	Where to Find TDM Signals.....	10-6

## CHAPTER 11 - PACTOR OPERATION

11.1	Overview.....	11-1
11.2	Where to Operate PACTOR.....	11-1
11.3	PK-900 Parameter Settings.....	11-2
11.3.1	Entering Your Callsign (MYPTCALL).....	11-2
11.3.2	Entering the PACTOR Mode.....	11-2
11.4	HF Receiver Settings.....	11-3
11.5	Tuning in PACTOR Stations.....	11-3
11.6	Operating on PACTOR.....	11-4
11.6.1	Going On the Air.....	11-5
11.6.2	Calling CQ in Unproto Mode.....	11-5
11.6.3	Answering an Unproto PACTOR CQ.....	11-6
11.6.3.1	Ending an ARQ PACTOR Contact.....	11-7
11.6.4	Long Path Contacts.....	11-7
11.6.5	LCD Status and Mode Indicator.....	11-8
11.7	PACTOR Operating Tips.....	11-9
11.7.1	ARQ Break-In (ACHG Command).....	11-9
11.7.2	Entering Your Auto-Answer Back (AAB).....	11-9
11.7.3	Operating PACTOR on Other Modem Frequencies and Shifts.....	11-10
11.7.4	Automatic Speed Change.....	11-10
11.7.5	Echoing Transmitted Characters As Sent (EAS).....	11-10
11.7.6	Sending Only Complete Words (WORDOUT).....	11-11
11.7.7	Operating on the Wrong Sideband.....	11-11
11.7.8	Little Used PACTOR Commands.....	11-11
11.8	Monitoring ARQ PACTOR Contacts with PTL.....	11-12
11.9	PACTOR MailDrop Operation.....	11-12
11.9.1	Special Operating Considerations.....	11-12
11.9.2	Settings For PACTOR MailDrop Operation.....	11-13
11.9.3	Starting PACTOR MailDrop Operation.....	11-13
11.9.4	Local Logon to the MailDrop.....	11-13
11.9.4.1	Remote Logon to your PACTOR MailDrop.....	11-13
11.9.5	Caller Prompts.....	11-13
11.9.6	Monitor MailDrop Operation.....	11-14
11.9.7	SYSOP MailDrop Operation.....	11-14

Paragraph		Page
11.9.8	Remote User MailDrop Commands.....	11-14
11.9.8.1	A (ABORT) (Remote Only).....	11-14
11.9.8.2	B (BYE).....	11-14
11.9.8.3	H (HELP).....	11-14
11.9.8.4	J (JLOG).....	11-14
11.9.8.5	K n (KILL n [MINE]).....	11-14
11.9.8.6	L (LIST [MINE]).....	11-15
11.9.8.7	R n (READ n [MINE]).....	11-15
11.9.8.8	S callsign (SEND callsign).....	11-15
11.9.8.9	V (VERSION).....	11-15
11.9.8.10	? (HELP).....	11-15
11.10	Simultaneous PACTOR and Packet Operation.....	11-15
11.10.1	Selecting Modems.....	11-16
11.10.2	Displaying Received Data.....	11-16
11.10.3	Switching Between Ports.....	11-17
11.10.4	More Thoughts on Port switching.....	11-19
11.10.5	Dual Port PACTOR/Packet Maildrop Operation.....	11-19
11.10.5.1	Packet MailDrop Command Settings.....	11-20
11.10.5.2	PACTOR MailDrop Command Settings.....	11-20
11.10.5.3	DualPort MailDrop Operation Notes.....	11-20
11.11	PACTOR Switching Time Considerations.....	11-21
11.11.1	Suggested PACTOR Operating Settings.....	11-21
11.11.2	Possible Areas For PACTOR Performance Improvement	11-21

## APPENDICES

APPENDIX A	PK-900 COMMAND SUMMARY
APPENDIX B	PK-900 SCHEMATIC DIAGRAM
APPENDIX C	PK-900 PARTS PICTORIAL
APPENDIX D	SELF TEST ROUTINE
APPENDIX E	SPECIFIC RADIO CONNECTIONS
APPENDIX F	WARRANTY

The rest of this page is blank.

## CHAPTER 1

### INTRODUCTION

#### 1.1 Overview

The PK-900 was designed by AEA to provide you the Amateur the complete digital operating position when coupled with a Personal Computer or Computer Terminal. The PK-900 couples your HF or VHF/UHF (or both) voice transceivers to your computer or terminal so you can use its keyboard and display to "talk" to other Amateurs.

##### 1.1.1 Capabilities

The PK-900 allows you to transmit and receive all legal Amateur digital modes that are popular on both HF and VHF. In addition you can send and receive black-and-white Weather FAX. The PK-900 can receive other modes such as TDM, NAVTEX and bit-inverted Baudot RTTY. These capabilities together with SIAM (Signal Identification and Acquisition Mode) make the PK-900 ideal for the digital Short Wave Listener as well.

The PK-900 with your Computer or Terminal allows you to transmit and receive the following modes:

- o AX.25 Packet, both HF and VHF (Chapter 4)
- o Baudot and ASCII RTTY (Chapter 6)
- o AMTOR/SITOR CCIR Rec. 476 and 625 (Chapter 7)
- o Morse Code (Chapter 8)
- o HF Weather FAX (Chapter 9)
- o PACTOR (Chapter 11)

In addition the PK-900 receives the following modes:

- o NAVTEX marine broadcasts (Chapter 7)
- o TDM (Time Division Multiplex) signals (Chapter 10)
- o Bit-inverted Baudot RTTY (Chapter 10)

The PK-900 also has the following special features:

- o SIAM for SWLing (Chapter 10)
- o PakMail Maildrop for Automatic Packet Message Handling (Chapter 5)
- o AMTOR MailDrop Operation (Chapter 7)
- o KISS mode for TCP/IP and special Packet applications (Appendix A)
- o HOST mode for Host application programs (Technical Manual)
- o Dualport operation with gateway (Chapter 4)

##### 1.1.2 Included Components

Your PK-900 Data Controller package contains the following items:

- o One PK-900 Data Controller
- o PK-900 Operating Manual (this manual)
- o Cables to connect your PK-900 to two separate radios
- o Connector package to help set up your PK-900
- o Radio Port "Loop-back" connector with jumper
- o RS-232 Serial Cable with a DB-25 connector

### 1.1.3 OPTIONS

- o 9600 Baud internal G3RUH/K9NG compatible modem.
- o AEA-FAX 900 HF Gray-scale fax reception program

### 1.2 Computer or Computer Terminal Requirements

You will need a Computer or Computer Terminal to "talk to" or control your PK-900. If you are using a Computer, you will need a Communications Program or Terminal Program as it is sometimes called. The most popular computers are the IBM-PC and its compatibles, the Apple Macintosh and the Commodore-64/128. These, and most other computers can be made to work with the PK-900.

Although not required, AEA has program packages for the IBM-PC and the Macintosh computers that are customized for radio communications. These packages are PC-PAKRATT II with FAX for the IBM-PC and compatibles, and MACRATT with FAX for the Apple Macintosh. Details of how to connect each of these computers to the PK-900 can be found in Chapter 2 of this manual. You may use other computers than those mentioned above if the following technical requirements are met.

The Computer or Computer Terminal you plan to use must have an RS-232 Serial Communications port. You will also need a Communications Program that allows your computer to communicate over the RS-232 port using the ASCII character set. Details for connecting many computers can be found in Chapter 2 of this manual.

### 1.3 Station Requirements

We presume that you already have an operating radio transceiver or Short-Wave receiver to which you will connect your PK-900. In the Amateur bands most of the VHF activity occurs on the 2-meter FM band, while most of the HF activity occurs on the 20-meter band. An HF receiver or transceiver must be capable of SSB operation. While no specific brand of transceiver is required, we recommend that a modern transceiver (built in the last 20 years) capable of operation on one of the two frequency bands mentioned above be used. Specific transceiver connections are described in Chapter 3 of this manual.

#### 1.3.1 System Transmitter-Receiver Performance Requirements

Most modern radio transceivers are capable of excellent performance in Morse, Baudot and ASCII RTTY, AMTOR and packet radio. Although AMTOR Mode A (ARQ) operation imposes more demanding switching speed requirements than the other operating modes, most radios will operate in both AMTOR modes without any modifications. Radio switching times are less critical in packet radio operation. See the AMTOR operating section for further details on timing requirements.

Your PK-900 provides software-controlled timing variations that permits operation with nearly all the HF and VHF/UHF radios in general use today.



## 1.4 PK-900 Specifications

As part of its program of product improvement, AEA reserves the right to make changes in this product's specifications. Changes may also be made to the information in this document and incorporated in revisions to this manual. Prices and specifications are subject to change without notice or obligation.

### 1.4.1 Modem Characteristics

Port 1:  
Demodulator: Programmable Limiter-discriminator type, preceded by an 8-pole Chebychev 0.5-dB ripple bandpass filter.

Receive Band-pass:  
VHF packet: Automatically switched by operating mode  
Center frequency 1700 Hz,

HF (except CW) Center frequencies: 1700, 2210, 2337.5 or 2550 Hz depending on frequency shift chosen.  
Bandwidth: 200, 470, 725, or 1150, optimized for operating mode.

CW Center frequency 750 Hz, bandwidth 200 Hz

Modulator Crystal controlled, 1 Hz step programmable, phase-continuous, Direct Digital Synthesis sine wave generator

Output Level: 5 to 100 millivolts RMS into 600 Ohms, adjustable by a rear-panel control

Port 2:  
Modulator/Demodulator AMD 7910 'World Chip' FSK Modem

Modem Tones: Bell 103 and 202

Output Level: 5 to 100 millivolts RMS into 600 Ohms, adjustable by a rear-panel control

Options: 9600 baud direct FSK packet modem (G3RUH/K9NG compatible)

Grey scale HF FAX receiving program

### 1.4.2 Processor System

Protocol conversion: Zilog Z-180 (64180) microprocessor  
RAM: 64 Kilobytes  
ROM: Up to 256 Kilobytes of ROM may be used

Display and memory ARQ processor: 68HC05B4  
DSS processor: 68HC05C4

Hardware HDLC: Zilog 8530 SCC

### 1.4.3 Input/Output Connections

Radio Interface: Input/Output Lines	Two five-pin DIN connectors; Receive audio Transmit audio +/- Push-To-Talk (PTT) (+25 / - 40 VDC) External squelch input Ground
Direct FSK Outputs:	Normal and reverse for each radio port
CW keying Outputs:	Positive: +100 VDC max, at up to 100 mA Negative: -30 VDC max, at up to 20 mA
Terminal Interface: Input/Output	RS-232-C 25-pin DB-25S connector RS-232-C with full handshake (hardware and software)
Terminal Data Rates	Autobaud selection of 110, 150, 300, 600, 1200, 2400, 4800, 9600 and 19200 BPS.

### 1.4.4 Controls and Indicators

Front Panel Indicators:	Twenty-segment, selectable display type: discriminator, magic eye or zero center bargraph indicator for tuning radio port 1.
Power Switch	Front panel push-on push-off
Threshold Control	Front panel knob controlling DCD sensitivity of radio port 1 demodulator
Status Display	LCD Status Display, with variable intensity backlight, showing Mode and data controller status for both radio ports

### 1.4.5 General

Power Requirements:	+13 VDC (12 to 16 VDC) at 1100 mA (max) 880 mA with LCD back light off
Mechanical:	Overall, W 11 13/16" x D 12" x H 3.1/2" (300 mm X 305 mm X 89 mm) Weight 6 pounds 4 oz. (2.84 kilograms)

## CHAPTER 2

### COMPUTER INSTALLATION

#### 2.1 Overview

In this chapter we will connect the PK-900 to the RS-232 Serial port of your Computer or Computer Terminal. After the Serial connection has been made we will perform a quick check of the internal software. Finally we will check the PK-900's modem by performing a Packet "loop-back" test. When you have completed this chapter, you will be ready to connect the PK-900 to your receiver or transceiver and begin using it on the air.

##### 2.1.1 Equipment Required

You will need the following for this chapter:

- o your PK-900 Data controller;
- o a 13.6-volt DC, 1.5-amp (or greater) regulated power supply such as those sold by Radio Shack (or a Timewave AC-5 or AC-4); (the power supply must be able to supply at least 13 VDC to the PK-900 while it is operating under load)
- o the included PK-900 DC power cord unless the AC-4 is used;
- o your Computer or Computer Terminal;
- o a Communications or Terminal Emulation program for your computer; (not needed if a Computer Terminal is being used)
- o the included RS-232 cable with a 25-pin "D" connector on each end;
- o one of the included 5-pin shielded "radio cables"; (note that the radio cables may arrive as a single 10-ft. cable which should be cut in half producing two 5-ft. cables.)
- o The two, wire "Loop-back" jumpers necessary for testing;
- o wire cutters and strippers or a small pocket knife, a small straight-blade screwdriver and a medium Phillips-head screwdriver.

#### 2.2 Unpacking the PK-900

Carefully remove the PK-900 from the box and its plastic bag. Inspect the unit for signs of damage that may have occurred in shipping. If there is visible damage, please contact the dealer or shipper. Do not attempt to install or use a damaged PK-900.

We will be discussing some of the Controls, Indicators and Connections in this installation so take a few moments to familiarize yourself with them. The figures on the next pages may help with their locations.

## 2.2.1 Connecting Power

- MAKE SURE YOUR POWER SUPPLY IS OFF AND UNPLUGGED BEFORE WIRING
1. If you are using the AEA AC-4 or Timewave AC-5, skip to 5. Otherwise, locate the PK-900 Power Cable in the accessory bag
    - . Strip off just enough insulation from the ends to connect it to your 13-14 Volt DC regulated power supply.
  2. The Center pin of the coaxial power plug is POSITIVE. Connect the lead with the White stripe to the POSITIVE (+) lead on your power supply. Check this with an Ohm-meter if you have one.
  3. Connect the solid Black (GROUND) lead to the NEGATIVE (-) lead of your power supply.
  4. Connect the power plug to the 13 VDC Power Receptacle on the left rear of the PK-900. DO NOT CONNECT YOUR COMPUTER YET.
  5. Plug in your power supply or AC-4 and turn on power. Turn on the PK-900 by depressing the Power Switch on the front of the unit. At power-on, the LCD Status display on the left should light. At this point, turn OFF the PK-900 and move on to section 2.3.

If the Status display does not light, then re-check the above steps to insure that 12-14 VDC is available at the power plug and the center pin is POSITIVE.

If the Status display lights, and status indicators other than the DCD indicators are displayed, then the PK-900 has already been initialized. If the PK-900 has been initialized it is ready to communicate with a computer or terminal at a specific baud rate (probably 300, 1200, 2400, 4800 or 9600 baud). If you know what this baud rate is then you should continue with the installation at section 2.3 keeping this in mind.

If you do not know the baud rate the PK-900 has been initialized to then you should reset the PK-900 by holding the rear-panel RESET switch at the same time you turn on the power switch. After this is done, no status indicators on the LCD Status display should be on with the possible exception of either or both of the two DCD indicators.

If the above did not produce the blank status indication, (ignoring the DCD indicators) contact the Timewave Technical Support Department as described in the front of this manual.

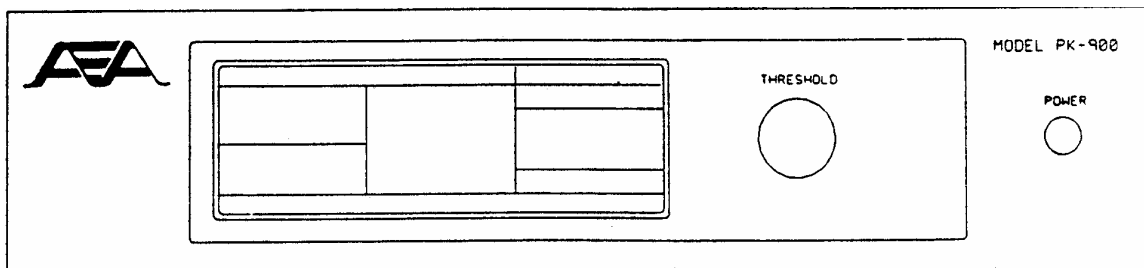


Figure 2-1 PK-900 Front Panel Controls and indicators

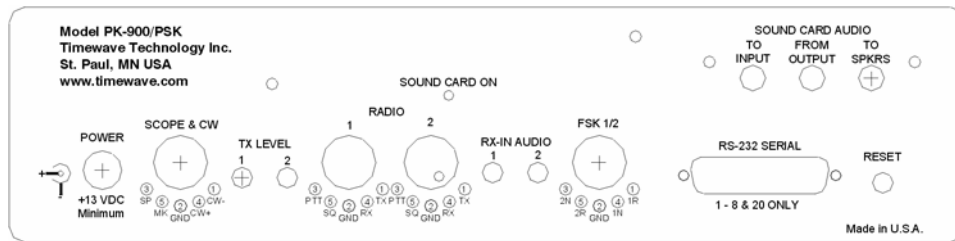


Figure 2-2 PK-900 Rear Panel Connections and Controls

### 2.3 Connecting Your Computer or Computer Terminal

- o MAKE SURE THE PK-900 AND YOUR COMPUTER ARE SWITCHED OFF
- o Locate the PK-900 Serial Cable. Connect the 25-pin Female connector to the RS-232 connector on the PK-900 rear panel.
- o Connect the other end of this cable (Female DB-25) to the RS-232 Serial Port of your personal computer or Computer Terminal. Details on connecting to common machines are listed below.

NOTE: This cable was designed to connect directly to a 25-pin IBM-PC compatible RS-232 port. Many machines on the market today support this configuration. Some less-common machines are listed in section 2.6. Please be certain you have properly connected the PK-900 to your RS-232 computer or Terminal then proceed to section 2.4.

#### 2.3.1 IBM-PC/XT/AT and Compatibles

IBM compatible 25-pin RS-232 serial ports should connect directly to the supplied serial cable. Some IBM compatible machines are equipped with a 9-pin serial port. For these machines a DB-9 to DB-25 adapter should be obtained from a Radio Shack store or a computer dealer.

#### 2.3.2 Apple Macintosh Series of Computers

AEA presently sells the program MacRATT with FAX which contains the serial cable for the newer models of the Macintosh (models Mac + and later). If you intend to use another communications program with the PK-900 a Modem adapter cable must be purchased from your Apple dealer to connect the Mac to your PK-900. For the newer machines such as the Mac +, Mac SE and Mac II, a mini-8 to DB-25 adapter cable is required (included with the AEA MACRATT with FAX program). For the older Mac 128 and 512 machines, a DB-9 to DB-25 adapter cable from your Apple dealer is needed.

#### 2.3.3 Commodore 64 and 128 Computers

The Commodore 64/128 computers do not have an RS-232 port as standard equipment. For these machines RS-232 adapters are available from manufacturers such as Commodore or OMNITRONIX. These may work with modem or terminal programs for your Commodore. Section 2.4 of this chapter deals more with programs for personal computers. The AEA Program COM-PAKRATT With FAX is NOT recommended for the PK-900.

#### 2.3.4 Computer Terminal

If you have an RS-232 Computer Terminal, sometimes called a Dumb-Terminal, Smart-Terminal or ASCII-Terminal, you may need to change the gender of the cable provided with your PK-900. This can be accomplished with an inexpensive double-male RS-232 gender changing adapter available from Radio Shack and other computer dealers. The Radio Shack part number is 26-243.

#### 2.4 Setting Up Your Communications or Terminal Software Program

If you will be using your PK-900 with a Computer, you will need to read parts of this section to set up your Communications or Terminal Software. If you will be using your PK-900 with a Terminal you will not need any software and may skip to section 2.5.

Setting up a communications program for your PK-900 is very important. How your screen looks when you use your PK-900 depends completely on your Communications program. AEA currently makes available programs for the IBM-PC and compatibles and the Apple Macintosh computers. These products are customized for radio communications and are available at extra cost from your AEA dealer.

The PK-900 operates in much the same manner as a telephone modem and most modem Terminal Programs will control a PK-900 quite nicely. Some of these programs are "Public Domain" which means they are FREE. Other Terminal Programs are "Share-ware" which means you may get them from a friend and try them before you buy them. Whether you are using an AEA program or one of your own choosing, see the section below for the particular type of computer you plan to use.

##### 2.4.1 Terminal Programs for IBM PCs and Compatibles

Although you can use almost any terminal program with your IBM PC or close compatible, AEA currently sells the PC-PAKRATT II w/FAX program which provides many features not available in "telephone modem" programs. See your AEA dealer for information on PC-PAKRATT II w/FAX.

If you already have the PC-PAKRATT II program, follow the program manual and install the software on your computer. You should also read through the PACKET OPERATION chapter of the PC-PAKRATT II manual. Familiarity with Packet operation of PC-PAKRATT will be necessary for performing a quick-check of the PK-900 in section 2.5 of THIS manual.

As we mentioned above, an AEA program is not required to use the PK-900. Many terminal programs can be found throughout the amateur radio community or can be downloaded from Compuserve, GENIE and from many telephone bulletin boards.

A partial list of PC programs tested with the PK-900 includes:

PROCOMM, CROSSTALK-XVI, SMARTCOMM, RELAY, BITCOM, QMODEM, PC-TALK, CTERM, HAMCOM, HAMPAC, YAPP and the terminal program included with Microsoft Windows 3.0 (tm).

Follow the installation directions that come with the Terminal program you wish to use. Once installed on the computer, you should start the program and set the communication parameters for the following:

Data Rate = 1200 bits per second (Bauds)  
Data bits = 7  
Parity = EVEN  
Stop bits = 1

Once these settings have been achieved and the correct serial communications port chosen, you may proceed to section 2.5.

#### 2.4.2 Terminal Programs for the Apple Macintosh

Although you can use almost any terminal program with your Macintosh, AEA presently sells the MACRATT with FAX program which provides many features not available in "telephone modem" programs. See your AEA dealer for information on MACRATT with FAX.

If you already have the MACRATT program, please follow the program manual and install the software on your Mac. You should also read through the PACKET OPERATION chapter of the MACRATT manual. Familiarity with Packet operation of MACRATT will be necessary for performing a quick check of the PK-900 in section 2.5 of THIS manual.

As we mentioned above, an AEA program is not required to use the PK-900. Many terminal programs can be found throughout the amateur radio community and can be downloaded from Compuserve, GENIE and from many telephone bulletin boards.

A partial list of Mac programs tested with the PK-900 includes:

MAC TERMINAL, RED RYDER, MICROPHONE, SMARTCOMM II and MOCK TERMINAL

Follow the installation directions that come with the Terminal program you wish to use. Once installed on the computer, you should start the program and set the communication parameters for the following:

COMPATIBILITY:  
1200 bauds, 7 bits/character, even parity, Handshake XON/XOFF,  
FULL-DUPLEX, Modem connection, "telephone" port.

Once these settings have been achieved, proceed to section 2.5.

#### 2.4.3 Terminal Programs for the Commodore 64, 64C and 128

Although AEA presently sells the COM-PAKRATT with FAX program package for the PK-232, this program cannot access all the features of the PK-900. AEA therefore cannot recommend using the COM-PAKRATT package with the PK-900. If you already have this package, it will certainly get you started with the PK-900 by using the "Dumb Terminal" mode. You may wish to find another program which provides more features than are available in the COM-PAKRATT program in the Dumb Terminal Mode. Other ideas for terminal programs for the Commodore-64 series of computers are listed below.

Many terminal programs can be found throughout the amateur community or can be downloaded from Compuserve and from many telephone bulletin boards. In addition a BASIC communications program is listed in the Programmer's Reference Guide published by Commodore. Use the program listing for "True ASCII". We suggest you operate your PK-900 at 300 bauds with these computers to avoid possible speed difficulties.

Follow the installation directions that come with the Terminal program you wish to use. Once installed on the computer, you should start the program and set the communication parameters for the following:

```
Data Rate = 300 bits per second (Bauds)
Data bits = 7
Parity    = EVEN
Stop bits = 1
```

Once these settings have been achieved, proceed to section 2.5.

## 2.5 System Startup and Loop-back Test

Make sure that you have connected your PK-900 to a 12-14 Volt DC power source and to the RS-232 port of your computer or Terminal. If you are using a computer, you must also have a communications program and be familiar with its operation. You are now ready to begin the following PK-900 Startup and Loop-back test procedure.

1. Don't connect any cables to your radio yet!
2. Remove the 16 gauge wire "Loop-back" connectors from the PK-900 accessory bag.
3. Plug these into pins 1 and 4 of each of the radio connectors on the PK-900's rear panel.
4. Set both AFSK levels on the back panel of the PK-900 to 50% rotation (straight up and down) using a small screwdriver.
5. Turn on your computer. Load and run your communications program.

If you are using an AEA PAKRATT program, follow the program instructions to enter the Packet mode, then skip to step 11.

If you are using another Terminal Program or a Computer Terminal, Set your computer's terminal program to:

- o 1200 bauds (if available);
- o seven-bit word;
- o even parity;
- o one stop bit.

NOTE: You may use other terminal baud rates with the PK-900 - we recommend 1200 baud here to keep this procedure easy and consistent.

6. Press the PK-900's power switch to the ON position. At power-on, the LCD Status display on the left should light,



showing either no status indications or one or both of the DCD indicators. If the Status display lights and other status indicators are displayed, then the PK-900 has already been initialized. If you know the terminal baud rate the PK-900 has been set to, you may proceed to step 11; otherwise you must reset the PK-900 as described below.

To reset the PK-900, simply hold the rear-panel RESET switch in at the same time you turn on the power switch. After this is done, then the only LCD Status indicators showing may be the DCD indicators. If your serial port is operating at 1200 bauds as we recommend, you'll see the "autobaud" message:

Please type a star ( \* ) for autobaud routine.

If your serial port is operating at 300, 2400, 4800 or 9600 bauds, you may see some "garbage" characters. This is normal and you should proceed with step 7.

7. Type an asterisk (\*). When the PK-900 has "recognized" your computer's data rate, the CMD LCD will light. Your screen will then display the sign-on message:

PK-900 is using default values.

AEA PK-900 Data Controller  
Copyright (C) 1986-1993 by  
Advanced Electronic Applications, Inc.  
Release DD.MMM.YY  
cmd:

Make note of the Release date on the first page of this manual. This is important should you ever call AEA for technical support. It should match the firmware release sticker on the bottom of your PK-900.

8. If you are using an AEA program, follow the instructions in the program manual to enter the packet callsign (MYCALL) of AAA into the PK-900. Even though this is not your callsign, please do this for this procedure. You must change it to YOUR OWN CALLSIGN after completing this procedure.

If you are using a Computer Terminal or a non-AEA terminal program the following will set your packet callsign to AAA:

Enter MYCALL by typing MY AAA <Enter> (or <RETURN>).  
(<RETURN> or <Enter> means type the single key on your keyboard.)  
Your monitor should display:

MYcall was PK900/PK900  
MYcall now AAA/PK900

9. If you are using an AEA program follow the instructions to CONNECT in packet mode to AAA. Since you have just entered your callsign as AAA, you will connect to yourself.

If you are using a Computer Terminal or a non-AEA program,

entering the following after the "cmd:" command mode prompt will cause the PK-900 to Connect to AAA:

C AAA <Enter>

After a few moments, your monitor should display:

\*\*\* CONNECTED to AAA

10. Type HELLO SELF <Enter>  
After a few moments, your monitor should echo the same message.

If you have gotten this far then the digital section of the PK-900 and the VHF packet modem of port 1 are both working.

11. We will now check the PK-900's HF modem. If you are using an AEA program, follow the instructions to select the HF modem by turning the VHF Parameter OFF; this will automatically set the radio baud rate HBAUD to 300 for HF packet work.

If you are using a Computer Terminal or a non-AEA terminal program, the following sets the HF mode of the PK-900:

Type <CONTROL-C>. (Type C while pressing the <Ctrl> key down.)  
Your monitor should respond with the command prompt:

cmd:

Then enter VHF OFF <Enter>  
Your monitor should respond with:

Vhf was ON/ON  
Vhf now OFF/ON

Then enter HB 300 <Enter>  
Your monitor should respond with:

HB was 1200/1200  
HB now 300/1200

12. If you are using an AEA program type HELLO SELF <Enter>  
Your monitor should soon echo the message you've just typed.

If you are using a Computer Terminal or a non-AEA terminal program, you must first type CONV or K followed by a <Enter>. Now you may type a few characters. Your monitor should soon echo the characters you've just typed.

13. If you are using an AEA program, follow the instructions to DISCONNECT from a Packet station.

If you are using a Computer Terminal or a non-AEA terminal program the following will cause the PK-900 to DISCONNECT:

Enter <CONTROL-C>

Your monitor should respond with the command prompt:

```
cmd:
```

Enter D <Enter>

Your monitor should respond with:

```
cmd:*** DISCONNECTED: AAA
p1 AAA*>AAA (UA)
```

If all of the above steps were successful, you've completed the quick-check and are ready to proceed to Chapter 3. In Chapter 3 you will connect your PK-900 to your radio and begin using it "on the air".

If you have problems with the steps shown above, go back to Step 1 AFTER checking all cables and connectors. Read each step again carefully. The most common problems are trying to connect to a call different from AAA, not having the "loopback" jumpers in the correct pins, or not setting the AFSK levels to 50% rotation.

If you still have problems, leave your PK-900 ON and contact AEA's Technical Support Department as suggested in the front of this manual.

## 2.6 Detailed RS-232 Connections for Other Computers

If the type of computer you plan to use with the PK-900 was not mentioned in the beginning of this chapter, you may find specific connection information in the sections below. You will also need a Communications program to use with your computer which AEA can not provide. See section 2.7 for information regarding Communication programs for many of these machines.

Some computers require a serial port adapter card that incorporates the necessary RS-232-C interface circuitry. The IBM-PC and Apple II series of computers are good examples of this.

Computers that do not have a serial port or do not permit use of a suitable adapter or level converter cannot be used with the PK-900.

### 2.6.1 Apple II Series

The Apple II, II+ and IIe computers require an RS-232 Serial card to connect to your PK-900. The most popular we know about is the Super-Serial Card which should be available from your Apple dealer.

### 2.6.2 Commodore C-64, C-128 and Vic 20

Commodore, OMNITRONIX and other manufacturers sell a signal level converter that is installed in the User Port Connector on the rear of the computer. The converter changes the computer's internal TTL voltage levels to the proper RS-232-C voltage levels and polarities.

### 2.6.3 IBM PCjr

The PCjr uses standard RS-232-C voltage levels; however, the

connector is not standard and is hard to find. Pin-out information can be found in the IBM PCjr Technical Reference Manual. Some dealers sell a 'IBM PCjr Adapter Cable for Serial Devices' that converts the connector on the PCjr to standard RS-232-C. The cable attaches between the PCjr and the PK-900 Serial Cable.

#### 2.6.4 Tandy Color Computer

The CoCo series (except for the Micro CoCo) uses a four-pin DIN connector for its serial interface. Wire a cable as shown below. All necessary parts should be available from your Radio Shack dealer.

CoCo	PK-900 (DB25P)
4 .....	2
2 .....	3
3 .....	7

#### 2.6.5 Tandy Model 100/102 and NEC 8201

The Model 100/102 and NEC 8201 have built-in standard RS-232 serial ports which are compatible with the PK-900. You'll need a DB-25 male-male gender changing adapter to use the supplied PK-900 Serial Cable.

#### 2.6.6 Other Computers with RS-232-C Ports

If your computer has an RS-232 port, consult your computer manuals to see which pins are used for Transmit-Data, Received-Data and Signal-Ground. Read the manufacturer's recommendations for connecting the serial port to a modem and connect your PK-900 in the same way.

Your PK-900 is configured as Data Communications Equipment (DCE) which receives data on pin 2 of the 25-pin DB-25 connector or pin 2 of the 25 pin cable supplied with the unit. Most computers and terminals are configured as Data Terminal Equipment (DTE) transmitting data on pin 3 of a DB-9 or pin 2 of a DB-25 RS-232 connector.

- o If your computer is configured as DTE:

Use the supplied RS-232 cable with a Gender changing adapter if necessary. These are available from Radio Shack (Part # 26-243) and other computer stores.

- o If your computer is configured as DCE:

You may want to purchase a Null Modem adapter from Radio Shack (Part # 26-1496) or other computer store.

You may also wire your own cable directly to the PK-900's DB-25 connector by wiring the Transmit Data (TXD), Receive Data (RXD), and the Signal Ground (GND) to a DB-25P (Male) connector as diagramed below:

Computer	PK-900 (DB25)
TXD .....	2
RXD .....	3
GND .....	7

- o As a default the PK-900 provides XON/XOFF software flow-control to the computer or terminal. The command XFLOW can be turned OFF to enable hardware handshake if your computer requires it. Hardware flow control is achieved with RTS/CTS (pins 4 and 5) of the 25-pin connector on the PK-900's rear panel.

### 2.6.7 Other Computers with Non-Standard Serial Ports

Computers with non-standard serial ports must meet the following conditions:

- o The signal levels must be compatible with RS-232-C. The PK-900 requires the voltage levels from the computer be greater than +3 volts in the "asserted" state and 0 volts or less in the "non-asserted" state.
- o The signal polarity must conform to the RS-232-C standard. The 0 or negative-voltage state must correspond to logical "1" and the positive-voltage state to logical "0."
- o The computer must be able to correctly receive a signal that meets asynchronous RS-232-C specifications. The PK-900 supplies signals that meet this specification.

Make or buy a cable that provides the following connections:

- o The computer's serial port signal ground or common pin must be connected to pin 7 of the PK-900's 25-pin connector.
- o The pin on which the computer SENDS data must be connected to pin 2 of the PK-900's 25-pin serial connector.
- o The pin on which the computer RECEIVES data must be connected to pin 3 of the PK-900's 25-pin serial connector.

If your computer requires any other signals, you must arrange to provide them. The PK-900 has the standard hardware handshake lines available. As a default the PK-900 provides XON/XOFF software flow control to the computer or terminal. The command XFLOW can be turned OFF disabling software flow control and enabling hardware handshake if your computer requires it. The documentation provided with your computer or serial card should clarify any special requirements.

### 2.7 Terminal (Modem) Software for Other Computers

Any communications program that enables your computer to emulate or act as an ASCII terminal with a telephone modem should work with your PK-900. If you have a familiar program you have used successfully, use it to communicate with your PK-900.

### 2.7.1 Terminal Programs for the Apple II, II+, IIe and IIC

The PK-900 operates well with the Apple II family of computers using both Apple-supplied or third-party serial interface cards. Terminal programs include Modem Manager, ASCII EXPRESS PRO, Hayes SMARTCOMM II, and DataCapture 4.0.

### 2.7.2 Terminal Programs for the Commodore Vic 20

A BASIC communications program is printed in the VIC 20 Programmer's Reference Guide published by Commodore. Use the program listing for "True ASCII"; Commodore computers internally use a modified ASCII format. We suggest you operate your PK-900 at 300 bauds with these computers to avoid possible data speed difficulties.

### 2.7.3 Terminal Program for the IBM PCjr

The PCjr's BASIC cartridge contains a terminal program. Start the program by typing TERM. Refer to the PCjr's BASIC manual for details on the program. For best results with the PCjr do not run the PK-900's serial port baud rate faster than 1200 bauds.

### 2.7.4 Terminal Programs for the Tandy Color Computer

Several terminal programs are available for the CoCo. We suggest that you use a commercial program rather than writing your own. The CoCo's "software UART" may be difficult to program in BASIC.

### 2.7.5 Terminal Program for the Tandy 100/102 and NED 8201

The Model 100, 102 and NEC 8201 have built-in terminal programs in ROM which control the modem and the RS-232C port. Consult the computer documentation for instructions in their use. Make sure that you do not use the program to control the built-in telephone modem.

## CHAPTER 3

### RADIO INSTALLATION

#### 3.1 Overview

This chapter describes how to connect the PK-900 to your radio receiver or transceiver. To receive digital transmissions you must connect the receiver audio and Ground to your PK-900. To transmit you will have to add connections to the microphone or low-level transmit audio and to the Push-To-Talk (PTT) circuit of your transceiver.

The most convenient way to connect your transceiver is through a rear panel ACCESSORY Connector (if your transceiver has one). You may also use the Mic connector if you prefer. Appendix E contains connections for many specific radios. MAKE SURE THAT YOU REMOVE POWER FROM THE PK-900 AND YOUR RADIO BEFORE MAKING ANY CONNECTIONS.

##### 3.1.1 Equipment Required

You will need the following for complete transmit/receive connections:

- o your PK-900 Data Controller, computer or Computer Terminal and software as discussed in Chapter 2 of this manual;
- o AEA-supplied shielded cable for each radio you wish to connect;
- o your radio and its power supply;
- o microphone or accessory-plug connector(s) required by your radio;
- o soldering iron and solder if the radio connectors require it;
- o wire cutters and strippers and/or a small pocket knife;

#### 3.2 Receive-Only Radio Connections

If you are a Short Wave Listener (SWL) or only interested in receiving signals, the connections to the PK-900 are simple. Even if you are planning on transmitting and receiving, you may initially want to just receive to become familiar with the PK-900. Taking a little time to tune in and "read the mail" is an excellent way to get acquainted with the various modes before going on the air.

For receive operation, only the audio from the receiver or transceiver (and Ground) needs to be connected to the PK-900. This can often be accomplished by simply connecting the included 3.5 mm audio cable between the PK-900 and your receiver as shown in figure 3-1 below. The audio cable can then be connected to the External Speaker/Earphone jack on the radio you will be using.

NOTE: Some Short Wave receivers come with low-level outputs designed for use with a tape recorder. These outputs typically do NOT have enough level to drive the PK-900.

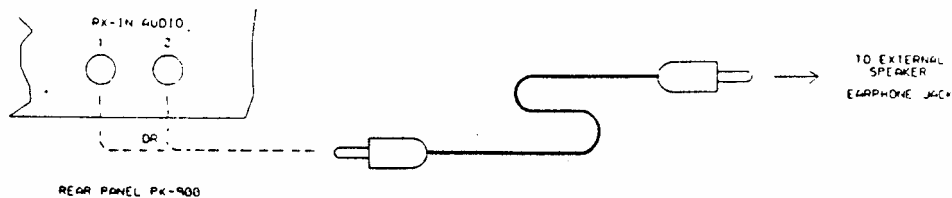


Figure 3-1 Receive audio connection to the PK-900.

If you are using an HF transceiver or Short-Wave receiver you should consult Chapter 10 for information on the Signal Identification mode. Chapters 4, 6, 7, 8 and 9 talk specifically about some of the modes you may encounter on the HF and Short-Wave bands.

If you are connecting to a VHF scanner or VHF/UHF transceiver you should look over Chapter 4 on VHF Packet operation.

### 3.3 Transmit and Receive Radio Connections

To connect your PK-900 to a HF or VHF/UHF TRANSCEIVER you will need access to the Receive-Audio, Transmit-Audio (mic-audio), Push-To-Talk, Ground and optionally a Squelch input for shared voice/data channels. Most of these signals are typically available on the Mic connector and also often on a rear-panel Accessory connector of the transceiver. If you will be wiring the PK-900 to more than one radio, repeat the procedures in section 3.3.5 for each radio you will connect.

#### 3.3.1 Transceiver's Microphone or Accessory Connector?

The most convenient way to connect your transceiver is through a rear panel Accessory connector if one is available. If the PK-900 is connected as an accessory, the microphone used for voice operation can sometimes be left connected to the transceiver. This makes changing between voice and data modes easier than if the microphone must be unplugged in order to connect the PK-900. On most HF radios however, the mic is "hot" and should be unplugged during data operation.

#### 3.3.2 Connections for Specific Transceiver Models

APPENDIX E of this manual contains information and diagrams for connecting the PK-900 to many modern HF and VHF transceivers. Please turn to APPENDIX E and locate the transceiver model you will be connecting to your PK-900. If you do not find the exact model of your transceiver in APPENDIX E, then locate a model from the same manufacturer that has the same Accessory or Microphone connector as the unit you will be connecting.



### 3.3.3 Check Your Transceiver's Operating Manual

Locate the Operating Manual for your transceiver and turn to the page describing the connector to which you will attach your PK-900. Even if you found the exact model of your transceiver in APPENDIX E, it is a good idea to verify that your transceiver's manual agrees with the information in the appendix. If the information does not agree, or you could not find the exact transceiver model in APPENDIX E, then you should use the information contained in your transceiver's manual to connect the PK-900.

### 3.3.4 Specific Connection Points

Whether you are connecting an HF Single Side Band transceiver for RTTY/FAX operation, or a VHF/UHF transceiver exclusively for packet, the minimum connections to your transceiver will be almost identical. HF transceivers have a few optional connections that will be covered after the basic connections have been made.

The following table and figure will be helpful in identifying the proper basic connection points to the PK-900 radio cable.

Pin	Signal Name	Wire Color	Description
1	Microphone audio	White	AFSK from PK-900 to transceiver
2	Ground	Brown	Audio and PTT common return
3	Push-To-Talk	Red	PK-900 keys transmitter
4	Receive audio	Green	Audio from receiver to PK-900
5	Squelch Input	Black	Allows PK-900 to detect activity on a shared mode channel (optional)
	Shield/Drain Wire	Silver	Shield of cable / Microphone Ground

Table 3-1 Radio Port 1 and 2 Cable Connections

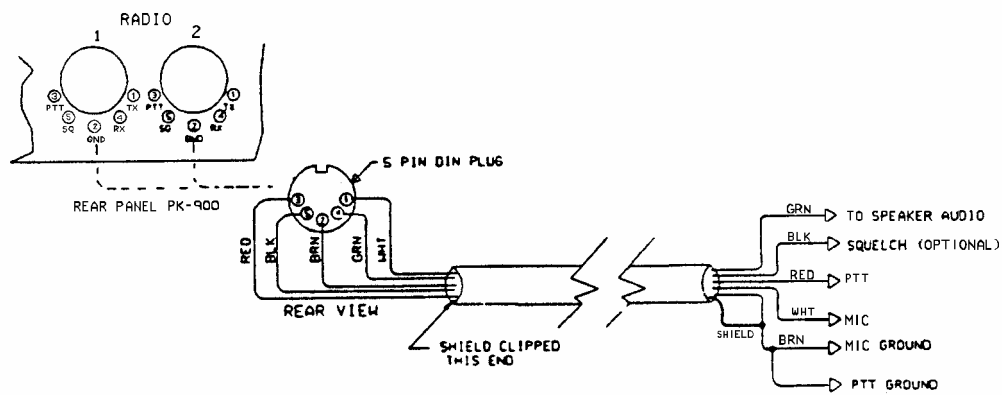


Figure 3-2 PK-900 to Radio Cable Connections

### 3.3.5 Begin Assembling your Radio Cable

Assemble the tools, PK-900 Radio cable and connectors you will need for each radio you wish to connect. You will probably also need a small soldering iron (20-40 watts) and solder at your work area.

#### 3.3.5.1 Prepare the Radio Cable

1. Locate one of the 5 ft PK-900 radio cables included with your PK-900. Note that the Radio cables may have been shipped as a single 10 ft cable which should be cut in half before use.
2. Prepare the bare end of one of the radio cables by removing an appropriate amount of the jacket for the connector you will be attaching. Usually this is 1/2 to 3/4 inch.
3. Carefully remove the foil shield exposing the colored wires underneath. Be careful not to nick or cut the bare shield wire.
4. Strip back 1/8 inch of colored insulation from the GREEN, RED, WHITE and BROWN wires.

NOTE: The BLACK wire is the squelch input and normally not used. The black wire is only needed for Packet operation if the channel you plan to operate on is used for both voice and data. If you need this connection, strip away 1/8 inch of BLACK insulation as done with the other four wires. If this wire is not needed, then leave the insulation intact.

#### 3.3.5.2 Verify the Connection Points with Your Manual

Look at the connector closely (with a magnifying glass if necessary) and locate pin 1. Compare this to the location of pin 1 on the connector drawing in your transceiver's manual and also in APPENDIX E. This is important as some diagrams show the connector from the inside of the transceiver, not the outside of the plug you are wiring. This will help insure that the plug is not wired backwards.

#### 3.3.5.3 Prepare the Connector

Now that the cable is prepared, you are ready to prepare the connector for wiring. If the connector you are wiring has a shell, be sure that it is placed over the cable before any connections are made. If this is not done, an otherwise perfect wiring may have to be redone.

#### 3.3.5.4 Wire the Connector

The following connections must be made for transmit and receive operation of the PK-900. Refer to table 3-1 and figure 3-2 as well as APPENDIX E and your transceiver's manual when making these connections.

HINT: When wiring a Connector, it is often easier to wire the inside or middle connections first and work your way to the outside pins. For this reason the following steps are not numbered and may be done in any convenient order.

- o Connect the Shield/Drain wire (Silver wire with no insulation) to the Microphone GROUND connection if your transceiver has one. If your transceiver does not have a separate Microphone or Audio-in Ground connection, then this wire should connect to the single Ground along with the Brown wire. See the next step.
- o Connect the BROWN wire to the main GROUND on the connector. This Ground is the one used for the PTT and receive audio. You should connect the Silver Shield/Drain wire to this GROUND only if there is not a separate Microphone Ground as described in the previous step.
- o Connect the RED wire to the Push-To-Talk (PTT) terminal on the connector. At this time, check the manual to determine whether your transceiver uses positive (+) or negative (-) PTT. The PK-900 comes from the factory set for Positive PTT since most transceivers use this method of keying. This will be discussed in more detail in the Adjustment sections below. If you are connecting a Handheld transceiver to your PK-900, you will probably need a resistor and/or capacitor to isolate this connection from the AFSK audio. Check APPENDIX E.
- o Connect the WHITE wire to the MICROPHONE AUDIO terminal on the connector. This connection carries the low level Audio Frequency Shift Keying (AFSK) to the transmitter's microphone audio section. If you are connecting a Handheld transceiver to your PK-900, you will probably need a resistor and/or capacitor to isolate this connection from the PTT. Check APPENDIX E.
- o Connect the GREEN wire to the RECEIVER AUDIO terminal on the connector. For the PK-900 to operate properly, we recommend at least 200 mV RMS of receive audio be available. If you are connecting to an Accessory Jack, make sure the available level is at least 200 mV RMS. For CW work 400 mV may improve operation.
- o If you will be using a Packet Radio channel that is shared with voice users then you should connect the BLACK wire to the SQUELCH status pin of the connector. This will prevent the PK-900 from transmitting when there is a received signal strong enough to open the Squelch. If you connect this pin you may have to change the setting of the SQUELCH command in the PK-900. Most VHF/UHF Packet channels are no longer shared with voice users so this connection will probably not be needed.

This completes the minimum necessary connections for transmit and receive operation with the PK-900. If you are interested in using the PK-900 to transmit Morse code (CW) or transmit RTTY using FSK inputs on your HF transceiver, the following three sections (3.3.6 and 3.3.7) should be read.

If you will not be using any of the connections described in the following sections, then skip ahead to the Final Adjustment section 3.4 where you will set levels and prepare to go "On the Air".

### 3.3.6 Wiring Your HF Transceiver for Direct CW Keying

The PK-900 can directly key CW with HF and VHF multi-mode transceivers. This requires that a cable be wired from the CW KEY OUT jack on the PK-900's rear panel to the CW keying input of your transceiver on the correct Radio Port. Refer to the instructions below and Figure 3-3 to wire the PK-900 side of the cable.

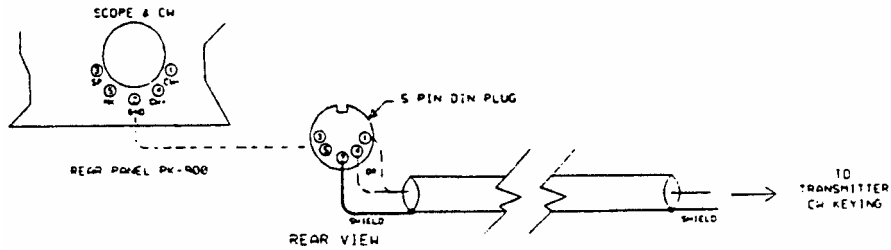


Figure 3-3: Direct CW Keying Cable diagram

1. Locate a 5 pin DIN connector from the PK-900's accessory bag.
2. Consult your radio's instruction manual to determine if your radio uses negative (Grid Block) or positive keying polarity. Locate some shielded audio cable from Radio Shack or other cable house and solder the DIN connector to the cable as shown above.
3. Locate the connector for the CW keying input to your transceiver. These are often supplied in your transceiver's accessory kit.
4. Wire the transceiver connector as per the instructions in your transceiver's manual for a "Straight key".

Connect the shielded cable you just wired from the PK-900's positive or negative keying output to your radio's CW key input connector. See the Specifications on page 1-4 for maximum limits.

### 3.3.7 Connections for Direct FSK Operation on RTTY

Some HF SSB radios provide direct FSK (Frequency-Shift Keying) for RTTY operation. Direct FSK can be an advantage when using RTTY and AMTOR and can sometimes help in HF packet operation. FSK operation may be helpful if your transceiver can switch in filters. Be cautious of narrow filters as they can limit your data rate. Direct FSK is not always recommended for data speeds above 110 bauds. Consult your transceiver's manual for further recommendations on direct FSK.

To install and operate your PK-900 and radio in the FSK mode:

1. Connect a shielded cable from the PK-900's FSK receptacle, pins 1 or 4, to the radio's FSK input for radio port 1. Pins 3 or 5 are the FSK outputs for radio port 2.

NOTE: Polarity of the FSK signals is not standardized by the radio manufacturers. We have observed that Icom radios most often use FSKN (pins 3 and 4), while Kenwood radios most often use FSKR (pins 1 and 5). Consult your transceiver's manual to identify the proper polarity.

2. Connect the FSK lines from the PK-900 to your radio's FSK or RTTY input in accordance with your radio's requirements.

See Figure 3-4 below.

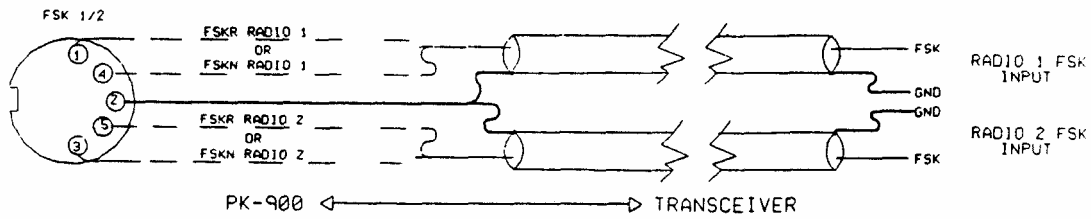


Figure 3-4 FSK Connector Connections

NOTE: When using FSK, the same power and duty cycle limits apply as cited earlier for AFSK operation. Consult your radio's operating manual for any power or transmit time limits.

### 3.4 PK-900 Configuration Jumpers and Connections

Before operating the PK-900, you must first make sure it is correctly configured for your radio's PTT. After this has been checked you should then connect the cables you constructed above.

#### 3.4.1 Push-To-Talk (PTT) Configuration

Before you connect the radio cable(s) you just made to the PK-900, consult your transceiver's manual for Push-To-Talk keying polarity. Most transmitters and transceivers made in the last 15 years use Positive PTT keying. However some gear, especially if it contains vacuum tubes, may use a negative PTT keying voltage.

The PK-900 is configured for positive PTT at the factory so it will operate with most equipment without changes. However, if necessary, you can change the polarity of the PTT configuration on either Port 1 or Port 2. Follow these steps:

- o Remove four screws from the top of the PK-900 chassis cover and lift off the cover.
- o Locate Jumper posts JMP1 and JMP2 which are about 4 inches in from the right-rear corner of the PCB.
- o JMP1 configures Port 2 and JMP2 configures Port 1.
- o When the shorting jumpers are towards the fuse, the port is configured for Positive (+) PTT. When the shorting jumpers are towards the center, the port is configured for Negative (-) PTT.

Replace the cover and four screws when you are finished configuring the polarity of the PK-900 PTT circuit.

### 3.4.2 PK-900 Connections

Remove power from the PK-900, your transceiver and all accessories before making any connections.

Connect the radio cable(s) you constructed in section 3.3.5 between a Radio port on the PK-900 and your transceiver(s).

If you wired cables for CW keying or Direct FSK then connect these to the appropriate point on your equipment.

### 3.5 Transceiver Adjustments

This section is split into separate procedures for FM and SSB radios. You may adjust either port at any time without affecting the other.

#### 3.5.1 FM Transceiver Final Adjustments

1. Turn on your computer and PK-900 and start your terminal program.
2. Connect the radio to a dummy load. Be prepared to monitor your transmissions with another nearby radio such as a handheld transceiver.
3. Verify that your PK-900 and FM radio are connected as shown in Figure 3-5 below.

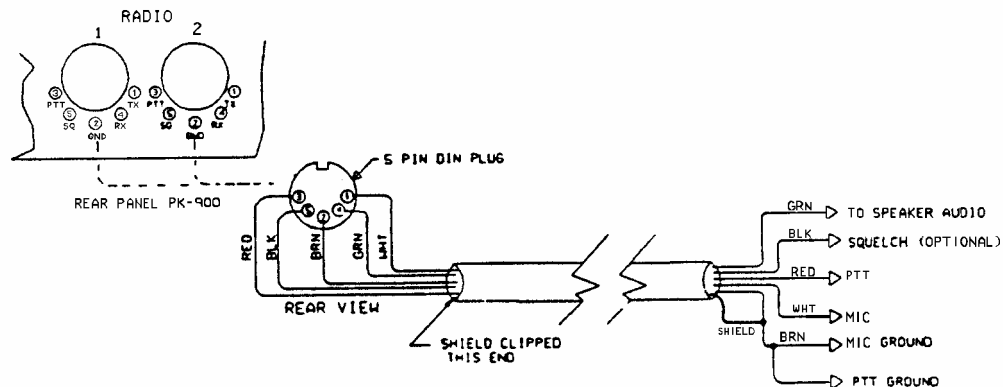


Figure 3-5 Radio-to-PK-900 Connections

4. If you are using an AEA program such as PC-PAKRATT II or MACRATT, you must enter the Dumb Terminal mode to access the CALIBRATE Mode as described below.
5. Enter the Calibrate mode by typing: "CAL <Enter>."

NOTE: In the Calibrate mode only, the "K" key toggles the transmitter PTT line on and off. The "SPACE BAR" toggles the PK-900's tone generator from "Mark" (the lower pitched tone) to "Space" (the higher pitched tone). The PK-900 has a transmit watchdog timer circuit that unkeys your transmitter automatically after sixty (60) seconds. As you perform the following adjustments, unkey periodically, then rekey the transmitter by typing "K."

6. Press the "K" key on the keyboard to key the transmitter. You should hear a continuous tone in the monitor receiver.
7. Tap the space bar several times until the higher pitched of the two tones ("Space") is heard.
8. Refer to the figure below of the PK-900's rear panel and locate the AFSK TX level potentiometer adjustment for the radio port you are calibrating.

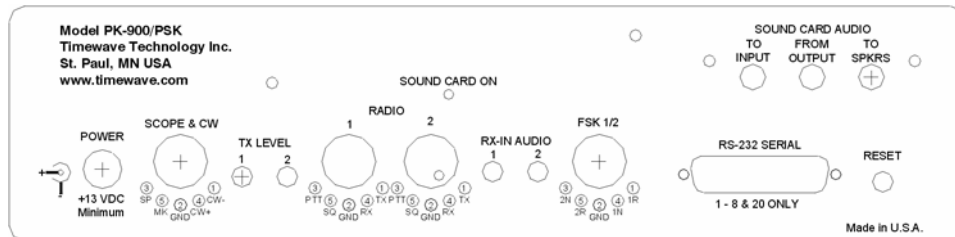


Figure 3-6 PK-900 Rear Panel AFSK TX level Controls

9. With the PK-900 keying the transmitter and sending the higher of the two tones, adjust the transmit audio level for the port you are calibrating as follows:
  - o Listen to the monitor receiver; turn the PK-900's rear-panel AFSK Output Level adjustment screw clockwise (CW) until you hear no increase in output level in the receiver.
  - o Rotate the AFSK Output Level adjustment screw counterclockwise (CCW) until the audio signal on the monitoring receiver is slightly but noticeably reduced from the maximum level. This is the proper AFSK level setting.

NOTE: If you find the "correct" AFSK level setting occurs in the first 20% of the potentiometers range, the adjustment may be difficult. If you find this adjustment difficult, the internal AFSK level jumper may be moved to the LOW setting which will improve the adjustment range of the potentiometer.

To locate the internal AFSK level jumpers in the PK-900, remove the four screws that secure the top chassis, and carefully remove it by lifting straight up.

Look for jumpers JP5 and JP6 near the radio port connectors at the rear of the PK-900 as shown in figure 3-7 below.

Jumper JP6 controls the output level of radio port 1, and jumper JP5 controls the output level of port 2. When the jumper is towards the front, the output level is HIGH. Move the jumper for the radio port being adjusted to the rear two pins to set the AFSK output level to LOWER range. Repeat step 9 when this has been completed.

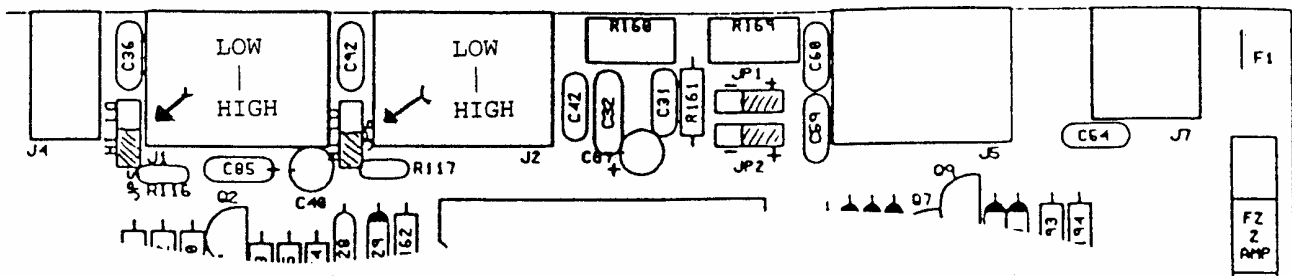


Figure 3-7 PK-900 AFSK HI/LOW Level Jumpers

10. Type "K" to return to receive mode.
11. Type "Q" to "Quit" (exit) the calibration routine.

You've now set your FM transmitter's deviation to an approximate level which will be adequate for operation.

12. With your radio in the receive mode, open the squelch control so that a steady hiss or noise is heard on a speaker.
13. If using radio port 1, set the receiver's volume control to a comfortable listening level. With the receiver unsquelched but with no signal present, adjust the THRESHOLD control so the DCD LCD on your PK-900 just lights. This is the approximate proper level for best receive performance from your PK-900's modem. If using radio port 2. Normal listening levels will activate the DCD with received signals.
14. Reset your receiver's squelch control for normal operation.

### 3.5.2 SSB Transceiver Final Adjustments

Digital modes with an SSB radio require some different settings of the radio's operating controls for proper AMTOR and packet operation. Be sure to observe the following setting recommendations:

- o Set VOX to OFF.
- o Set speech compression to OFF.
- o Set AGC to FAST (if available).
- o If you wish to use an external RF amplifier in AMTOR, PACTOR or Packet, disconnect the ALC cables between your SSB radio and the external RF amplifier.

Remember - Baudot and ASCII RTTY and Mode B (FEC) AMTOR are continuous key-down conditions - Your radio's duty cycle is 100% for the duration of each transmission. If your SSB radio isn't designed for continuous full-power operation, you must operate your radio at reduced output power. Consult the manufacturer's specifications for details on the operating duty cycle.

NOTE: Make all connections with all power off.



1. Connect your PK-900 and SSB radio as shown in Figure 3-5.
2. Turn on your PK-900 and your computer and start your terminal program.
3. Connect your SSB radio to a dummy load.
4. If your SSB radio has a "monitor" facility, i.e., an audio output that lets you listen to the audio signals entering the microphone or phone patch jacks, turn that monitor circuit on.
5. Set the radio's MODE selector to LSB (lower sideband).
6. Set the radio's meter switch to the "ALC" position. If the radio doesn't have an "ALC" indication, set the meter switch to "Ip" or "Ic" to read plate/collector current. If a current reading isn't available, set the meter to indicate power output.
7. If you are using an AEA program such as PC-PAKRATT, COM-PAKRATT or MACRATT, you must enter the Dumb-Terminal mode (see program manual) to access the CALIBRATE Mode described below.
8. Enter the Calibrate mode by typing: "CAL <Enter>."

NOTE: In the Calibrate mode only, the "K" key toggles the transmitter PTT line on and off. The "SPACE BAR" toggles the PK-900's tone generator from "Mark" (the lower pitched tone) to "Space" (the higher pitched tone). The PK-900 has a transmit watchdog timer circuit that unkeys your transmitter automatically after sixty (60) seconds. As you perform the following adjustments, unkey periodically, then rekey the transmitter by typing "K."

9. Adjust the transceiver's Microphone Gain control to its minimum setting.
10. Press the "K" key on the keyboard to key the transmitter. Increase the transceiver's microphone gain control until you hear a continuous tone in the radio's monitor output.
11. If you are able to hear the tones in radio's speaker, tap the space bar several times until you hear the lower pitched of the two tones ("Mark").
12. With the PK-900 keying the transmitter and transmitting the lower of the two tones, adjust the transmit audio level as follows:
  - I. Rotate the microphone gain control clockwise (CW) approximately in the one-quarter ON position. You may also set it to the position used for SSB operation.
  - II. Turn the PK-900's rear-panel AFSK Output Level adjustment screw clockwise (CW) until the ALC meter shows a small deflection from the unmodulated reading. Check the radio's plate/collector current or output power indicators.

III. Adjust the AFSK Output Level control until the radio's indicators show approximately thirty percent (35%) of the manufacturer's rated full-power reading.

EXAMPLE: If the manufacturer's plate/collector current specification for CW operation is 200 mA, set the AFSK Output Level control and your microphone gain control so that the plate/collector current indicates 75 mA.

IV. Your radio may be able to operate at higher output levels. Consult your radio manual.

NOTE: If you find the "correct" AFSK level setting occurs in the first 20% of the potentiometers range, the adjustment may be difficult. If you find this adjustment difficult, see the NOTE in step 9 of the FM adjustment section on page 3-9 of this manual. Repeat step 12 when this has been completed.

13. Type "K" to return to receive mode.

14. Type "Q" to "Quit" (exit) the calibration routine.

You have now set the PK-900's transmit audio output level and your SSB radio's microphone gain control to an approximately correct level for all operating modes.

NOTE: For packet radio operation, the radio's microphone gain control can be adjusted to produce the full output power recommended by the radio manufacturer. Packet is a "bursty" mode and the transmitter is keyed on and off automatically by the PK-900. The resulting duty cycle is much less than 100% and full-power operation is generally acceptable.

15. With your radio in receive mode, tune the receiver to a clear, unoccupied frequency.

16. Set the receiver's audio volume control (AF GAIN) to the position you would normally use for CW reception. This is the approximate receiver audio output level for best receive performance from your PK-900's modem.

### 3.6 Oscilloscope Connections

Some operators prefer to use an oscilloscope for tuning. Radio port 1 provides mark and space outputs for driving the vertical and horizontal inputs of an oscilloscope as shown below.

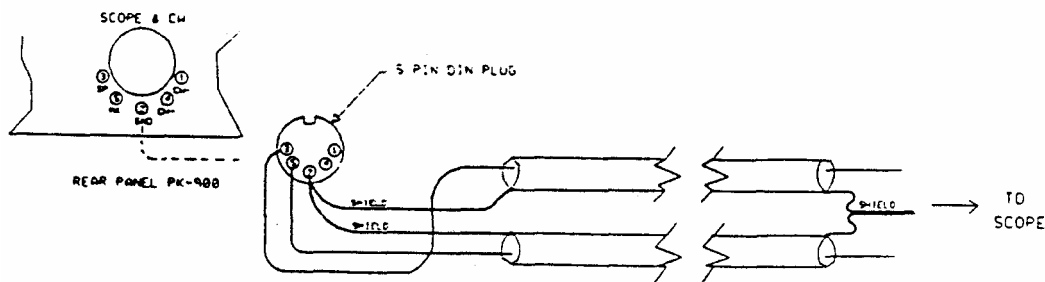


Figure 3-8 PK-900 Oscilloscope Connections

## CHAPTER 4

### PACKET RADIO

#### 4.1 Overview

In the last several years Packet has grown to become perhaps the most popular digital mode on the amateur bands. Although Packet can be found on HF (primarily on the 20 meter band) it is most popular on the VHF and UHF FM bands. This chapter will start with general Packet operation and then discuss VHF and UHF Packet. Packet on the HF bands requires some special considerations, so we will leave it until the end of this chapter.

Your PK-900 can operate HF or VHF Packet (on Radio port 2) and any other digital mode on Radio port 1 at the same time. This feature can come in handy allowing you to keep an "ear" on local packet activity while operating on any of the other digital modes normally found on HF. Sorting out the data from both Radio ports also requires some special considerations and will be discussed later in the chapter after HF Packet operation has been covered.

##### 4.1.1 Getting Started

You can learn quite a bit about Packet operation with the PK-900 before even connecting it to a transceiver. For your first packet practice, the PK-900 will be connected in a "loopback" circuit as done in the "Quick Check" performed in Chapter 2. In this configuration, the PK-900 will "talk to itself" which allows you to become familiar with packet before actually going on the air.

##### 4.1.2 Making the Loopback Connection

Make sure the PK-900 is turned OFF and power is removed before performing one of the following.

- I Locate the WIRE "Loop-back" jumper and insert it into pins 1 and 4 of the RADIO-1 connector on the PK-900 rear panel.
- II If you cannot locate the wire "Loop-back" jumper and have a spare Radio cable, you may construct the following:
  1. Get the unused Radio Cable mentioned in Chapter 3.
  2. Strip about 1/4 inch of insulation from the Green and White wires at the "radio" end of the cable.
  3. Join the Green and White wires by twisting them together gently.
  4. Insert the 5-pin DIN connector end of the cable into the "RADIO-1" connector on the PK-900's rear panel.
  5. Go on to section 4.2.

## 4.2 Packet Introduction

You've now connected your PK-900's transmit audio output to its receive audio input. Your PK-900 can now "talk to itself" in packet.

1. Set the rear-panel AFSK level control for RADIO-1 at 50% (straight up and down) for the following Packet introduction.

NOTE: If you have adjusted the RADIO-1 rear-panel AFSK level control for a particular transceiver in chapter 3, then mark this setting with a pencil so it can be reset when finished.

2. Turn on your computer. Load and run your communications program.

If you are using an AEA PAKRATT Program, follow the program manual's instructions to enter the Packet mode on Radio Port 1, and then skip to step 4.

If you are using another Computer program or a Terminal, set the communication parameters as done in Chapters 2 and 3.

3. Press the PK-900's front panel power switch to the ON position if you have not already done so.

You should notice the sign-on message seen in chapter 2. The LCD Status display should indicate you are in the Packet mode.

4. After you have seen the sign-on message and/or entered the Packet mode, you must enter your own callsign (with the MYCALL Command) if you are to converse with any other Packet stations. If you try to connect to a station without entering your call sign, your PK-900 will send you the following message:

```
?need MYcall
```

If you are an SWL and do not intend to transmit, you should enter "AAA" as a Callsign (MYCALL).

If you are using an AEA PAKRATT program, follow the instructions in the Program Manual to enter your callsign. If you are using a terminal or terminal emulating program on your computer, you must use the MYCALL command to install your call sign.

Note that since the PK-900 has two radio ports, you must enter a callsign for each port. The callsigns may be the same, or can be different to make life a little easier in the "two Ham" family. You must change the callsign from the default "PK900" on each radio port, or that port will not transmit packets. For example, if your Callsign is WX2BBB, enter the following:

```
cmd:MYCALL WX2BBB/WX2BBB <Enter>
```

The PK-900 will respond with:

```
MYcall was PK900/PK900
MYcall now WX2BBB/WX2BBB
```

Both Packet radio ports will now assume the callsign WX2BBB.

5. If you are using an AEA program follow the instructions in the Program manual to CONNECT in packet mode to your own callsign (the one you just entered in MYCALL).

If you are using a Computer Terminal or a non-AEA program, entering the following after the "cmd:" command mode prompt will cause the PK-900 to Connect to yourself:

```
CONNECT (your callsign) <Enter>
```

After pressing <Enter>, you should observe the RADIO 1 TX LCD and DCD LCD light briefly, and the TUNING bar graph spread.

After a few moments, your monitor should display:

```
*** CONNECTED to (your callsign)
```

Notice that the front panel RADIO 1 Connect LCD shows CONNECTED. You may also notice that the CONVERSE LCD is also on indicating that the PK-900 is ready to CONVERSE with the station (in this case it is yourself).

This is how a packet connection is established. Whether you are "Connecting" to another Amateur, a Packet Bulletin Board System (PBBS) or a Networking Switch (more on this later) this initial procedure must be used to establish each and every Connection.

6. Type a few characters to yourself such as "Hello this is my first packet Connect. My name is ..." then press the <Enter> key.

Shortly after pressing the <Enter> key, you should see the message you typed reappear on your screen. If you had connected to a distant station, they would have seen the message you typed appear at nearly the same time.

7. After you have typed a few lines (packets) to yourself, you will probably want to end the connection or "DISCONNECT". If you are using an AEA program, follow the instructions to DISCONNECT from the packet station you are talking to.

If you are using a Computer Terminal or a non-AEA terminal program, the following will cause the PK-900 to DISCONNECT:

Enter <CONTROL-C> (hold down the Ctrl and then type the letter C). Your monitor should respond with the command prompt:

```
cmd:
```

Enter the following: D <Enter>.  
Your monitor should respond with:

```
cmd:*** DISCONNECTED: (your callsign)  
p1 (your call)*>(your call) (UA)
```

Note that the front panel CONNECT LCD will change to DISCONNECTED indicating that you are no longer connected.

8. You have just done the three things necessary in any Packet QSO.
  - o You started the QSO (with yourself) by CONNECTing. (Step 5)
  - o You sent some information (to yourself) and then received the information that you sent. (Step 6)
  - o You then ended the QSO by DISCONNECTing. (Step 7)

Repeat steps 5, 6 and 7 above until you feel comfortable with Connecting, exchanging information and Disconnecting. These operations will be performed each time you use Packet so they should be second nature to you before going on the air.

When you feel comfortable Connecting, sending information and Disconnecting, you are ready to start listening to VHF packet.

9. Turn OFF and remove power from the PK-900.
  - o Return the Port 1 rear-panel AFSK level potentiometer to the setting you marked in Step 1, if any.
  - o Remove the "Loop-back" jumper from the RADIO-1 port and reconnect your transceiver or receiver set-up in Chapter 3.

#### 4.3 VHF/UHF Packet Operation

We will first listen to (and watch) some of the VHF or UHF Packet activity in your Local Area. This will allow you to become a little better acquainted with packet in your area before going "On The Air".

1. Construct a Radio Cable for the VHF/UHF transceiver you intend to use for Packet as described in Chapter 3 and connect your transceiver to the RADIO-1 connector on the PK-900 rear panel.
2. Load and run your communications program and enter the Packet Mode as done in the Packet Introduction section above.
3. Set Radio Port 1 for VHF Packet operation (default) as follows.

If you are using an AEA program, follow the instructions to select the VHF modem on Port 1 by turning the VHF Parameter ON, this will automatically set the radio baud rate HBAUD to 1200.

If you are using a Computer Terminal or a non-AEA terminal program, the following sets the VHF mode of the PK-900:

Type <CONTROL-C>. (Type C while pressing the <Ctrl> key down.)  
Your monitor should respond with the command prompt:

cmd:

Then enter VHF ON <Enter>  
Your monitor should respond with:

Vhf was OFF/ON  
Vhf now ON/ON

Then enter HB 1200 <Enter>  
Your monitor should respond with:

HB was 300/1200  
HB now 1200/1200

4. Turn ON your VHF or UHF FM transceiver and tune to a known packet channel in your area. Most packet operation is on simplex, so the repeater offset on your transceiver should be disabled. If you know there is packet in your area, but do not know the frequency, you should try some of the following frequencies:

2 meter (144 MHz) band:

145.01 MHz, 145.03 MHz, 145.05 MHz, 145.07 MHz, 145.09 MHz  
144.99 MHz, 144.97 MHz, 144.95 MHz, 144.93 MHz, 144.91 MHz

1-1/4 meter (220 MHz) band:

223.40 MHz, 223.42 MHz, 223.44 MHz, 223.46 MHz, 223.48 MHz

70 cm (440 MHz) band:

440.975 MHz, 441.000 MHz, 441.050 MHz, 441.025 MHz, 441.075 MHz

You know you've found a packet channel when you hear the characteristic "Braaaaaap" sound of packet transmissions.

5. Once you've found an active packet channel, you must make sure you have enough receive audio (volume) from your transceiver to light the DCD LCD on the PK-900 when a packet is being received. If the DCD LCD does not light when packets are received, either there is not enough receiver audio or the Threshold control is turned too far counter clockwise.

You must also make sure that the DCD LCD goes out when no packet signals are present on the channel. If the DCD LCD does not go out when the channel is clear, make sure the Squelch control on your transceiver is set high enough to silence the speaker. If the DCD LCD stays on when the packet channel is quiet, your PK-900 will not send packets to other stations.

#### 4.3.1 What You Should See

If all is operating properly, you should see some packets on your screen. Some typical packets you might "Monitor" are shown below:

```
p1 N7ALW*>WA7GCI [C]
p1 WA7GCI*>N7ALW (UA)

p1 K6RFK>N7ALW*>N7GMF:
Goodnight John, its been nice talking to you.

p1 N7ALW*>WA7GCI:
Hi Bob, how are you this evening?

p1 KD7NM*>MAIL:
Mail for: K6RFK N7ML

p1 N7HWD-8*>ID:
NET/ROM 1.3 (SEA)

p1 SEA*>N7ML:
SEA:N7HWD-8> Connected to #SEA:N7HWD-7

p1 K6RFK>N7ALW*>N7GMF [D]
N7GMF>N7ALW*>K6RFK (UA)
```

NOTE: You will probably see data (Packets) on the tuning bar-graph which do not print on the screen. This is normal and is a function of the MONITOR and the MPROTO commands.

#### 4.3.2 What It Means

There are different types of packets that mean different things to the PK-900. Your PK-900 keeps track of and knows what to do with the packets so users need not be concerned with them most of the time. Since the PK-900 can "Monitor" all Packet activity on a channel, we'll briefly discuss the types of packets you will most often see. Skip to the next section if you do not plan on doing much monitoring.

Let's look at the first packet in the examples above and get acquainted with what it all means.

```
p1 N7ALW*>WA7GCI [C]
```

The first two characters in monitored packets represents which radio port "heard" the packet and will be either "p1" or "p2". Every single packet you send will have your callsign (the one you just entered in MYCALL) as the first callsign of the packet. The callsign after the ">" is the next station the packet will go to. So the packet listed above originates from N7ALW and is being sent to WA7GCI. All packets will have at least these two callsign fields.

The "[C]" immediately following the two callsigns identifies this packet as a CONNECT Request. So we see that N7ALW is requesting a packet CONNECTION with WA7GCI.



The second packet in the above examples is a response to the first.

```
p1 WA7GCI*>N7ALW (UA)
```

In this case we see that WA7GCI is sending to N7ALW by the order of the callsigns. This packet acknowledges the Connect request as shown by the "(UA)" which stands for Un-numbered Acknowledge.

One benefit of packet radio is that packets can be relayed or "digipeated" by stations on the same frequency. In fact, packets can be relayed by up to eight stations to reach a distant station that cannot be heard directly. In practice, digipeating through many stations does not work very well, but you will often see packets digipeating through one or two stations to reach their destination. The packet shown below is an example of a digipeated packet.

```
p1 K6RFX>N7ALW*>N7GMF:
Goodnight John, its been nice talking to you.
```

This packet originated from K6RFX and is being sent to N7GMF but is "Digipeated" through the station N7ALW. We also see that this packet contains data by the text "Goodnight John...". Another thing that should be noticed in this packet is the asterisk (\*) in the first line. The asterisk tells which station was actually heard sending the packet. In this case, we can see that we actually heard the digipeating radio station N7ALW. Without the asterisk, we could not tell whether the transmission came from radio station K6RFX or N7ALW. More will be discussed about digipeating later, but the above example is typical.

The following packet is a data packet from N7ALW to WA7GCI.

```
p1 N7ALW*>WA7GCI:
Hi Bob, how are you this evening?
```

Remember that in the first example we saw the two stations Connect. Now that they are connected, they may exchange data packets.

The following packet is a Beacon packet from KD7NM. Since we see the packet is addressed to "MAIL" we know KD7NM is probably a Packet Bulletin Board System (PBBS).

```
p1 KD7NM*>MAIL:
Mail for: K6RFX N7ML
```

The data section of this packet says "Mail for: K6RFX N7ML". This Beacon lets people know that K6RFX and N7ML have mail waiting on the KD7NM PBBS without having to connect.

The following Beacon packet is intended as identification for a NET/ROM level-3 packet networking switch.

```
p1 N7HWD-8*>ID:
NET/ROM 1.3 (SEA)
```

In this case, the Packet Switch is using the callsign N7HWD-8, but also uses the alias SEA as a callsign. There are many types of Packet Switches now in use, but NET/ROM is one of the most popular. We will briefly discuss using a NET/ROM switch later in this chapter since most switches operate in much the same way.

The packet below was sent by the network switch SEA to N7ML.

```
p1 SEA*>N7ML:
SEA:N7HWD-8> Connected to #SEA:N7HWD-7
```

The packet above from SEA contains the data "SEA:N7HWD-8> Connected to #SEA:N7HWD-7". This message tells N7ML that he is now connected to another port on the SEA Node named #SEA. Again, we will talk more about how and why N7ML might want to do this later in the chapter.

The following packet is again from K6RFK to N7GMF and is being digipeated through N7ALW. This packet indicates that K6RFK is finished talking to N7GMF and wants to Disconnect. Again we see that we are not hearing K6RFK, rather we are hearing N7ALW as indicated by the asterisk (\*) after the callsign.

```
p1 K6RFK>N7ALW*>N7GMF [D]
```

The following packet is an acknowledgment (or simply called an ACK) that lets K6RFK know that N7GMF has acknowledged the Disconnect request sent above. K6RFK and N7GMF are no longer Connected.

```
p1 N7GMF>N7ALW*>K6RFK (UA)
```

As can be seen, all of the above examples were heard on radio port 1 of the PK-900. If a second radio was connected to radio port 2, we would have seen some monitored packets prefaced with a "p2" as well. See section 4.8 for more information on controlling both radio ports when you are ready.

NOTE: Some applications software such as PB and PG for Amateur Satellite use have problems with the port designators "p1" and "p2" in front of monitored packets. To disable the port designators "p1" and "p2" from appearing turn OFF User Bit 19 (UBIT 19) by typing "UBIT 19 OFF <Enter>" at the command prompt.

### 4.3.3 What Happens When You Connect

If you are working with a friend who is familiar with packet, you may want to skip to section 4.4. If you are on your own, the following three sections will help you learn what to expect on VHF/UHF packet.

There are three different kinds of packet stations you are likely to encounter in your first Connects: Standard TNCs, Mailbox Systems and Network Switches. The following sections discuss each station type.

#### 4.3.3.1 Standard TNCs

When you first turn on your PK-900, it becomes a standard AX.25 packet TNC (Terminal Node Controller). All TNCs and Multimode controllers have this capability. When you Connect to a TNC, in most cases you will be connecting directly to someone's computer screen. If you see an automatic Connect Message (CMMSG) similar to the one below, you know you have reached a TNC.

```
Welcome to my packet station. If I don't respond, please
leave a message and Disconnect.
```

If you get a message like this when you connect to another station, usually you would type something like "Are you there?". If you do not see a response from the other station in a minute or so, simply leave a message - just like a telephone answering machine.

The TNC at the other station should then hold your message until the operator returns to his computer. Later we will discuss how your PK-900 can do the same for messages it receives from others.

#### 4.3.3.2 Mailbox Message Systems

Although Standard TNCs allow incoming messages to be saved, there is no way for the owner to leave a message for someone who will connect at a future time. The ability to both send and receive messages without the owner being present is accomplished by a Mailbox.

There are many different Packet Mailbox systems in use. Some systems are large and require the use of a dedicated computer. Other systems are small like the personal MailDrop built into your PK-900.

Large systems are often called Packet Bulletin Board Systems (PBBS) since they serve as electronic message centers for a local area. PBBS's are a source of information as well as a gateway for messages that can be sent to and received from other parts of the country or world. You will probably want to locate the local area PBBS nearest you and connect to it from time to time.

Mailbox systems are easy to use and most operate in much the same way. Most Mailboxes and other automatic systems usually have Help available by sending an "H" or "?". If you connect to a Mailbox such as a PK-900 MailDrop you will see something like the following:

```
*** CONNECTED to KD7NM
[AEA PK-900] 17480 free (A,B,H,J,K,L,R,S,V,?) >
```

If you get something like this when you connect to another station, try typing an "H" or a "?" to get a help list as shown below:

```
A(bort)   Stop Read or List
B(ye)     Log off
H(elp)    Display this message
J(log)    Display stations heard
K(ill)    K n: Kill message number n
          KM : Kill messages you have read
L(list)   L  : List message titles
          LM : List messages to you
R(ead)    R n: Read message number n
          RM : Read all your unread messages
S(end)    S  : Send a message to SYSOP
          S n: Send a message to station n
?         Same as H(elp)
[AEA PK-900] 17480 free (A,B,H,J,K,L,R,S,V,?) >
```

There are quite a few options available on the MailDrop, but the most commonly used commands are L(list), R(ead), S(end) and K(ill) message.

For example, you may first want to LIST all the messages that are available on a mailbox that you connect to. This is done by simply sending "L" or "LIST" command to the system you have just connected.

If you are interested in any of the message subjects that appear, you may then READ the messages that interest you. To read a message, simply send the command "R (message number)", where (message number) is the number of the message you are interested in.

After you are finished reading messages, you may want to SEND a message to the SYSOP (short for System Operator) or to another user. To send a message simply enter "S (callsign)" where (callsign) is the call of the station you are sending the message to.

When you are finished Listing, Reading and Sending messages, you will want to send the Bye command to log-off (disconnect) from the Mailbox.

Feel free to experiment with Mailboxes and other packet systems. Remember that most automatic systems will send you help on commands if you send an "H" or "?". For more information on setting up and using your own PK-900 Maildrop, see Chapter 5 on MailDrop Operation.

#### 4.3.3.3 Packet Switches and "Nodes"

When Amateur Packet radio was first beginning there were not many stations on the air. Amateurs at that time "digipeated" through many stations (up to 8) to connect to others over long distances. As more users became active on packet, digipeating quickly proved to be an inefficient way of relaying packets through even a very few stations.

To solve this problem, Amateurs began working on more efficient "higher level" ways of routing packets over long distances. NET/ROM (tm), ROSE, TCP/IP and TEXNET are some of the higher level protocols that emerged and are currently in use around the world.

NET/ROM, developed by Software 2000, quickly became a standard that others imitated. Many networking "Nodes" today use a similar if not identical set of commands. We will discuss the typical NET/ROM commands you will likely encounter when connecting to a packet switch.

When you connect to a NET/ROM Node you will not initially get any prompt. Since NET/ROM commands are few and easily memorized, they did not see a need to clutter the channel with prompts. Like other automatic systems however, if you send an "H" or a "?" for Help you can expect to get a "Help" response similar to the following:

```
SEA:N7HWD-8> Invalid Command (CONNECT INFO NODES ROUTES USERS)
```

In our example, the line above is from the Seattle node, simply known as SEA. The callsign for the node is N7HWD-8. "Invalid Command" means that the node did not understand the command you sent, so it returned the above "help" line to remind the user of the commands it knows. These are CONNECT, INFO, NODES, ROUTES and USERS.

Most often you will use the nodes CONNECT command to connect to other stations. Once you have connected to the node, simply send the command "CONNECT (callsign)" or simply "C (callsign) where (callsign) is the call of the packet station you want to connect to that is in range of the node.

Not everyone you want to talk to is in range of your local Node. Fortunately, NET/ROM will learn about other nodes it can reach and allow you to connect to these nodes as well. To find out what other nodes your local station can reach, simply type the command "NODES" after you connect. This will display something like the following:

```
SEA:N7HWD-8> Nodes:
BALDY:WB6VAC-8      BOI:W7SC           BOISE:N7FYZ-8      COE:KK7X-4
ELN:N7HHU-8        EVT:KA7VEE-8      LSO:K7ZVV-8       MCW:WB7DOW-12
MSO:W7DVK-5        OLY:K7APT-8       PDT:N7ERT-5       PDX7:KA7AGH-8
PTN:K7TPN-8        RLIMB:W0RLI-2     SALEM:AF7S-1      SEAW:N8GNJ-8
SPOKN:WB7NNF-8     SVBBS:KA7RNX      TAC:W7DK-8        YKM:K3GPJ-8
```

When you connect to a node (either directly or through another node) you may want to know who else is using that particular node. Type the command "USERS" to find out who is using the system. You will see your own call in the list as well as anyone else who is using the node. An example is shown below:

```
SEA:N7HWD-8> NET/ROM Version 1.3 (662)
Uplink(W7MCU)                <-->  Downlink(W7MCU-15 WA7ZUE)
Circuit(SEAW:N8GNJ-8 KA7RZK)
Uplink("your callsign")
```

The IDENT command simply sends you an identification packet from the node that may give its location and owner as shown below:

```
SEA:N7HWD-8> NORTHWEST AMATEUR PACKET RADIO ASSOCIATION
145.01 MHZ, USER LAN, GRASS MTN.
Local BBS is N7HFZ
```

The ROUTES command provides routing information about other nodes that can be reached.

A complete discussion of NET/ROM is beyond the scope of this manual, but we hope the above information will help get you started. Certainly the CONNECT, NODES and USERS commands will allow you to navigate through the network, and find new people to talk to.

#### 4.3.4 Who Can I Talk To?

Now that you understand a little about the different packets and packet stations, you are ready to make your first real connection.

If you do not have a friend on Packet in your local area, then you will want to choose a station you can reach. Fortunately the PK-900 has a command called MHEARD that displays the list of the 18 most recently heard stations. Check this list in one of the following ways:

- I If you are using an AEA PAKRATT program, follow the instructions in the program manual for checking the Packet MHEARD list.
- II If you are using a Terminal or Terminal Program on your computer, then first type a <CTRL-C> to make sure you are in the PK-900 Command (cmd:) mode. Then type the command MHEARD as shown. You should then see a display similar to the one below.

```
cmd:MHeard
..... p1 N7GMF
..... p1 K6RFK
..... p1 SEA*
..... p1 N7HWD-8*
..... p1 KD7NM*
..... p1 N7ALW*
..... p1 WA7GCI*
cmd:
```

The callsigns in the list are the stations heard by your PK-900 with the most recently heard station at the top of the list. As in the Monitored packets, the asterisks (\*) indicate that the station was heard directly by the PK-900. The callsigns without an asterisk were relayed by another station and so cannot be connected to directly. The "p1" means the station was heard on radio port 1.

#### 4.3.5 Your First Real Connect

Choose one of the stations with an asterisk displayed in YOUR MHEARD list, or a friend that you know is "on the air" near to you.

If you are using an AEA PAKRATT program, follow the instructions to CONNECT in Packet mode to the callsign you chose above.

If you are using a Computer Terminal or a non-AEA program, entering the following after the "cmd:" command mode prompt will cause the PK-900 to Connect to the station (Callsign) chosen above:

```
CONNECT (Callsign) <Enter>
```

After pressing <Enter>, you should observe the TX LCD light.  
Your monitor should soon display:

```
*** CONNECTED to (Callsign)
```

If you see this, you have just Connected to your first packet station. Identify what type of station you have connected to, and respond appropriately. After you have connected to a few stations, you should skip to section 4.4 to learn more about the PK-900 packet features.

#### 4.3.6 I'm Having Trouble Connecting

If the station you are trying to connect to is connected to someone else, you may see the following message:

```
*** BUSY from (Callsign) DISCONNECTED
```

If you see this, simply wait a few minutes and try again or try connecting to a different station from your MHEARD list.

If the distant station cannot hear you, you may see the following:

```
*** Retry count exceeded  
*** DISCONNECTED:
```

A number of different things can cause this to occur. It may simply be that the station you are trying to connect to is out of your transmitter's range. It is possible however that something more serious is wrong, so you should check the following before proceeding:

- o The Loopback Test in section 4.2 functions properly.
- o Your PK-900's AFSK Output Level control, radio microphone gain, and deviation are set properly as discussed in Section 3.5.1.
- o All cables and connectors are properly installed.
- o Your radio's volume and squelch are set for local conditions.
- o You are following the correct procedure for Connecting. Remember that this procedure is slightly different for AEA PAKRATT programs than it is for terminals or terminal programs.
- o The "VHF" command is "ON" for VHF/UHF operation.
- o HB is set to 1200
- o RESET the PK-900 with the RESET command or RESET switch and start over with section 4.2 of this chapter.

If none of the above correct the problem, ask one of your area's experienced packet operators to listen to your transmissions. Both you and your partner should set MONITOR and MCON to 6, and then send some packets. Each station should display packets sent by the other.

- o If only one station is "hearing" packets, check the modulator and transmitter of that station and the demodulator and receiver of the other station.
- o Experiment with the TXDELAY parameter for the sending TNC. Try setting TXDELAY 64 for a long delay. If this solves the problem, decrease TXDELAY to the smallest value that works all the time.

If you still cannot connect to other stations, then you should contact AEA Technical Support as outlined in the PREFACE of this manual.

4.4 More Packet Features

Now that you have worked a few packet stations, it is time to learn a little more about the other packet capabilities of the PK-900. Rather than explain all the features in detail, we will leave the specifics to the command descriptions in the Command Summary Appendix.

4.4.1 LCD Status and Mode Indicators

Your PK-900 front panel display is divided into four sections as shown below:

RADIO 1		TX	DCD	RADIO 2 TX DCD	
MODE		TOR		DISCONNECTED	
MORSE BAUDOT	FEC	SEL-FEC	UNACKNOWLEDGED		
ASCII FAX SSTV	ARQ	NAVTEX	SYSTEM		
SIAM TDM EXP	ARQ L	FACTOR	HOST COMMAND	MULT CONVERSE	
PACKET	IDLE	TRAFFIC	TRANSPARENT		
DISCONNECTED	REQUEST	ERROR	MAIL		
UNACKNOWLEDGED	PHASE	STANDBY	MARK ----- SPACE		
MARK	OVER COMPRESS				

PK-900's Front Panel LCD Indicators.

The left two thirds of the LCD display contain information relating to the operation of radio port 1.

The upper right third of the LCD display contains information about the operation of Radio port 2.

The middle of the right third of the LCD display contains system information.

The very bottom of the LCD display is a 20 segment bargraph used for tuning Radio port 1.

Your PK-900's front-panel LCD display shows the Status of each Radio Port at a glance. The following describes the function of each of the LCD annunciators.

NAME	DESCRIPTION	LCD FUNCTION
RADIO 1	Column Heading	On when port 1 enabled
RADIO 2	Column Heading	On when port 2 enabled
DCD	Data Carrier Detect	Lit when data signals are received
TX	Send	Lit when PTT line is active
MODE	Column Heading	Always on. Indicates operating mode of port 1
MORSE	Morse Code Mode	Lit when in Morse mode
BAUDOT	5 Level RTTY Mode	Lit when in Baudot mode



NAME	DESCRIPTION	LCD FUNCTION
ASCII	7 Level RTTY Mode	Lit when in ASCII mode
FAX	Facsimile Mode	Lit when in Facsimile
SSTV	Slow Scan TV Mode	Lit when in SSTV mode
SIAM	Signal Identification Mode	Lit when in SIAM mode
TDM	Time Division Multiplex Mode	Lit when in TDM mode
EXP	Used for testing	Lit when test inpt high
PACKET	Packet Mode	Lit when in packet
DISCONNECTED	Packet status	Lit when not connected
DISCONNECT	Packet status	Lit when disconnecting
CONNECT	Packet status	Lit when connecting
CONNECTED	Packet status	Lit when connected
UNACKNOWLEDGED	Packet status	Lit when you have sent a packet that has not yet been acknowledged
ACKNOWLEDGED	Packet status	Lit when all your packets have been acknowledged.
TOR	AMTOR Mode	Lit when TOR mode
FEC	AMTOR or PACTOR Mode	Lit when in FEC mode
ARQ	AMTOR or PACTOR Mode	Lit when in ARQ mode
ARQ L	ARQ Listen mode	Lit when in ARQ L mode
SEL-FEC	AMTOR Selective Calling Mode	Lit when is SEL-FEC
NAVTEX	NAVTEX Mode	Lit when in NAVTEX
PACTOR	PACTOR Mode	Lit when in PACTOR
IDLE	TOR Status	Lit when no data is received from an active channel
REQUEST	TOR Status	Lit when data receiving station requests repeat.

NAME	DESCRIPTION	LCD FUNCTION
PHASE	TOR Status	Indicates synchronization of the ARQ calling ARQ listen signal
OVER	TOR Status	Indicates changeover of data transmission direction
TRAFFIC	TOR Status	Indicates data reception or transmission.
ERROR	TOR Status	Indicates reception of erroneous data
STANDBY	TOR Status	Lit when not receiving transmitting
COMPRESS	TOR Status	Lit when sending or receiving compressed data
SYSTEM	Column Heading	Always on.
HOST	System status	Indicates system is in host mode. Used for PCPackratt program
MULT	System Status	Lit when multiple connections exist Blinks when receive buffer is full
TRANSPARENT	System Status	Indicates transparent mode.
COMMAND	System Status	Indicates the PK-900 is able to accept commands
CONVERSE	System Status	Lit when the PK-900 is ready to send data
MAIL	Mailbox Status	Lit when mailbox contains information
MARK	Bargraph	Indicates mark end of tuning indicator
SPACE	Bargraph	Indicates space end of tuning indicator

#### 4.4.2 Automatic Greetings

You can tell your PK-900 to send an automatic greeting (CTEXT) to any station that connects to you. This can be used to tell others

that you are out of the shack and to leave you a message or for any other message you would like to send.

To enable the CTEXT message, set your Connect Text message using the CTEXT command. Then set CMSG ON to enable the Connect Message feature. Think of the CTEXT message as the message your telephone answering machine might give to a caller.

#### 4.4.3 Beacon Operation

Your PK-900 can send an automatic "beacon" message at a specified time interval. A beacon can send special announcements, or let others know you are on the air. To enable beacon operation do the following:

- o Set your beacon message with the BTEXT command.
- o Set the beacon interval using the BEACON EVERY or AFTER command.
- o A beacon frame is sent to the path given in the UNPROTO command.

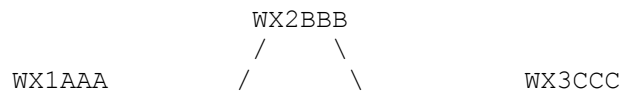
In the early days of packet, the beacon was useful to show your presence on the packet channel. With the growth of packet, many users feel that beacons have outlived their usefulness and interfere with traffic. Use your beacon with consideration for others.

As a reminder, if you set the BEACON timing at a value considered too small for busy channels (less than "90"), you'll see:

WARNING: BEACON too often

#### 4.4.4 Digipeater Details

You may wish to connect to a packet station that is beyond your direct radio range. If a third packet station is on the air and both you and the station you want to talk to are in range of that third station, the third station can relay or "digipeat" your packets. You simply set the "digipeater" routing when you connect. Here's a sketch that shows how digipeating can solve problems:



You are station WX1AAA - you want to have a packet QSO with WX3CCC. There is a mountain between you and WX3CCC; you're out of simplex range of each other. However, you know that there's a packet station located on the ridge - WX2BBB - which is in range of you and WX3CCC.

Instruct your PK-900 to set up a connection to WX3CCC using WX2BBB as an intermediate digipeater. When you initiate the Connect, type: "CONNECT WX3CCC VIA WX2BBB".

If WX2BBB has turned off his station, you can still contact WX3CCC by going around the ridge through WX2DDD and WX2EEE as shown:



Understanding all types of packet frames is not necessary to operate packet. Packet operators should however understand that there are many types of control frames that do not contain printable data.

Your PK-900 can display these frames, but most users only want to see frames with information. For this reason, the MONITOR command default (4) does not display all the packets that the PK-900 hears.

NOTE: If you will be leaving your PK-900 on to accept connects from others while your computer is off, set MONITOR to 0 (zero) and type a <CTRL-S> to hold the data. If you are using an AEA program, you must set the MONITOR command to 0, but our programs automatically perform the <CTRL-S> function for you. If this is not done, the PK-900 memory will be filled with useless data and prevent others from connecting with you.

#### 4.4.5.1 Monitoring the Packet Networking Switches

There are other types of AX.25 frames used by networking switches that the PK-900 does not normally display. These other frames can be seen by turning the MPROTO command ON. Some of the packets monitored with MPROTO ON will contain information that may interfere with the screen on your terminal or computer causing it to look "funny". For this reason the MPROTO command default is OFF.

If you are hearing packets that sound strong but are not displayed, setting MONITOR to 6 and MPROTO ON should show them. If you are curious about the packets that do not print, you may find the command WHYNOT useful. When WHYNOT is turned ON, the PK-900 will give a reason why each packet was not displayed. If you are interested in exactly how the packets are represented, turn on the TRACE command. See the Command Summary for more information about WHYNOT and TRACE.

#### 4.4.5.2 Monitoring Other Stations While Connected

When you are NOT connected to another station, the MONITOR command discussed above determines what packets are displayed. When you ARE connected, the MCON command determines what packets are shown.

The default of MCON is 0 which tells the PK-900 NOT to monitor any packets while you are connected. Most users like this so they are not disturbed with monitored channel data when they are communicating with another station. If it is desired to monitor channel activity while you are connected, then remember to set MCON to an appropriate Monitor number from the list in 4.4.5 or the in command summary.

#### 4.4.5.3 Selective Monitoring

After you have monitored channel activity for a while, you may decide there are only a few stations you wish to display. The PK-900 will let you do this with the Monitor-TO (MTO) and Monitor-FROM (MFROM) commands. With the MBELL command, you can even be alerted when a certain station transmits on the frequency. These commands work in conjunction with MONITOR and MCON commands.

#### 4.4.5.4 The MFILTER Command

Some terminals and computer programs are sensitive to certain characters that may appear in monitored packets. You will know this is happening if occasionally the cursor on your screen moves to strange places causing the copy to be garbled.

The PK-900 default for MFILTER is \$80 which prevents most control characters from interfering with your display. If you find a terminal or printer is bothered by certain characters, see the Command Summary for more information on the MFILTER command.

#### 4.4.5.5 Monitor Without Callsign Headers

Sometimes you may wish to monitor certain stations without wanting to look at the packet callsign headers. This can be useful when monitoring message traffic from a large Packet Bulletin Board System (PBBS). The MBX command allows you to choose the callsign of a station, or a pair of stations you wish to monitor without seeing the packet headers. See the Command Summary for details.

#### 4.4.5.6 MSTAMP, The Monitor Time-Stamp Command

Monitored packets can be time-stamped if the real-time clock has been set with the DAYTIME command. To timestamp monitored packets, turn the MSTAMP command ON. Turning the DAYSTAMP command ON adds the date to the timestamp provided by the MSTAMP command.

#### 4.4.6 Packet Connects

When you turn your PK-900 on and enter your callsign, anyone can Connect to you. If you are at your terminal or computer when this occurs you will see the LCD for the appropriate channel showing the word CONNECTED.

When a packet connection occurs, the PK-900 automatically switches to the Converse mode so what you type on the keyboard will be sent to the connected station. The NEWMODE and NOMODE commands control when and how the PK-900 changes to and from Command mode in response to packet connects and disconnects. You will probably never need to change these settings.

##### 4.4.6.1 Time-Stamping Connects

Sometimes it is useful to know what time someone connected to you - perhaps for logging. To time-stamp your connects and disconnects turn the command CONSTAMP ON. As discussed in the Monitoring section above, turning the command DAYSTAMP ON adds the date to this as well. The DAYTIME command must first be set for this to operate.

##### 4.4.6.2 Connect Alarm

If you busy doing other things, you may want to be alerted when someone connects to you. Turning the command CBELL ON rings the bell on your terminal when a station connects to, or disconnects from you.

#### 4.4.7 Packet Formatting and Editing

Some of your PK-900's command parameters affect how your packets are formatted - how your typing appears to the rest of the world. Other commands let you correct typing errors before your packet is sent, cancel lines or cancel packets if necessary.

##### 4.4.7.1 Carriage Returns and Linefeeds in Packets

Most people use packet radio for sending and receiving messages or conversing with other Amateurs. The character used to send a packet is defined with the command SENDPAC which defaults to a Carriage Return (\$0D). The SENDPAC character may be changed, but most will find the Carriage Return or Enter key to be a natural choice. Similarly, your PK-900 will include a Carriage Return in the packet you send to other stations since this makes for a more natural conversation. The ACRPACK command (default ON) controls this feature, but most people never want to change this.

The PK-900 also has the capability of adding a linefeed character (\$0A) automatically to packets that you send to others. If you encounter a station that says your packets are overprinting, you may want to turn the ALFPACK or the ILFPACK command ON temporarily.

##### 4.4.7.2 Canceling Lines and Packets

Most of the time, the Backspace key (or the Delete key on some computers) is all that is needed to edit a line before it is sent. Occasionally it may be helpful to cancel the line, or the entire packet you are entering with one key stroke. The CANLINE character (default <CTRL-X>) will cancel the entire line you are typing. The CANPAC character (default <CTRL-Y>) will delete the entire packet you are entering. These commands can be helpful, but use them with care.

##### 4.4.7.3 Redisplay

If you have erased and retyped many characters, you may want to see the sentence you are currently entering "redisplayed" by the PK-900, especially if BKONDEL is OFF. Your PK-900 will show the line you're entering when you type the REDISPLAY character (default <CTRL-R>). This will also allow you to display any packets you might have received while you were typing.

##### 4.4.7.4 The PASS Character

If you are using a terminal or terminal program, the following may be useful. Sometimes you may want to include a special input character such as a Carriage Return (the SENDPAC character) in a packet. For example, to send several lines in the same packet, you must include <CR> at the end of each line. You can include any character in a packet (including all special characters) by prefixing that character with the PASS character (default <CTRL-V>):

```
I wasn't at the meeting.<CTRL-V><CR>  
What happened?
```

Without the PASS character, this message would go out as two packets.

By prefixing the first <CR> with <CTRL-V>, you send it all at once, while maintaining the <CR> as part of the text. The PASS character can be useful in formatting text Messages such as CTEXT as well.

#### 4.4.8 Packet Transmit Timing

Your PK-900 has a number of built-in timers used to control the packet protocol and transmit timing. The default values have been set at the factory to provide reasonable performance, but the values may not be optimum for your local area. Most protocol parameters should be adjusted only after carefully reading about them later in the chapter. You SHOULD however adjust TXDELAY for your transmitter as indicated below.

##### 4.4.8.1 TXDELAY and AUDELAY

Radios vary in the time it takes to switch from receive to transmit. If your PK-900 starts sending data before your transmitter is up to power, the packet will not be received properly at the distant end.

TXDELAY controls the delay between your transmitter's key-up and the moment when your PK-900 starts sending data. The default value of 30 corresponds to a time of 300 ms and works with most VHF/UHF FM transceivers. With modern transceivers TXDELAY can often be reduced which will improve packet performance in your area. You should perform the following procedure to optimize TXDELAY for your radio.

- o Find another station who can reliably digipeat your signals.
- o Set your UNPROTO path to TEST via the callsign of the station who can digipeat your signals. Example: UNPROTO TEST VIA WX2ABC
- o Set the MONITOR command to at least 1.
- o Go to CONVERSE mode and send a few packets by pressing the <Enter> key. Note that you should see them on your own screen when they are digipeated by the other station.
- o Start reducing TXDELAY by units of 5 each time making sure the other station is still digipeating ALL your UNPROTO packets. Eventually you will find a value where the other station can no longer copy your packets to digipeat them.
- o When this happens, increase TXDELAY in units of one or two until the other station again digipeats ALL of your packets. This will be the optimum setting of TXDELAY.

After TXDELAY is adjusted as indicated above you may want to adjust the audio delay (AUDELAY) as indicated in the Command Summary.

The next sections of this chapter will discuss some of the more advanced packet features including Multiple Connects, Packet Timing and Protocol, and HF Packet Operation.

##### 4.4.8.2 AXDELAY and AXHANG

Although it is not common, packet can be used through voice repeaters.



When sending packets through an audio repeater you may require a longer key-up delay than is normally needed for direct communications. The AXDELAY command adds more key-up delay in your PK-900 so that the repeater can stabilize. The AXHANG command sets the time your PK-900 assumes is needed for the repeater to drop.

#### 4.5 Packet Protocol Basics

Here we will talk a little about the AX.25 packet protocol. You do not need to know the protocol to use packet, but it helps in understanding the protocol parameters.

There are two modes of packet transmissions, Connected mode and Unconnected mode. Usually you will converse with another packet station in Connected mode. Still, the Unconnected or Unprotocol mode comes in handy for beacon transmissions and roundtable conversations.

All packets have basically the same construction. Packets contain source and destination callsigns (and any digipeaters if used), as well as information identifying the type of packet. This packet identification can be seen with the MONITOR command discussed earlier. All packets contain an error check code called the CRC. This virtually ensures that when a packet is received, it will not contain a single error. The command PASSALL can disable the CRC error check, but this should only be done for experimental purposes.

##### 4.5.1 Unconnected Packets

In order to allow amateurs to send message beacons and to call CQ, the AX.25 protocol has the ability to send packets that are intended for more than one specific packet station to see. Since all packets must have a destination "callsign", the PK-900 sends Unprotocol packets TO the callsign of CQ. This can be changed with the UNPROTO command, but most people like this since it makes calling CQ easy.

##### 4.5.2 Connected Packets

When you Connect to another station, the AX.25 packet protocol ensures that the station to whom you are connected receives all the packets that you send. Similarly, the protocol ensures you will receive all the packets that the other station sends to you. The following describes briefly how the protocol does this.

##### 4.5.3 FRACK and RETRY

When the PK-900 sends a packet to a Connected station, it expects an acknowledgment (ACK) packet from the other station to confirm that the packet was received. The AX.25 packet protocol will automatically retransmit (Retry) packets when an acknowledgment is not received from the distant end of the link within a specified time.

The FRACK command (FRame ACKnowledge time) sets the time lapse allowed before the originating station retransmits (retries) the packet.

The RETRY command sets the maximum number of retransmissions before the sending station terminates the connection (DISCONNECTS).

The TRIES counter keeps track of the retries that have occurred on the current packet.

#### 4.5.4 PACLEN and MAXFRAME

Packets will be sent either when the <Enter> key is pressed or when the maximum packet size is exceeded. The maximum packet size is set by the PACLEN command which defaults to 128 characters. When large amounts of data need to be sent, this value can be increased to 256. When conditions are poor or the channel is crowded as on HF packet, this value should be reduced to 64 or less.

The packet protocol allows more than one frame to be sent in a single transmission. The default is set to 4 by the MAXFRAME command. When conditions are good up to 7 frames can be sent to speed data transfer. When conditions are poor or the channel is crowded, MAXFRAME should be reduced to only 1 frame.

#### 4.5.5 Reducing Errors through Collision Avoidance

If every packet station could hear every other station, there would be very few "collisions" due to stations transmitting at the same time. Since packet operates over radio, there are often many stations on the same frequency that cannot hear each other. Digipeaters and network nodes allow these stations to communicate with each other, but this increases the chances of collisions.

The first attempt to avoid collisions was through the use of the DWAIT and RESPTIME timers. DWAIT forced the TNC to delay the transmission of any packet except for digipeated frames by the time selected. This fixed timer helped, but packet was still plagued by collisions. The RESPTIME was added to help with large file transfers. Still, more needed to be done to reduce collisions.

Another attempt to reduce collisions was the introduction of AX.25 version 2 protocol. On VHF packet, most everyone uses version 2 which is controlled by the AX25L2V2 command (default ON). On VHF this helps, but some users on HF packet are turning this command OFF.

An exponentially distributed random wait method was proposed by Phil Karn (KA9Q) called P-persistent CSMA. When the command PERSIST is ON (default) the PK-900 uses the number set in PERSIST and the time value set by the SLOTTIME command to more randomly distribute the transmit wait time. This is more efficient than using the DWAIT time.

As a further attempt to improve packet performance, Eric Gustafson (N7CL) proposed giving priority to acknowledgment packets (ACKs). This protocol is controlled by the ACKPRIOR command which currently defaults OFF. Check with experienced packet users in your area and find out if they are using priority acknowledge or have changed any other packet parameters.

#### 4.5.6 CHECK and RELINK

If someone connects to you and then turns his TNC off, you would probably not want to stay connected to the station forever. The CHECK timer determines the amount of time the PK-900 will wait before

testing the link if no data has been sent or received.

The RELINK command sets what happens when the CHECK timer expires. If RELINK is OFF, the PK-900 changes to the Disconnected state. If ON, the PK-900 attempts to reconnect to the other station.

## 4.6 Multiple Connection Operation

Since packet radio allows many stations to share the same channel, many QSOs can be going on at the same time. Because packet has this channel sharing capability, there is no reason you cannot connect to more than one station at the same time. Being connected to multiple stations at once is a powerful feature of your PK-900.

### 4.6.1 Multiple Connection Description

The PK-900 offers 10 logical packet channels on Radio Port 1 and 26 logical packet channels when using Radio Port 2. Each logical channel can support a connection with another packet station. So with the PK-900, you may be connected to a total of 36 other packet stations simultaneously.

Multiple connect operation is much like a multi-line telephone with automatic hold. When you are connected to multiple stations you will automatically receive everything sent TO you. You must select the proper channel (in effect push the proper line button on the telephone) to send data to a particular station.

If you are using an AEA PAKRATT program, this is described in the program manual. If you are using a terminal, the rest of this section will describe how to set up the PK-900 for multiple connections.

### 4.6.2 The Channel Switching Character

The logical channels are selected with the CHSWITCH character. You must choose a CHSWITCH character that you do not normally type such as the vertical bar "|" (ASCII \$7C), or the tilde "~" (ASCII \$7E). Once this has been selected and entered into the PK-900, you may initiate multiple connections with others on your radio channel.

The ten logical channels on Radio Port 1 are numbered 0-9. The 26 logical channels on Radio Port 2 are labeled A-Z. After the CHSWITCH character has been selected, you can now initiate connects on any of the logical channels numbered zero through nine (0-9) on Port 1 or "A" through "Z" on Port 2.

To change logical channels on Radio Port 1, press the CHSWITCH character you just defined, and then a number from 0-9. Remember that the text that you type will only be sent out to the station connected to the logical channel your PK-900 is currently on.

This same procedure is used to select a logical channel on Radio Port 2, only instead of pressing a channel "number" from 0-9, a "letter" from A-Z is pressed. This is in fact the method used to switch back and forth between Radio Ports 1 and 2. Please see the

section on switching between Radio Ports later in this chapter for a more complete description of this process.

#### 4.6.3 Will You Accept Multiple Connects

Setting the CHSWITCH character only allows you to make outgoing multiple connects. For the PK-900 to allow multiple incoming connections, you must set the USERS parameter to more than one (1) for each Port that you wish to allow incoming multiple connections. The number you enter in the USERS command tells the PK-900 how many other users you will allow to connect to you at one time. If more than this number try to connect, they will get the "busy" response.

#### 4.6.4 Display Multiple Connected Callsigns

Multiple Connection operation can be confusing - especially remembering who is connected on what channel. To help this, you may want to turn ON the CHCALL command to display the callsign of the station who is connected to you on a given channel.

#### 4.6.5 Doubling Received CHSWITCH Characters

If you want to be able to tell the difference between the CHSWITCH characters you type, and characters from other stations that happen to be the same as your CHSWITCH character, then set CHDOUBLE ON.

#### 4.6.6 Checking Your Connect Status with the CSTATUS Command

To check what channels your PK-900 is currently set to, as well as who is connected to you, you may find the CSTATUS command helpful. CSTATUS is an immediate command that shows you the status of all packet channels as well as the channel you are currently on.

#### 4.6.7 The MULT LCD

You will know you are connected to more than one packet station on each Radio Port when the MULT LCD the PK-900 lights.

NOTE: The MULT LCD will blink if the PK-900's receive buffer is filled. This can happen if your computer is not connected to the PK-900 and the MONITOR command was left ON, or if for some reason, your communications program no longer can accept any further inbound data.

#### 4.7 HF Packet Operation

HF Packet is much trickier than operating on VHF. In this section we will assume you have as completed section 4.2 of this chapter and at least read section 4.3 and the MONITORING sections of 4.4. If at all possible, get some experience with VHF packet before trying packet on HF. Although this is not absolutely required, the experience will help you make HF packet contacts.

#### 4.7.1 Where to Operate HF Packet

Before you can operate HF Packet, you must first find the activity. Most HF packet operation is on the 20-meter amateur band starting at 14.103 MHz and every 2 kHz above that up to 14.111 MHz. Note that 14.103 MHz is the HF Packet calling frequency and a good place to start. The higher frequencies such as 14.109 and 14.111 are used mostly by HF PBBS systems and are not good places to look for a QSO.

#### 4.7.2 PK-900 HF Packet Settings

Radio Port 1 on the PK-900 is intended for multi-mode operation so either a VHF or HF transceiver may be connected. The packet parameter defaults have been set for VHF Packet operation on both radio ports and should be changed for HF packet operation as shown in the table below.

The table below shows the parameters that should be set differently for HF and VHF packet operation. If you will be operating HF Packet, you should make note of these parameters and change them accordingly.

Recommended	Port 1 & 2 Defaults
300 baud HF Packet	1200 baud VHF Packet
SLOTTIME 12	SLOTTIME 30
PACLEN 64 or less	PACLEN 128
MAXFRAME 1	MAXFRAME 4
FRACK 8	FRACK 5
VHF OFF	VHF ON
HBAUD 300	HBAUD 1200
MODEM 10	MODEM 11/4

Note that the HF (VHF OFF) modem number is tied to the QHPACKET command and the VHF (VHF ON) modem number is tied to QVPACKET. The Radio Port baud rate is not changed when you change modems. You select the appropriate baud rate with the HBaud command.

You should set MONITOR to 6 on the port used for HF Packet when tuning in your first HF Packet stations.

#### 4.7.3 HF Receiver Settings

Set your HF receiver (or transceiver) to Lower Sideband (LSB) unless you connected your PK-900 through the direct FSK keying lines, in which case you should select the FSK or RTTY operating mode. Adjust the volume to a comfortable listening level.

#### 4.7.4 Tuning in HF Packet Stations

Perhaps the most difficult thing about HF Packet operation is making sure the station is tuned properly and stays tuned. Since HF packet uses 200 Hz Frequency Shift Keying to send data (2110/2310 Hz), tuning accuracy is very important. Being off frequency by only 20 Hz can make a noticeable difference in the PK-900's ability to copy packet stations. You have a choice of three types of tuning indicator types. Use the BARgraph command to change the indicator type.



If the tuning indicator looks like the one below, the audio frequency from your speaker is too high for the PK-900 to copy packets. Slowly tune the VFO and make the frequency lower.

MARK | ██████████ | SPACE

Tuning too high for discriminator indicator (BAR 0)

| ██████████ |

Tuning too high for magic eye indicator (BAR 3)

| ██████ |

Tuning too high for center tune indicator (BAR 2)

- o Adjust the volume on the receiver so that the DCD LCD lights when a properly tuned packet is being received. You must also make certain that the DCD LCD goes out when no packet signals are present on the frequency.

After you have a packet station tuned in, you should start seeing HF packet stations on your display.

#### 4.7.5 Transmitter Adjustments

Make sure your PK-900 is adjusted for your SSB transmitter as described in section 3.5 and 3.5.2 of this manual before transmitting. These are very critical adjustments. If the AFSK level and transmitter microphone gain are not adjusted properly, other stations will not be able to copy your packets. Check your plate or collector current or the power output of your rig before going on the air.

#### 4.7.6 Going On The Air

Make sure your transmitter and antenna are tuned and adjusted for the band and operating frequency you are using.

On HF there are two ways you can go about talking to another station.

- o First, you can look at the packets you have just MONITORED (or in your MHEARD list) and choose one of them to connect to.
- o You can also "Call CQ" by entering the CONVERSE mode and pressing the <Enter> key a few times.

Either way you decide to go on the air, remember that things happen much more slowly on HF packet than they do on VHF packet. HF packet requires patience and careful tuning in order to be used successfully.

If you are having problems connecting to other HF packet stations, try working with an experienced HF packet operator in your area and listen to each other's signals. See if you can copy each other's packet signals. If he cannot copy your signals, have him listen to your signal in the CALIBRATE mode to make sure you are transmitting a pure tone. As mentioned earlier, any distortion caused by overmodulation or RF feedback will make your signal difficult or impossible to copy.

#### 4.8 Controlling the Radio Ports

If you are using an AEA PAKRATT program designed for the PK-900, switching between Radio Ports is described in the program manual. If you are using a computer terminal, terminal program or the "Dumb Terminal Mode" of an older PAKRATT program, this section will describe how to control and switch between the radio ports. The RADIO command allows either (or both) Radio Port(s) to be disabled. Before the second radio port can be used for packet operation, the proper modem must be selected using the 2MODEM command.

##### Radio Port 2 Modems

1: Internal 200: 1070/1270	2: Internal 200: 2025/2225
3: Internal 1000: 1200/2200	4: Internal 1000: 1200/2200 eq.
5: Internal 200: 1180/980	6: Internal 200: 1850/1650
7: Internal 800: 2100/1300	8: Internal 800: 2100/1300 eq.
9: Internal option	10: Modem disconnect header

#### 4.8.1 Selecting Modems

The various modems available in the PK-900 can be seen with the DIRECT(ory) command. To display all the available modems simply enter the Command Mode of the PK-900 and then type DIR as shown.

```
DIR <Enter>
```

The PK-900 will respond with the following:

- Port 1 -	- Port 2 -
1: FSK 45 bps 170: 2125/2295	1: Internal 200: 1070/1270
2: FSK 100 bps 170: 2125/2295	2: Internal 200: 2025/2225
3: FSK 45 bps 200: 2110/2310	3: Internal 1000: 1200/2200
4: FSK 100 bps 200: 2110/2310	4: Internal 1000: 1200/2200 eq.
5: FSK 100 bps 425: 2125/2550	5: Internal 200: 1180/980
6: FSK 100 bps 850: 2125/2975	6: Internal 200: 1850/1650
7: FSK 100 bps 850: 1275/2125	7: Internal 800: 2100/1300
8: Analog 900/2500	8: Internal 800: 2100/1300 eq.
9: FSK 2400 bps 800: 1300/2100	9: Internal option
10: FSK 300 bps 200: 2110/2310	10: Modem disconnect header
11: FSK 1200 bps 1000: 1200/2200	
12: Morse 750	



Any modem from this list may be selected with the command MODEM. For example, let's say that you want to operate 300 bps HF packet on radio port 1 and 1200 bps VHF packet on radio port 2. This operation is achieved with radio port 1 modem 10 and radio port 2 modem 4. To load these modems, first enter the Command Mode of the PK-900 and then type MODEM 10/4 as shown below:

```
MODEM 10/4 <Enter>
```

The PK-900 will respond with the following:

```
MODem was  x/x  (whatever modems were in use)
MODem now  10/4
cmd:*** HBAud now 300/1200
```

Either modem may be selected individually. To change only radio port one's modem, for example, type MODEM 10 <Enter>. To change only radio port two's modem, you would type MODEM /4 <Enter>.

#### 4.8.2 Displaying Received Data

When radio port 2 is active in the PK-900, received data is displayed from both Radio Ports at the same time. This allows you to operate on HF and not miss any local Packet connects or information from VHF DX spotting nets.

The PK-900 displays monitored packets by prefacing each packet with a port designator "p1" for radio port 1 and "p2" for radio port 2. For instance, let's say that modems 10/4 are selected and you are monitoring HF packet activity on Radio Port 1, and VHF packet activity on Radio Port 2. You might see something like the following:

```
p1 WX1AAA*>CQ [UI]:                { WX1AAA calling CQ on
                                     Radio Port 1 (HF) }
p1 WX1AAA*>CQ [UI]:
p2 WY7DDD*>WY7EEE [I,P;1,1]:        { An Information Frame from
Hello Bob, how are you?              WY7DDD to WY7EEE monitored
                                     on Radio Port 2 (VHF) }
p2 WY7EEE*>WY7DDD (RR,F;1)          { Acknowledgment of the above
                                     I-Frame on Radio Port 2 }
p1 WX2BBB*>WX1AAA [C,P]             { WX2BBB attempting to connect
                                     to WX1AAA on Radio Port 1 }
p1 WX1AAA*>WX2BBB (UA,F)            { WX1AAA acknowledging the
                                     connect request }
p1 WX2BBB*>WX1AAA [I,P;0,0]:        { An Information Frame from
Hello Bob, how are you?              WX2BBB to WX1AAA monitored
                                     on Radio Port 1 (HF) }
```

The first packet shown above is an Unprotocol "CQ" packet from WX1AAA that was received on Radio Port 1. We know this was received on Port 1 because of the "p1" shown in front of the packet. (Remember from

the section on Multi-connect packet operation that Packets received on Radio port 1 will be on one of the ten logical channels numbered 0-9.) The second packet is another "CQ" from WX1AAA. Again, there is a "p1" in front of it so we know it was also received on Radio Port 1.

The third packet is an Information-Frame, or simply an "I-Frame" that was monitored on Radio Port 2. We know this was received on Radio Port 2 because of the "p2" shown before the packet. Remember that Packets received on Radio port 2 will be on one of the 26 logical channels designated A-Z.

The fourth packet is an acknowledgment to the previous I-Frame received on Radio Port 2. Again, the "p2" in front of the packet tells us it was received on Radio Port 2.

The fifth packet is a Connect Request from WX2BBB to WX1AAA that was monitored on Radio Port 1. The "p1" in front tells us so. The sixth packet is an acknowledgment by WX1AAA to the connect request. The seventh and last packet shown above, is the first I-Frame that WX2BBB is sending to WX1AAA after they have connected.

#### 4.8.3 Controlling Your Transmitted Text

If you are using an AEA PAKRATT program designed for the PK-900, switching between Radio Ports is described in the program manual. If you are using a computer terminal, terminal program or the "Dumb Terminal Mode" of an older PAKRATT program, this section will describe how to control and switch between the radio ports.

##### 4.8.3.1 Defining the Channel Switching Character CHSWITCH

Before you can switch between logical channels or Radio Ports you must define a Channel Switching character that you will use to signal the PK-900 that you want to redirect your transmitted text. This special character is defined with the CHSWITCH command and should be one that you do not normally type in conversational text such as the vertical bar "|" (\$7C), or the tilde "~" (\$7E). To enter the vertical bar "|" as the CHSWITCH character, first enter the Command Mode of the PK-900 and then type CHSWITCH \$7C as shown below:

```
CHSWITCH $7C <Enter>
```

The PK-900 will respond with the following:

```
CHSWitch was $00
CHSWitch now $7C (|)
```

Once a CHSWITCH character has been entered, you may switch Radio Ports or Packet logical channels of the PK-900 at will.

#### 4.8.3.2 Switching Between Radio Ports

The ten logical channels on Radio Port 1 are labeled 0-9. The 26 logical channels on Radio Port 2 are labeled A-Z. To select Radio Port 1, press the CHSWITCH character you just defined, followed by a number from 0-9. To select Radio Port 2, press the CHSWITCH character, followed by a letter from A-Z.

After you change Radio Ports or logical channels, the text you type in the CONVERSE mode will be sent to the port and channel selected. If you are connected to another packet station, the text you type will be sent to him or her. If the channel is not connected, the text will be sent in the Unprotocol or unconnected mode.

For example, let's say that you are operating HF Packet on Radio Port 1 and are also available for connects on the local VHF Packet channel on port 2. You connect to an HF packet station and are in the middle

of a QSO when a station on VHF connects to you. The following shows how your screen would look and suggests how you might handle such an occurrence. The underlined text is the text that you have typed.

```
p1 WX1AAA*>CQ [UI]:           { WX1AAA calling CQ on
                               Radio Port 1 (HF) }
p1 WX1AAA*>CQ [UI]:
cmd:C WX1AAA                   { You attempt to connect to
                               station WX1AAA on HF }
*** CONNECTED to WX1AAA        { You're connected to WX1AAA }
Hello, name here is Bob.       { You send him your name }
Hi Bob, name here is Jim and the { The other station responds
QTH is Boston Mass.           with his name and location }
A:*** CONNECTED to WX7EEE      { WX7EEE connects to you on
                               VHF (Radio Port 2) }
Nice to meet you Jim, QTH here is { You send another packet
Seattle, WA. You have a nice signal. to Jim on HF }
Hey Bob, I'm going to the hamfest { Your friend on VHF packet
this weekend if you want a ride.  wants to go to the hamfest }
|AHello Mike, I am on HF right   { You switch ports by typing
now talking to a station in Boston. |A and respond on VHF }
0:Thanks Bob, your signal is S-7   { Jim on HF gives you a signal
here. I am running 100 Watts into a report. The "0:" shows you
tri-bander at 50 ft.           this was from Port 1 (HF) }
|0Thanks for the report Jim, you're { You switch back to HF with
S-8 and the antenna here is a quad. the |0 and respond to Jim }
```

AYes, I was planning to go Saturday. What time do you want to leave?	{ You switch to Port 2 with  A to say you want to go }
A:I'll pick you up at 8:00 Bob. I'm looking forward to it.	{ Your friend on VHF responds to you }
0:Well, it's getting late here and time to pull the plug Bob.	{ Jim on HF tells you he has shut down for the night }
Sounds good, I'll see you on Saturday morning.	{ You last sent data on Port 2 and do not need to send  A }
0Take care Jim, and 73.	{ You say 73 to Jim on HF }
A:73 Bob.	{ Your friend on VHF says 73 }
A<Ctrl-C>A:cmd:D <Enter>	{ You switch to Port 2 and Disconnect from WX7EEE }
*** DISCONNECTED: WX7EEE	{ You're now disconnected from WX7EEE on VHF. The A: doesn't show because you last received data on port 2. }
0:*** DISCONNECTED: WX1AAA	{ WX1AAA disconnects from you on HF (Port 0) }

As you may have noticed, the above technique of communicating on more than one Port at the same time is almost identical to that used for single-port multiconnect packet operation. Let's discuss the sample QSOs above to see how the Port switching occurs.

The first packet frame, we see is a CQ from WX1AAA. This frame is preceded by a "p1" which shows it was received on Radio Port 1.

You have seen WX1AAA calling CQ and decide to connect to him on HF. You simply go to the Command mode (by typing <CTRL-C>) and issue the CONNECT command C WX1AAA as shown on the third line. The fourth line shows that you are now Connected to WX1AAA. Note that you did not have to type "|0" before sending the connect request since the PK-900 defaults to Port 1 until it has been changed to Port 2. If you want to be sure of which channel you want to be on, you could type |0.

Now that you are connected to WX1AAA you greet him and send your name. WX1AAA then gives you his name (Jim) and location which is the way most QSOs begin. Remember in the above example, the underlined text is the text you would have typed.

You have just begun your QSO with WX1AAA when all of a sudden your friend WX7EEE connects to you. WX7EEE has connected on Radio Port 2 (VHF) which is shown by the "A:" before the connect message. Remember that the 26 channel designators for Radio Port 2 are A-Z.

Before you respond to WX7EEE on VHF, you send a packet to Jim on HF giving him your location. After sending this packet, you see WX7EEE on VHF has offered you a ride to the hamfest. We know this packet is from Radio Port 2 since the previous packet displayed by the PK-900

was the "A:\*\*\* CONNECTED" message from Port 2.

Now you want to let WX7EEE on VHF know that you are there, but that you are involved in another QSO on HF. This way he will understand that it may take you a little longer to respond to his packets. Before you can send data to Radio Port 2, you must switch to this Port with "|A" or the text you type will be sent to Radio Port 1.

You receive another packet from Jim on HF giving you a signal report and describing his antenna. Again, the "0:" in front of the text shows this was received on Port 1.

Now you want to give Jim a signal report so you must switch to Port 1 with |0 before your text or it will be sent to WX7EEE on Port 2.

After sending Jim a signal report, you tell your friend on VHF that you want to go to the hamfest with him. You must switch back to Port 2 by typing |A before sending to WX7EEE.

In the next received packet, we see that WX7EEE on VHF agrees to pick you up at 8:00 to go to the hamfest. The "A:" in front of the packet shows that this packet was received on Port 2.

Immediately following, you see a packet from Jim on HF saying it's time to shut down. The "0:" identifies this as a Port 1 packet.

The last packet you sent was to WX7EEE on VHF so you decide to reply to him first. This way you do not have to change Ports. After your reply to WX7EEE, you change to Port 1 with |0 and send your good-byes to Jim on HF.

Your friend WX7EEE on VHF says 73 and signs off with you. After two stations agree to sign off, one of them must initiate a Disconnect. You decide to disconnect from WX7EEE by first switching to Port 2 with |A and then entering Command mode with a <Ctrl-C>. Once you see the Command prompt (cmd:), enter the Disconnect "D" command. Shortly after you do this you see the display "\*\*\* DISCONNECTED: WX7EEE" from the PK-900.

Jim on HF has decided to initiate the disconnect with you so the final packet you see is the "0:\*\*\* DISCONNECTED: WX1AAA" frame from Port 1.

#### 4.8.3.3 More Thoughts on Port Switching

One problem of having more than one Radio Port is remembering which port you are currently using. In the dual port sample QSOs above, this was not a problem, but after it has been hours or days since you have used your PK-900, you may forget which port you last used.

With AEA Pakratt Software programs, the on-screen status will always show which port you are using so this is not a problem. With other programs, you will have to query the PK-900 with the CSTATUS SHORT command. The CSTATUS command displays the status of the logical channels of Port 1 and Port 2 of the PK-900. The CSTATUS SHORT command displays the status of the active channel and any other connected packet channels. After completing the sample QSOs above, the PK-900 would display the following.

```
cmd:CSTATUS S
```

```
Ch. A - IO DISCONNECTED
```

This reminds you that Channel A is your current I/O channel. Any text that you type in the Converse mode will be sent to channel A on Radio Port 2. If you had been connected to any other packet stations, the callsign and channel would have also shown in the display.

Sometimes you might not want to be bothered with anything from the Radio Port you are not using. For these times either Radio Port may be turned OFF with the RADIO command. For example, let's say that in the above example QSO you wanted to work HF packet and did not want to be interrupted with any VHF connects. Typing the following command would cause Radio Port 2 to be disabled.

```
cmd:RADIO /0
RAdio was 1/2
RAdio now 1/0
```

When a PK-900 Radio Port is disabled, the front panel LCD Status indicator for that port will be extinguished as a reminder.

#### 4.9 Advanced Packet Operation

Your PK-900 has many commands and features that are not used for day-to-day connects conversations. Still, as you become more familiar with packet, some of these features may become important to you.

##### 4.9.1 Transparent Mode

The TRANSPARENT mode allows any 8-bit binary character to be sent by your packet station. You usually must use the TRANSPARENT mode to transfer binary and program files to and from other stations.

You can enter the TRANSPARENT mode either by typing TRANS at the cmd: prompt after you connect, or by setting CONMODE to TRANS. Either way, once in the transparent mode, any character you type will be sent automatically after the PACTIME setting. This way the PK-900 can send any character. We recommend using HARDWARE flow control in transparent mode but SOFTWARE flow control is available with the TRFLOW and TXFLOW commands. To get back to Command mode after you are finished with transparent mode, you must type the COMMAND character (default <CTRL-C>) 3 times within the "Guard time" set by the CMDTIME command (default 1 second). (Hold down the CTRL key and press C three times rapidly.)

##### 4.9.2 Gateway Operation

The PK-900 can allow packet stations on one radio port to communicate with stations on the other port. When the PK-900 bridges two packet frequencies in this manner, it is said to be a "Gateway." Gateway operation is a dual port feature and requires that the correct port 2 packet modem be loaded. Once this has been done the gateway function is enabled by entering a callsign in MYGATE. The callsign must not be the same call sign and SSID as MYCALL or MYMAIL.

When another station digipeats via the callsign in MYGATE, your PK-900 will Gateway between Radio Port 1 and Radio Port 2. If you provide this feature to users in your area, you may want to BEACON a message on both ports informing users that your gateway is available.

At this time however, unattended operation below 30 MHz is not legal for US amateurs unless they hold a Special Temporary Authorization (STA) from the FCC. This restriction may someday change, but until then US amateurs must always have control of their HF transmitters when an automatic device such as the PK-900 Gateway is in use.

#### 4.9.3 Sending 8-bit Data in Converse Mode

Sometimes you may need to send a file that contains some 8-bit data, but not need all the features of the TRANSPARENT mode. In this case, you may find turning the command 8BITCONV ON is all that is needed.

#### 4.9.4 The Packet QRA Feature

The PK-900 recognizes UI frames with a destination field of "QRA" and will respond by sending an ID packet. This is helpful for others new to your area that are looking for other packet stations to talk to. To disable this feature and remain anonymous, simply set User BIT 22 OFF (UBIT 22 OFF). The default is ON.

If you wish to see who is available in your local area, simply set your UNPROTO path to QRA and send a packet. Within 1 to 16 seconds other stations should respond to your QRA request by sending an ID packet of their own. This feature is compatible with TAPR's QRA feature introduced in the 1.1.8 firmware release.

#### 4.9.5 The CFROM Command

If you ever want to exclude certain stations from connecting or only allow friends to connect, you may do so with the CFROM Command. See The Command Summary for details of its operation.

#### 4.9.6 Operating in Full-Duplex

Most packet operation is carried on over Half-Duplex transceivers that can transmit and receive but not do both at the same time. When a separate transmitter and receiver is used such as in satellite operation, you may want to use the FULLDUP Command in the PK-900.

#### 4.9.7 Identifying as a Digipeater

If your PK-900 is being used as the primary digipeater in a local area, you may want to enable the HID command. HID will automatically identify your station for others to see.

#### 4.9.8 Digipeater Alias Callsign

If your packet station is being used as the primary digipeater in your local area, you may want to choose a simpler identifier for others to use with the MYALIAS Command.

#### 4.9.9 Morse ID in Packet

In most countries, packet is an accepted mode of identification so this command should be left OFF. In some countries, however, a Morse ID is required when packet is used and so the MID command should be enabled.

#### 4.9.10 Sharing Packet Channels with Voice Operation

Although it is seldom needed, the PK-900 does have an input for SQUELCH information from a transceiver on the RADIO connectors. This input should be used and the SQUELCH command set if the packet channel is to be shared with voice operation.

#### 4.9.11 Disabling Transmit Operation

Occasionally for test purposes it may be desired to disable the PTT circuit in the PK-900. This is done with the XMITOK Command.

#### 4.10 Seldom Used Commands

The following commands operate in Packet, but are seldom needed. They are listed for reference and described in the Command Summary.

AFilter	BBSmsgs	CONPerm	CPactime	DCdconn	Flow	HEAdlerln
MDMon	MRpt	MXmit				

#### 4.11 Packet Lite HF Packet Protocol Extension

Amateur radio needs a better communications mode for HF operation. Baudot and ASCII have no provision for error detection. AMTOR FEC and ARQ are more resistant to errors, but do not carry the full ASCII character set. 300 baud AX.25 packet is undesirable because the long transmissions are prone to bit errors, any one of which invalidate the whole frame. PACTOR is a recent protocol improvement.

Packet Lite is, as its name suggests, an abbreviated form of packet. It is designed as a transparent extension to the AX.25 protocol that reduces the "overhead" of all HF packet frames without digipeaters. Packet Lite does not solve HF packet's problems, but it should provide some throughput improvement on HF where it is desperately needed.

AEA's engineering department is interested in hearing from Packet Lite users with any comments or suggestions on improving the protocol.

##### A Brief Description of the Packet Lite Protocol

The main feature of Packet Lite that reduces overhead is that it uses an address field of only 4 bytes. A standard AX.25 header without digipeaters uses 14 bytes of addressing. Shortening the packet frame header lessens the possibility of any given frame taking a hit.

Packet Lite reduces the length of an I-frame slightly, but its real strength is the shortening of the acknowledgment frames, resulting in



fewer garbled acks and therefore fewer unnecessary retries. An ack (RR, RNR or REJ frame) in standard AX.25 consists of 19 consecutive bytes that must be copied with no hits; Packet Lite reduces the length to 9 bytes, or 47% of the standard ack length.

A couple of restrictions are necessary to accomplish this. First, Packet Lite works only between two stations connected directly, with no digipeating allowed. If digipeaters are introduced to the address field, the advantage of the reduced overhead disappears.

Second, all Packet Lite connections emulate AX.25 version 2.0 (RR polling instead of retrying I-frames). This is necessary for the 10-minute identification described below. Also, the main reason version 1 continues to be used on HF is that on a retry a [RR,P] polling frame is so long that one might as well just send the I-frame again. Packet Lite's polling and ack frames are so short that the AX.25 version 2.0 polling method is now worth doing.

#### 4.11.1 Enabling Packet Lite

To begin using Packet Lite, first make sure you have made all the proper HF Packet settings discussed earlier in this chapter. Be careful to ensure VHF is OFF and a 300 bps Modem has been selected.

Once these settings have been made, to enable the Packet Lite protocol extensions, turn the command LITE ON for the appropriate Port. For example to enable Packet Lite on Port 1, type "LITE ON" at the command prompt. You must not be connected to any other stations on that Port or you will not be allowed to change the LITE command.

#### Initiating a Packet Lite Connection

Once all the above settings have been made, simply issue the standard CONNECT request as described earlier in the chapter.

If the station you are connecting to also has Packet Lite enabled, a Packet Lite connection will result and you and the distant station should enjoy a more reliable QSO than others on the same frequency.

#### 4.11.2 Compatibility With Standard AX.25 Stations

If the station you connect to does not have the Packet LITE protocol extensions, there are three known possibilities that will occur.

```
1.  WA1ABC>WB2XYZ [C,P] 01 3E 38 58 32      {Packet Lite attempt}
    WB2XYZ>WA1ABC (UA,F)                    {Standard ack}
```

In this case, the non-Lite station sees the [C,P] control byte but ignores the non-standard bytes following it. It replies with a standard UA frame, and the connection proceeds as standard AX.25.

```
2.  WA1ABC>WB2XYZ [C,P] 01 3E 38 58 32      {Packet Lite attempt}
    WB2XYZ>WA1ABC (FR): 3F 00 03            {Frame Reject}
    WA1ABC>WB2XYZ [C,P]                    {Standard attempt}
    WB2XYZ>WA1ABC (UA,F)                    {Standard ack}
```

In this case, the non-Lite station notices the non-standard bytes following the control byte and issues a FRMR (Frame Reject) to signify that a protocol violation has taken place. The PK-900 receives the FRMR and automatically reverts to standard AX.25, sending the connect retries without the Lite PID and address bytes.

```
3.  WA1ABC>WB2XYZ [C,P] 01 3E 38 58 32          {Packet Lite attempt}
    ...                                         {No response}
```

In this case, the non-Lite station notices the non-standard bytes following the control byte but sends no response at all. If this occurs, you must turn the command LITE OFF and try to connect again to the distant station. No adverse effects are caused by this, but transparency with standard AX.25 is lost when the receiving station does not acknowledge a Packet Lite connect request in some manner.

We know that TCP/IP, NET-ROM and DRSI stations ignore Packet Lite Connect requests. These stations are normally found on VHF, but to be safe, the LITE command should be turned OFF when not in use.

#### 4.11.3 Packet Lite Protocol Enhancement Summary

The following describes the Packet Lite protocol extension in depth for those interested in the technical details. It is not necessary to read or understand the following section to use the protocol. Here is a summary of a Packet Lite exchange, where WA1ABC calls WB2XYZ:

Connect:

```
W B 2 X Y Z -0  W A 1 A B C -0  SABM 01 3E 38 58 32
      destination |      source          | CTRL PID | short address
```

The destination and the source are both 7 bytes long. Everything up to the CTRL byte (SABM) is standard AX.25 version 2.0. The "Protocol ID" of 01 hex is Packet Lite's reserved value, which provides a way of interpreting the following bytes. This leaves room for other extensions to AX.25 in the future. The short address bytes are the right-justified bytes of the address field that WA1ABC proposes to use in subsequent Packet Lite frames with WB2XYZ. In this case, the AEA implementation of the short address is illustrated. 3E38 is a compressed version of the destination WB2XYZ and 5832 is a compression of WA1ABC. However, any combination of 26 bits may be used (see "Technical Details" below).

Connect acknowledgment:

```
W A 1 A B C -0  W B 2 X Y Z -0  UA  01 58 32 3E 38
      destination |      source          | CTRL PID | short address
```

WB2XYZ replies to WA1ABC. Again everything up to the CTRL byte (UA) is standard AX.25. The "PID" of 01 and the short address confirm that WB2XYZ has accepted the Packet Lite connection. The short address is again the right-justified representation of the address field that WB2XYZ will be using in subsequent Packet Lite transmissions. In this case WB2XYZ has accepted the short address field suggested by WA1ABC, and has shown his acceptance by echoing the address back in reverse order (5832 = WA1ABC and 3E38 = WB2XYZ). AEA products always accept the short address from the SABM frame; however, the Packet Lite protocol allows the sender of the UA frame to propose a different

combination of 26 bits, to avoid conflicting with another Lite QSO. In either case, the sender of the original SABM must accept the 26 bits in the UA frame, reversing the address order for its own transmissions.

Transmission of data:

```

    7C F0          B0 65          10          F0    Test <CR>
3E38 shifted    5832 shifted    [I,P;0,0]
short dest.     short source     CTRL      PID    text

```

WA1ABC sends data to WB2XYZ in Packet Lite format. The address field consists of the short address from WB2XYZ's UA frame, reversed and left-shifted. The added bits come from AX.25 version 2.0's command and response bits, and the end-of-address bit.

Acknowledgment of data:

```

    B0 64          7C F1          31
5832 shifted    3E38 shifted    (RR,F;1)
short dest.     short source     CTRL

```

WB2XYZ acknowledges the data from WA1ABC. The address field is reversed. This is the shortest length frame possible in Packet Lite. 4 address bytes + 1 CTRL byte + 2 flags + 2 CRC bytes = 9 bytes.

Every 10 minutes the stations must identify using both long and short addresses:

```

W B 2 X Y Z -0   W A 1 A B C -0   [RR,P;0] 01 3E 38 58 32
   destination   |         source   | CTRL PID | short address

W A 1 A B C -0   W B 2 X Y Z -0   (RR,F;1) 01 58 32 3E 38
   destination   |         source   | CTRL PID | short address

```

Either station may initiate the ID exchange.

Disconnect:

```

W B 2 X Y Z -0   W A 1 A B C -0   DISC 01 3E 38 58 32
   destination   |         source   | CTRL PID | short address

```

Disconnect acknowledgment:

```

W A 1 A B C -0   W B 2 X Y Z -0   UA 01 58 32 3E 38
   destination   |         source   | CTRL PID | short address

```

At the end of the connection, the two stations must once again identify using both long and short addresses.

AEA firmware supporting Packet Lite also contains code that permits monitoring of Packet Lite and extended AX.25 frames.

#### Packet Lite Shortened Address Technical Details

The Packet Lite address field consists of 26 bits distributed over 4 bytes (or octets, as the AX.25 specification calls them). These bits are considered to be two groups of 13 bits each, roughly equivalent to a destination and a source ID. If we label the bits A-Z and show their use in the address field of a Lite frame, the bits are distributed as follows:

A B C D E F G 0    x H I J K L M 0    N O P Q R S T 0    y U V W X Y Z 1

The least significant bit of each byte is used to show whether or not the byte is the final byte in the address field, as in standard AX.25. The bits "x" and "y" (lower case) have the function of command and response, similar to the function of the standard AX.25 version 2.0 SSID byte C bits (see AX.25 Protocol version 2.0, section 2.4.1.2).

In the AEA implementation of Lite addressing, the standard callsigns are compressed to yield short addresses. The destination callsign is compressed into bits A-M, and the source into N-Z. These bits are used as the address field suggestion following the control byte in the Connect (SABM) frame. When the bits are used following the control byte as an ID suggestion or a real extended ID, the format is:

0 A B C D E F G    0 0 H I J K L M    0 N O P Q R S T    0 0 U V W X Y Z

If we label the 7 standard right-justified callsign bytes 1-6 and SSID, here is how we derive the first group of address bits A-M:

```
ABCDE = (byte 1 XOR byte 4) AND $1F
FGHI  = (byte 2 XOR byte 5) AND $0F
JKLM  = (byte 3 XOR byte 6 XOR SSID) AND $0F
```

AEA firmware derives the second group of bits N-Z the same way. Other implementations are free to select any combination of 26 bits when setting up the short address in either the initial SABM frame or its UA response.

#### 4.12 Packet Meteor Scatter Extension

A new packet protocol extension has been added for meteor scatter work that allows a Master/Slave packet connection to be established. This is done to reduce the possibility of simultaneous transmissions by both sides of a packet connection over a long meteor scatter path.

This experimental protocol is activated by turning User BIT 18 ON (UBIT 18 ON). When UBIT 18 is ON (default OFF) the packet station who initiates a packet connect will become the Master station and the station who acknowledges the connect becomes the Slave.

After a Meteor Scatter connection has been established, the Master station will continually send either information frames (I-frames) or polling frames and await an acknowledgement from the slave. The Master station therefore sends packets constantly, even if all its I-frames have been acknowledged. The slave station sends nothing, not even I-frames, until it receives a polling frame from the master. The Slave station may only send an I-frame to the Master after a poll frame has been received.

The packet timing of the Master station is critical for proper Meteor Scatter operation. In a normal AX.25 packet connect, the FRACK timer counts down until it reaches zero and then a Retry of a poll frame is sent. The FRACK timer counts in units of seconds however and a finer timing resolution is desirable for Meteor Scatter work. A new timer called FRICK has been added which times in 10 mSec increments. The

FRICK timer can be set from 0 (disabled) to 250 which corresponds to a time of up to 2.5 Seconds. See the Command Summary for a complete description of the FRICK timer.

The following settings are recommended for this method of Meteor Scatter work. Both packet stations should use these same settings.

```
UBIT 18 ON
RETRY 0
AX25L2V2 ON (default)
MAXFRAME 1
(CHECK doesn't matter)
FRICK n, where n is large enough to allow the other station time
        to send the start of an acknowledgement frame
```

Note: Do not operate the unit with multiple packet connections while FRICK is active (1-250). In contrast to FRACK, which provides one retry timer per multi-connect channel, there is only one FRICK timer on each radio port of the PK-900. Each logical channel will try to use the same FRICK timer, causing interference to the operation of the other channels.

Digipeaters should not be used when in the Meteor Scatter mode. The FRICK timer (unlike FRACK) does not allow any extra time when digipeater stations are specified.

To return to normal AX.25 packet operation turn User BIT 18 OFF. Also, be sure to disable the FRICK timer (by setting FRICK to 0) when you are through operating in Meteor Scatter mode.

This page is used to make the number of pages in this chapter an even number.

## CHAPTER 5

### MAILDROP OPERATION

#### 5.1 Overview of MailDrop Operation

The PK-900's MailDrop is a personal mailbox that uses a subset of the well-known WORLI/WA7MBL packet BBS commands allowing messages to be automatically sent and received. The MailDrop operates in Packet, AMTOR and PACTOR modes and may be accessed from both Radio Ports, although not simultaneously. This allows message traffic to move from Packet to AMTOR or PACTOR and vice versa.

When your MailDrop is active, distant stations can connect (in Packet) or Link (in AMTOR/PACTOR) to your PK-900, leave messages for you or read messages from you. If you choose to allow it, any station may leave messages for any other station simply by turning the parameter 3RDPARTY ON.

The Maildrop also supports forwarding and reverse forwarding of Packet messages if properly coordinated with a local "full service" BBS. Hierarchical message addressing is supported to simplify the routing of both national and international traffic.

##### 5.1.1 RAM Space for Message Storage

Approximately 17K bytes of RAM are available to your MailDrop. RAM space is dynamically allocated so that it is possible to store as many messages as you like until all the memory is filled. If all 18K of RAM is used, the MailDrop displays the message "\*\*\* No free memory".

##### 5.1.2 System Commands

MailDrop operation is completely under your "SYSOP" control from your local terminal or computer keyboard. Only you can start and stop MailDrop service. The commands shown below provide MailDrop control.

##### 5.1.3 Your MailDrop Callsign

When operating in Packet, your MailDrop can have its own callsign which you enter with the MYMAIL command. If you do not enter a callsign in MYMAIL, the MailDrop will use MYCALL when it is enabled. When operating the MailDrop in AMTOR, your 4 character MYSELCAL or 7 character MYIDENT is used and must be entered for remote users to access the MailDrop. See the command summary (Appendix A) for information on how to set MYSELCAL and MYIDENT

##### 5.1.4 Start and Stop MailDrop Operation

Set MAILDROP to ON to start Packet MailDrop operation (default is OFF). This command activates or deactivates your Packet MailDrop. Set TMAIL ON to start AMTOR/PACTOR MailDrop operation. Again, the default is OFF.

## 5.2 Local Logon

If you are using PC PACKRATT or some other host mode program, follow the instructions for the program. If you are using a terminal or terminal program the following sections apply.

Type MDCHECK to verify that you have local control of the MailDrop. You must not be connected or linked to any other stations to be able to do this.

Once logged on to your MailDrop from your local keyboard, you are shown the MailDrop prompt as though you were the calling station:

```
[AEA PK-900] 17396 free (B,E,K,L,R,S) >
```

You can now EDIT, KILL, LIST, READ or SEND messages. The number "17396 free" is the RAM available for MailDrop messages.

While you're "logged on" to your MailDrop, a connect request from another station will cause the PK-900 to send the "BUSY" frame. In AMTOR, the PK-900 simply ignores ARQ link requests while you are logged on to your MailDrop. When you are finished using the MailDrop, type "B" (BYE) to "log off". This returns the PK-900 to normal operation and makes your MailDrop available to other stations.

In Packet mode, you must leave the MAILDROP command ON if you wish to make it available for others. No other stations can reach your MailDrop unless the MAILDROP command is turned ON. In AMTOR, TMAIL must be ON.

You have full control of your PK-900 while the MAILDROP is ON. You can connect to others and carry on normal QSOs using the call sign in MYCALL provided you have entered a separate MYMAIL MailDrop callsign.

### 5.2.1 Monitor MailDrop Operation

Set MDMON to ON to monitor other stations' use of your MailDrop. Set MDMON OFF (default) to cancel MailDrop monitoring. User bit 13 allows MailDrop connect and status messages to be disabled as well. See the UBIT command in the command summary for specifics.

The MDMON command permits you to monitor a station's activity on your MailDrop showing you both sides of the QSO. Packet headers are not shown while a caller is connected to your MailDrop. When a caller is connected to the MailDrop, MCON determines what packets are monitored. When your MailDrop is idle, MONITOR determines what packets are seen.

### 5.2.2 Caller Prompts

MTEXT is the MailDrop connect-message prompt sent to a packet station connecting to the MailDrop if MMSG is ON. The default message is:

```
"Welcome to my AEA PK-900 maildrop.  
Type H for help."
```

MDPROMPT is the Message prompt sent to a station by the MailDrop. This prompt is given to a station sending a message. You can enter



any text with a maximum length of 80 bytes. The default prompt is:

```
"Subject:/Enter message, ^Z (CTRL-Z) or /EX to end"
```

You may wish to enter a CTEXT message announcing the presence of a mailbox and the call sign (MYMAIL) used to access your MailDrop.

### 5.3 SYSOP MailDrop Commands

While you have logged on to your MailDrop from your local keyboard with the MDCHECK command, the commands available to you are:

B, E, K, L, R, S.

These are the "standard" BBS commands available to the MailDrop SYSOP. Any other command sent by you is answered with the error message "\*\*\* What?". A brief description of each command follows. All the available commands are described in detail following the next section.

B	BYE	Log off the MailDrop
E	EDIT	Edit a MailDrop message
K	KILL	Kill or delete messages
L	LIST	List the message directory
R	READ	Read a specific message
S	SEND	Send a message

### 5.4 Remote User MailDrop Commands

When a remote user has logged on to your MailDrop the following commands will be available to the distant station:

A, B, H, J, K, L, R, S, V, ?.

A brief description of each command follows. These MailDrop commands are described in detail in the next sections.

A	ABORT	Aborts the reading of a long message
B	BYE	Log off the MailDrop
H	HELP	Help for the MailDrop commands
J	JLOG	Sends the PK-900 MHeard list
K	KILL	Kill or delete messages
L	LIST	List the message directory
R	READ	Read a specific message
S	SEND	Send a message
V	VERSION	Sends the PK-900 sign-on message
?	HELP	Help for the MailDrop commands

#### 5.4.1 A (ABORT) (Remote only)

The "A" command aborts the Listing or Reading of messages by a calling station. This is handy if the remote user decides not to continue reading a long message. The message "\*\*\* Done" followed by the MailDrop prompt will be sent after an Abort has been received. On the local terminal the SYSOP may type the CANLINE character (default <CTRL-X>) to abort a long screen dump.

#### 5.4.2 B (BYE)

The "B" command (Host abbreviation B1) logs the calling station (and you) off the MailDrop. A calling station will be disconnected; you will see the standard PK-900 "cmd:" prompt. The calling station may also simply disconnect.

#### 5.4.3 E (EDIT #) (SYSOP only command)

The Edit command (Host abbreviation E1) is a powerful tool for controlling the status of messages on your MailDrop. The SYSOP must access the MailDrop before typing this command. Here are all possible ways to use this command:

```
E                Shows the following short help file:
                  E msg#
                  E msg# B/T/P
                  E msg# Y/N/F
                  E msg# >/</@ callsign

E 12             Shows message 12's info line.
E 23 > WORM     Sets "WORM" as message 23's destination.
E 35 < WH1Z     Sets "WH1Z" as message 35's source.
E 48 @ N7ML     Sets "N7ML" as message 48's destination BBS.
E 49 @ N7ML.MT.NA Sets "N7ML" as message 49's destination BBS.
                  and adds the hierarchical forwarding
                  information .MT.NA signifying that N7ML BBS
                  is located in the state of Montana (MT)
                  which is located in North America (NA).

E 58 @         Clears message 58's destination BBS field.
E 60 P         Sets message 60's status to Private.
E 61 B         Sets message 61's status to Bulletin.
E 62 T         Sets message 62's status to Traffic.
E 63 Y         Sets message 63's status to Has-Been-Read.
E 64 N         Sets message 64's status to Has-Not-Been-Read.
E 49 F         Sets message 49's status to Reverse Forward.
```

The command "E n F" sets the message status to enable Reverse Forwarding of a message number. To cancel forwarding, set the status to either "Y" or "N." Please read the section on Reverse Forwarding (below) if you are interested in this feature.

#### 5.4.4 H (HELP) (Remote only command)

The "H" command sends the distant station a HELP list of all available MailDrop commands as shown below. The "?" will also cause the HELP file to be sent.

```
A(bort)  Stop Read or List
B(ye)    Log off
H(elp)   Display this message
J(log)   Display stations heard
K(ill)   K n: Kill message number n
          KM : Kill messages you have read
L(ist)   L : List message titles
```

```

                LM : List messages to you
R(ead)          R n: Read message number n
                RM : Read all your unread messages
S(end)         S  : Send a message to SYSOP
                S n: Send a message to station n
V(ersion)     Display TNC firmware version
?             Same as H(elp)

```

#### 5.4.5 J (JLOG) (Remote only command)

The "J" command sent by the distant station will cause your MailDrop to send the PK-900's MHEARD List to the station. This command is not available to you the SYSOP since you can simply enter MHEARD at the PK-900 command prompt.

#### 5.4.6 K n (KILL n [Mine])

The "K n" command (Host abbreviation K1) deletes message number "n" from the MailDrop. As SYSOP, you can kill any message. A calling station can kill only messages addressed to or from that station. Messages are killed by number, not call sign. The remote user may enter the "KM" (Kill Mine) command to KILL all of his or her messages that have been read previously.

#### 5.4.7 L (LIST [Mine])

The "L" command (Host abbreviation L1) shows you the SysOp a list of ALL active messages on the MailDrop. The list is preceded by the following column header:

```

Msg#      Size To      From   @ BBS      Date      Time      Title

```

All active messages are listed under this line with the most recent message first. DAYTIME must be set for the Date and Time to appear.

When a remote user types the LIST command, the MailDrop lists only the messages that user may read, including messages to "ALL" and "QST." Messages to other users are not displayed. The MailDrop accepts the LM (List Mine) command from the remote user. This command acts only on messages addressed to the remote user, not messages to "ALL" or "QST."

#### 5.4.8 R n (READ n [Mine])

The "R n" command (Host abbreviation R1) displays the header and text of message number "n". Messages are read by number, not call sign. As SYSOP, you can read all messages. A remote user may READ only messages addressed to his call sign, or to "ALL" or "QST". The MailDrop accepts the RM (Read Mine) command from remote users. This command acts only on messages addressed to the remote user, not messages to "ALL" or "QST." The RM command displays only messages that have not been read previously.

#### 5.4.9 S callsign (SEND callsign)

The "S callsign" command (Host abbreviation S1) notifies the MailDrop that either you as SYSOP or the calling station will now send text into a message.

If 3RDPARTY is ON, then the calling station can leave a message for a station other than the SYSOP. If the station attempts to leave third party traffic with 3RDPARTY OFF, then the calling station will see:

```
*** No 3rd party traffic.  
[AEA PK-900] 17396 free (A,B,H,J,K,L,R,S,V,?) >
```

If all 17K of the RAM is used, the MailDrop displays the message "\*\*\* No free memory". If there is room, the MailDrop displays the Subject request message prompt:

"Subject:"

Enter a short (up to 27 character) description of the subject of the message. The MailDrop will then send the message prompt:

"Enter message, ^Z (CTRL-Z) or /EX to end"

After entering the message there are two ways to end the message. Either the <CTRL-Z> may be entered followed by a carriage return, or the 3 characters "/EX" and a carriage-return on a line by itself will end the message being sent. After this the MailDrop prompt should appear indicating that the MailDrop is ready for another command.

After ending the message, if you or the calling party see the message "\*\*\* No free memory", this means that the message was too large for the available MailDrop memory and has been deleted. If this occurs, you must shorten the message to fit into available memory shown in the MailDrop prompt, and re-send the message.

When logged on from your local keyboard, if you use the "S" command without a call sign, you'll see the error message "\*\*\* Need callsign". However, a calling station may use the S command without a callsign; it is understood that the message is directed to the PK-900's SYSOP.

As soon as a calling station uses the S command to send you (the SYSOP) a message, the MAIL LCD starts blinking to show that a message has been left for you. When you log on to your MailDrop with the MDCHECK command the MAIL LCD will stop blinking.

#### 5.4.9.1 Sending Other Types of Messages with SEND

Each message in the PK-900 MailDrop has a flag to show whether it is Private, Traffic or a Bulletin. A "P," "T" or "B" after the message number shows the status of every message. A user sets this with the SP, ST and SB forms of the Send command. The SYSOP may set this with the Edit (E) command described above. If only S is used as the Send command, the MailDrop will assign the message a Private (P) status.

A Private message can be listed, read and killed only by the recipient or sysop. Bulletins are listable and readable by all and may be killed by only the originator or sysop. Traffic is handled much like private messages but are intended for BBS handling. The PK-900 MailDrop also accepts SEND commands of the form "SP SYSOP < W1AW." The call sign after the "<" goes into the "From" field of the message header.

For example, your MailDrop accepts the following additional information in a Send command:

```
S N7ML @ K6RFK < N6IA
```

The above means you want to send a message to N7ML who uses the K6RFK Bulletin-Board and the message is from N6IA.

The PK-900 MailDrop accepts hierarchical forwarding information that is helpful in reverse forwarding to full service BBS stations. An example of this is shown below:

```
SP N7ML @ K6RFK.WA.NA
```

The above means that you want to send a message to N7ML who uses the K6RFK Bulletin-Board which is located WASHINGTON which is located in North America.

The PK-900 MailDrop also supports BIDs (Bulletin IDs). This support is required for Reverse Forwarding (see below). The BID begins with a "\$" character and is sent and received in the Send command line:

```
S N7ML @ K6RFK < N6IA $345_KB7B
```

With the PK-900 MailDrop you may also use just the "\$" all by itself as shown in the two examples below:

```
S N7ML @ K6RFK < N6IA $  
or S ALL $
```

In this case, the PK-900 MailDrop will assign its own BID to these messages.

#### 5.4.10 V (VERSION) (Remote only command)

The "V" command causes the PK-900 to send the sign-on message and firmware date to the remote user only.

#### 5.4.11 ? (HELP) (Remote only command)

The "?" command sends the distant station a HELP list of all available MailDrop commands shown above under the "H" command. Both the "?" and the "H" cause this same file to be sent to the remote user.

### 5.5 Sample MailDrop Session - The Remote User's Point of View

Let's see what the MailDrop looks like to a calling station. Let's assume that your call is "WX1AAA", and that you wish to connect and log on to "WX2BBB's" MailDrop system. During your session on his MailDrop, you wish to list the messages to see if there is a message for you, read it if it exists, kill it after you're done reading it, send a return message to WX2BBB and finally log off or disconnect from his MailDrop.

### 5.5.1 Connect and Logon

From the cmd: prompt, type the usual connect request:

```
cmd:c wx2bbb                                {Connect request}
*** CONNECTED to WX2BBB                      {PK-900 status line}

You have mail                                {informs the user
                                             mail is waiting}
[AEA PK-900] 16508 free (A,B,H,J,K,L,R,S,V,?) > {MailDrop's prompt}
```

### 5.5.2 LIST Messages

You're logged on and have gotten the MailDrop's prompt:

```
[AEA PK-900] 16508 free (A,B,H,J,K,L,R,S,V,?) > {MailDrop's prompt}
```

Now, type "L" to LIST all the messages in the MailDrop.

```
L                                             {The LIST command}
                                             {The MailDrop responds}

Msg#      Size To      From    @ BBS      Date      Time      Title
  6 PN      184 WX1AAA WX2BBB     01-Jun-90 20:15     Hello Joe
  5 BY      287 ALL      WX2BBB     01-Jun-90 18:42     Question
  4 BY      178 QST      WX2BBB     01-Jun-90 17:30     Mailbox
  1 BY       56 ALL      WX2BBB     01-Jun-90 10:22     APLINK
[AEA PK-900] 16508 free (A,B,H,J,K,L,R,S,V,?) > {MailDrop's prompt}
```

### 5.5.3 READ Messages

You've seen the list of messages and wish to READ yours. You've seen the MailDrop's prompt:

```
[AEA PK-900] 16508 free (A,B,H,J,K,L,R,S,V,?) > {MailDrop's prompt}
```

Now, type "R #" to READ the one message number to you in the MailDrop.

```
R 6                                             {The READ 6 command}
                                             {The MailDrop responds}

Msg#      Size To      From    @ BBS      Date      Time      Title
  6 PN      144 WX1AAA WX2BBB     01-Jun-90 20:15     Hello Joe
                                             {The message header}

Hello Joe. Did you get the notice
about next month's meeting of the
Radio Society at the Firehouse?
Will you be going? - I need a ride.
73.                                             {The message}
```

```
[AEA PK-900] 16508 free (A,B,H,J,K,L,R,S,V,?) > {MailDrop's prompt}
```

### 5.5.4 KILL Messages

You've read the message addressed to you and wish to KILL it. Again you see the MailDrop's prompt:

```
[AEA PK-900] 16508 free (A,B,H,J,K,L,R,S,V,?) > {MailDrop's prompt}
```

Now, type "K #" to KILL one specific message in the MailDrop.

```
K 6                                     {The KILL 6 command}
*** Done.                               {MailDrop confirms}
[AEA PK-900] 16704 free (A,B,H,J,K,L,R,S,V,?) > {MailDrop's prompt}
```

#### 5.5.5 SEND Messages

You've killed the message and wish to SEND a reply to the MailDrop's operator, WX2BBB. Again you see the MailDrop's prompt. Remember the number after the right bracket "]" shows you how much memory space is available in the MailDrop. Always verify that the MailDrop has enough memory remaining for the length of message you intend to send.

```
[AEA PK-900] 16704 free (A,B,H,J,K,L,R,S,V,?) > {MailDrop's prompt}
```

Now, type "S [callsign]" to SEND a message to the MailDrop's SYSOP. If you omit the call sign, the MailDrop will address the message to the MYMAIL or MYCALL call sign. Messages sent with the S command are considered Private unless they are sent to "ALL" or to "QST".

```
S WX2BBB                               {The "SEND callsign" command}
Subject:                               {MailDrop's Subject prompt}
I WILL BE GOING                         {Your subject entry}
Enter message, ^Z (CTRL-Z) or /EX to end {MailDrop answers you}
```

```
YEAH, I GOT THE MAILING AND WILL       {Type your message to WX2BBB}
BE GLAD TO PICK YOU UP.  WHAT TIME
DO YOU WANT ME THERE?  IS MARY
GOING?  CUL.  WX1AAA
/EX                                     {End the message with /EX}
```

```
[AEA PK-900] 16508 free (A,B,H,J,K,L,R,S,V,?) > {MailDrop's prompt}
```

NOTE: If the message was ended with the "/EX", the last line will contain a "/E" when the message is read. To avoid this, use the <CTRL-Z> to end messages.

#### 5.5.6 Log Off and Disconnect

You're finished with this session. Time to log off the MailDrop.

```
[AEA PK-900] 16508 free (A,B,H,J,K,L,R,S,V,?) > {MailDrop's prompt}
```

Now, type "B" (for Bye) to LOG OFF the MailDrop.

```
B                                     {The Bye command}
```

The MailDrop issues an immediate disconnect command to your PK-900 and the connection is over.

```
*** DISCONNECTED                       {PK-900's status line}
```

5.6 Sample MailDrop Session - MailDrop SYSOP's Point of View

Here is a transcription of the entire session described in the previous section, exactly as it would appear to the MailDrop's operator (SYSOP). We're assuming that the MDMON command is set to ON.

When MDMON is ON, you have the ability to supervise the activities of any station logged on to your MailDrop and - if needed - take any corrective action.

```
WX1AAA>WX2BBB <C,P>
You have mail
[AEA PK-900] 16508 free (A,B,H,J,K,L,R,S,V,?) >
*** CONNECTED to WX1AAA (Maildrop)
```

```
L
Msg#      Size To      From    @ BBS      Date      Time      Title
 6 PN      184 WX1AAA WX2BBB      01-Jun-90 20:15    Hello Joe
 5 BY      287 ALL     WX2BBB      01-Jun-90 18:42    Question
 4 BY      178 QST    WX2BBB      01-Jun-90 17:30    Mailbox
 1 BY       56 ALL     WX2BBB      01-Jun-90 10:22    APLINK
[AEA PK-900] 16508 free (A,B,H,J,K,L,R,S,V,?) >
R 6
Msg#      Size To      From    @ BBS      Date      Time      Title
 6 PN      184 WX1AAA WX2BBB      01-Jun-90 20:15    Hello Joe
```

```
Hello Joe. Did you get the notice
about next month's meeting of the
Radio Society at the Firehouse?
Will you be going? - I need a ride.
73.
```

```
[AEA PK-900] 16508 free (A,B,H,J,K,L,R,S,V,?) >
K 6
*** Done.
[AEA PK-900] 16704 free (A,B,H,J,K,L,R,S,V,?) >
S WX2BBB
Subject:
I WILL BE GOING
Enter message, ^Z (CTRL-Z) or /EX to end
```

```
YEAH, I GOT THE MAILING AND WILL
BE GLAD TO PICK YOU UP. WHAT TIME
DO YOU WANT ME THERE? IS MARY
GOING? CUL. WX1AAA
/EX
```

```
[AEA PK-900] 16508 free (A,B,H,J,K,L,R,S,V,?) >
B
*** DISCONNECTED
```



### 5.6.1 Message Numbers

Any message that is sent to the PK-900 MailDrop by a remote user or you, the SYSOP, is given a message number. Message numbers start at 1 and over time work their way up to 999 and then wrap back around to 1 again. Sometime it is desirable to reset the message counter. This can be done with the LASTMSG command which is described in the Command summary.

### 5.7 Forwarding and Reverse Forwarding with the PK-900 MailDrop

Forwarding allows your large community Bulletin Board System (BBS) to automatically connect to your MailDrop and send messages to you. Similarly, Reverse Forwarding allows your community BBS to connect to your MailDrop and get messages you wish to send to others.

Forwarding and Reverse Forwarding (or simply Auto-Forwarding) can be an advantage in a local area. The community BBS can be set to connect to your MailDrop at times when local traffic is low, such as late at night. This can spread out the traffic volume on a packet frequency which can become quite heavy in the "prime time" early evening hours.

Auto-Forwarding is involved and requires the cooperation of both you and your community BBS Operator. Not all large BBSs will forward to individual users. Some packet frequencies are so busy forwarding to other BBSs that they can not forward to individuals. You must contact the community BBS SYSOP to determine the guidelines in your area.

#### 5.7.1 MailDrop Settings for Auto-Forwarding

The following must all be set properly for Auto-Forwarding to operate.

- Enter your MYCALL. Enter your MYMAIL if you desire to use a separate call sign for the MailDrop.
- Make arrangements with your local BBS SYSOP to Auto-Forward to your MailDrop. Make sure you let the him know the MailDrop call sign you will use. The BBS SYSOP must program his system to connect to your MailDrop or Auto-Forwarding will not function.
- Enter the call sign of this community BBS in the HOME BBS command.
- Leave your PK-900 and radio ON THE AIR so that your local BBS can connect to your MailDrop. If your packet station is not on when the local BBS tries to connect, the advantage of Auto-Forwarding is lost and the BBS SYSOP may drop you from the Forwarding list.

Once the above have been completed, you are ready to receive messages automatically from your local BBS. The next section describes how to prepare messages for Reverse Forwarding to the local BBS (HOME BBS).

## 5.7.2 Entering a Message for Reverse Forwarding

To prepare a message for Reverse Forwarding to another station:

- Type MDCHECK to access your MailDrop from your terminal.
- Using the Send command, type the message you want forwarded. Use the "@" field to set the destination BBS where the addressee will pick up his mail. For example if you want to send a message to N6UND who you know uses the BBS N6IIU enter the following:

```
S N6UND @ N6IIU.CA.NA
```

Note that the "@" call sign does not need to be the same as the HOMEBBS call sign. The "@" call sign can be typed as part of the Send command or as part of the Edit command described earlier. The ".CA.NA" is optional "Hierarchical forwarding" information that in this case designates that N6IIU is located in the state of California.

- Enter the Subject and text of the message as described above in the Send command section. Don't forget to end your message with <CTRL-Z> or "/EX" on its own separate line also described above.
- Use the Edit command to set the Forwarding flag for each message that will be Reverse Forwarded to HOMEBBS. This is described in the Edit command section above. For example the following will mark message number 53 for Reverse Forwarding.

```
E 53 F                (Sets Reverse Forwarding for message 53.)
```

- Log off your MailDrop with the B (Bye) command.
- If you wish each message to disappear as it is Reverse Forwarded, leave KILONFWD ON. If you wish to keep each message after it has been Forwarded, turn KILONFWD OFF. After forwarding, the message flag will change from "F" to "Y" to show that it has been read.

## CHAPTER 6

### BAUDOT AND ASCII RTTY OPERATION

#### 6.1 Overview

Baudot (pronounced Baw-dough) has been in use for many years. The five bit Baudot/Murray code was the basis of the Western Union Telex service and Baudot RTTY (Radio TeleTYpe) is still widely used on the HF amateur bands. The Baudot character set contains the upper-case letters, the numbers 0-9 and some common punctuation characters. Because Baudot has only five bits, it is less prone to errors than seven bit ASCII. Your PK-900 provides Baudot RTTY at all standard speeds in use today, including commercial speeds up to 300 bauds.

ASCII (pronounced Ask-kee), the American Standard Code for Information Interchange has been in use for nearly 30 years. ASCII is a 7-bit code and was designed to overcome the limitations of the Baudot character set by including both upper and lower case letters, numbers, all punctuation as well as many computer control codes. ASCII is not as popular on the amateur bands, but its operation is almost identical to Baudot RTTY so we will describe them both in this chapter.

Baudot and ASCII may be operated on Radio Port 1 on the PK-900. Packet may be used on Radio Port 2 at the same time, so you won't miss any connects while operating Baudot or ASCII on HF.

#### 6.2 Where to Operate Baudot and ASCII RTTY

Before you can operate Baudot or ASCII RTTY, you must first know where the activity is. Most RTTY operation occurs on the 20-meter amateur between 14.08 and 14.10 MHz. RTTY activity can be found on the other HF amateur bands as well and is most often located between 80 and 100 kHz up from the bottom of the band as it is on 20 meters.

##### 6.2.1 PK-900 Baudot RTTY Parameter Settings

First you must enter the Baudot mode of the PK-900. If you are using an AEA PAKRATT program, follow the instructions in the program manual to enter the Baudot mode.

If you are using a terminal, simply type "BAUDOT" or "BA" from the Command Mode followed by the <Enter> key to enter the Baudot mode. The PK-900 responds by displaying the previous mode:

```
Opmode   was Packet
Opmode   now BAudot
```

Your PK-900's front panel LCD display will show the Baudot operating mode on Radio Port 1 and the SYSTEM COMMAND LCD will also be on.



If the tuning indicator looks like the one below, the frequency from your speaker is too low for the PK-900 to copy the signal. Slowly tune the VFO and make the frequency higher.

MARK | █ █ █ █ █ █ █ █ | SPACE

Tuning too low for discriminator indicator (BAR 0)

| █ █ █ █ █ █ █ █ █ █ |

Tuning too low for magic eye indicator (BAR 3)

| █ █ |

Tuning too low for center tune indicator (BAR 2)

If the tuning indicator looks like the one below, the frequency from your speaker is too high for the PK-900 to copy the signal. Slowly tune the VFO and make the frequency lower.

MARK | █ █ █ █ █ █ █ █ █ █ | SPACE

Tuning too high for discriminator indicator (BAR 0)

| █ █ █ █ █ █ █ █ █ █ |

Tuning too high for magic eye indicator (BAR 3)

| █ █ |

Tuning too high for center tune indicator (BAR 2)

- o Adjust the THRESHOLD control so the PK-900's port 1 DCD LCD is on when a properly tuned RTTY station is being received.

HINT: If you adjust the THRESHOLD control so the DCD LCD goes out when no station is being received, you will prevent garbage characters generated by noise from printing on your screen.

After you have an ASCII or RTTY station tuned in, you should start seeing the copy printing on your screen.

NOTE: If the text you are receiving is garbled, you may be tuned to a transmission at a different baud rate. Either try tuning in a different station, or see Chapter 10 on SIGNAL IDENTIFICATION to let the PK-900 determine the kind of station you are listening to.

### 6.3 Transmitter Adjustments

Make sure your PK-900 is adjusted for your SSB transmitter as described in section 3.5 and 3.5.2 of this manual before transmitting. These are very critical adjustments. If your PK-900's AFSK level and transmitter microphone gain are not adjusted properly, other stations will not be able to copy your signals. Check the plate current, collector current or power output of your rig before transmitting.

#### 6.3.1 Going On The Air

Make sure your transmitter and antenna are tuned and adjusted for the band and operating frequency you are using. If you are using an AEA PAKRATT program, see the program manual for the proper way to place the PK-900 into RTTY transmit mode.

If you are using a terminal or terminal program, the following will place your PK-900 and transceiver into the transmit mode.

- o Make sure that you have selected Radio Port 1 by pressing the CHSWITCH character defined in Chapter 4 followed by the number 0.
- o Type "X" for XMIT and then press the <Enter> key to key your transmitter and automatically enter the Converse mode.

As soon as you type the <Enter> key you will be transmitting. At this point you are also in the CONVERSE mode and anything you type will be sent in Baudot by your transmitter.

When you are finished transmitting, use one of the following methods to return to receive.

- o Type <CTRL-D> (the RECEIVE character) to shut off your transmitter and return to the Command Mode.
- o Type <CTRL-F> (the CWID character) to send a Morse ID and shut off your transmitter and return to Command Mode.
- o Type <CTRL-C> (the COMMAND character) to return to the Command Mode and then type "R" to shut down your transmitter and end the contact.

See the following sections for a sample QSO as well as some Baudot operating hints.

### 6.4 A Typical Baudot RTTY Contact

As with most amateur operating modes, you can start a contact either

by "calling CQ" or by answering a "CQ" call by another station.

#### 6.4.1 Calling CQ

To call CQ first you must tell your PK-900 to start transmitting.

- o Type "X" to key your transmitter and start the PK-900 sending.
- o Type in your CQ message (use YOUR callsign) such as the one below:

```
CQ CQ CQ CQ CQ CQ CQ DE YOURCAL YOURCAL YOURCAL
CQ CQ CQ CQ CQ CQ CQ DE YOURCAL YOURCAL YOURCAL
CQ CQ CQ CQ CQ CQ CQ DE YOURCAL YOURCAL YOURCAL
CQ CQ CQ CQ CQ CQ CQ DE YOURCAL YOURCAL YOURCAL K
<CTRL-D>
```

- o Type <CTRL-D> at the end of your CQ call. The <CTRL-D> puts both your radio and the PK-900 into the receive mode.
- o Wait a bit to see if you get a response. If not, you can repeat the above procedure.

#### 6.4.2 Answering a CQ

Let's assume you hear KZ7G calling CQ. To answer, do the following:

- o Type "X" to key your transmitter and start the PK-900 sending.
- o Call the other station by giving his call followed by your call, (KZ7G DE YOURCAL). Start the transmission with a line of RYs as a tuning signal for the distant station. Here's an example:

```
RYRYRYRYRYRYRYRYRYRYRYRYRYRYRYRYRYRYRYRYRYRYR
KZ7G KZ7G KZ7G DE YOURCAL YOURCAL YOURCAL
KZ7G KZ7G KZ7G DE YOURCAL YOURCAL YOURCAL
KZ7G KZ7G KZ7G DE YOURCAL YOURCAL YOURCAL
<CTRL-D>
```

(If the other station can't copy these four lines of text, the chances are he won't copy any more than that. No need to waste time and bandwidth by typing 15 or 20 lines of the same thing.)

- o Type <CTRL-D> at the end of your call. The <CTRL-D> puts both your radio and the PK-900 into the receive mode.

Always end every transmission with a carriage return to force the distant station's screen cursor or teleprinter back to the left margin on a new line. It's a good operating habit that keeps things neat.

- o Wait a bit to see if you get a response. If not, you can repeat the above procedure.

#### 6.5 Baudot RTTY Operating Tips

The PK-900 can automatically determine the speed of the received

signals with the SIGNAL IDENTIFICATION (SIAM) mode. However, you can manually step through all the available RTTY receiving speeds with the RBAUD command.

The following "Function Keys" and immediate commands are included for Baudot RTTY operating convenience.

Immediate Commands from the Command Mode:

"L"	Forces LETTERS case in receive.
"N"	Forces FIGURES case in receive.
"R"	Switches system to receive mode, forces LETTERS case.
"X"	Switches system to transmit mode and forces immediate entry into Converse mode.
"K"	Go to CONVERSE Mode in order to load Transmit type ahead buffer.

"Function Key" characters embedded in transmitted text:

<CTRL-B>	Sends AAB string as a HEREIS message.
<CTRL-E>	Sends "Who Are You" request to distant station.
<CTRL-O>	Sends LETTERS shift character.
<CTRL-N>	Sends FIGURES shift character.
<CTRL-D>	Shuts off transmitter after sending character buffer.
<CTRL-F>	Sends call sign in Morse and shuts off transmitter.
<CTRL-T>	Sends the Time if the DAYTIME clock has been set.

#### 6.5.1 Changing Speed

Assume you've been receiving at 45 bauds and wish to increase the baud rate in steps. From the Command mode, type RB U (Up) followed by an <Enter>. The PK-900 responds with:

```
RBaud   was 45
RBaud   now 50
```

The RBAUD command sets the Baudot RTTY speed. The most common speed is 45 bauds on HF, but other speeds including commercial speeds are supported. See the Command Summary for all the supported speeds.

#### 6.5.2 Formatting Your Transmitted and Received Text

The default configuration of the PK-900 RTTY parameters are set for natural conversation and traffic. Sometimes it is desired to alter how your text looks on the screen of the station you are talking to. The commands ACRRTTY and ALFRTTY allow for customizing the Carriage Return and Linefeed characters in your transmitted text.

To allow for changing how received text is displayed on your screen or printer, see the ACRDISP and ALFDISP commands in the Command Summary.

MARS operators have some special requirements for RTTY operation and displaying text. To accommodate these, the CRADD and MARSDISP commands are included and should be reviewed in the Command Summary.



### 6.5.3 Sending a Synchronous Idle or DIDDLE

Some RTTY users like to send an idle signal when no data is being transmitted. To allow for this the PK-900 has the DIDDLE command. See the Command Summary for more information.

### 6.5.4 Echoing Transmitted Characters As Sent (EAS)

Since Baudot RTTY at 45 baud is rather slow, some users like to know when the characters are actually being sent. The EAS command when ON echoes characters to the display only when they are sent over the air.

### 6.5.5 Sending Only Complete Words

Some RTTY users like to have their words sent out only when they are complete. This allows the word you are currently typing to be edited as long as you have not typed a <Space> character. Turning WORDOUT ON activates this feature. See the Command Summary for more information.

### 6.5.6 Operating on the Wrong Sideband

In RTTY operation it is important to operate on the correct sideband, otherwise other stations will not be able to copy your transmissions. If you find another station operating on the wrong sideband, you can reverse your receive sense with the RXREV command so you will not have to change sidebands yourself.

Similarly, if someone tells you that you are on the wrong sideband, you can correct your transmit signal sense with the TXREV command. See the Command summary for more information on these commands.

### 6.5.7 Framing errors

Baudot and ASCII RTTY operation traditionally do not check for errors and tend to be prone to receiving "garbage". The PK-900 has the ability to check for framing errors on received characters which can reduce the amount of "garbage" characters on the screen. To reduce the amount of erroneous characters printed on the screen, turn the command RFRAME ON (default OFF). See the Command Summary for a complete description of the RFRAME command.

### 6.5.8 Unshift-On-Space (USOS)

The Unshift-On-Space (USOS Command) automatically changes the received Baudot/Murray code characters to the LETTERS or lower case condition after any "space" character is received.

When operating Baudot RTTY under poor conditions, a received LETTERS-SHIFT character can be garbled, or another character can be wrongly interpreted as a FIGURES-SHIFT character. Turning USOS ON helps reduce reception errors under these conditions.

Some commercial, weather and utility RTTY services send groups of numbers separated by spaces. When receiving such non-amateur signals, USOS should be OFF to prevent displaying LETTERS-shifted characters when the originator may have intended the data to be FIGURES-shifted.

### 6.5.9 Operating at Commercial or VHF Wide RTTY Shifts

Most commercial stations found in the non amateur Short Wave bands operate with a wide Frequency Shift keying of either 425 or 850 Hz shift. To allow these stations to be received other modems are available in the PK-900 and can be selected with the MODEM command. The following modems are available for Baudot and ASCII operation:

#### Radio Port 1 Modems

MODEM 1	AFSK Modem, 170 Hz shift, M 2125 Hz, S 2295 Hz, 45 bps
MODEM 2	AFSK Modem, 170 Hz shift, M 2125 Hz, S 2295 Hz, 100 bps
MODEM 3	AFSK Modem, 200 Hz shift, M 2110 Hz, S 2310 Hz, 45 bps
MODEM 4	AFSK Modem, 200 Hz shift, M 2110 Hz, S 2310 Hz, 100 bps
MODEM 5	AFSK Modem, 425 Hz shift, M 2125 Hz, S 2550 Hz, 100 bps
MODEM 6	AFSK Modem, 850 Hz shift, M 2125 Hz, S 2975 Hz, 100 bps
MODEM 7	AFSK Modem, 850 Hz shift, M 2125 Hz, S 1275 Hz, 100 bps
MODEM 10	AFSK Modem, 200 Hz shift, M 2110 Hz, S 2310 Hz, 300 bps

If your license permits, you can also transmit to these stations when the appropriate MODEM number and data rate is selected.

### 6.5.10 The CODE Command for International RTTY Compatibility

The CODE command allows the PK-900 to receive (and sometimes send) other RTTY character sets. Part 97.69 of the FCC rules specifies that the International Telegraph Alphabet Number 2 (ITA #2) must be used by U.S. stations when operating RTTY. This corresponds to the CODE 0 command (default), but you may want to see the CODE command for more information on the capabilities of your PK-900.

### 6.5.11 Copying Encoded RTTY Transmissions

In the Short Wave bands many RTTY stations can be found that are not transmitting in plain text. Most of these stations are using sophisticated encryption techniques that make receiving them almost impossible. There are a few stations however that use a relatively simple bit-inversion technique to make them hard to copy. For these stations, the PK-900 has included the BITINV command to allow the SWL to decode these simple forms of encoded RTTY stations.

## 6.6 ASCII RTTY Operation

ASCII RTTY operation is almost identical to Baudot operation but there are a few differences you must know. Because the ASCII code uses seven bits to define a character (instead of the five bits used in the Baudot/Murray code), the probability of receiving errors is somewhat higher. For these reasons, ASCII is not used widely on the HF amateur bands. However, some commercial and military HF stations as well as W1AW do use ASCII.

### 6.6.1 Starting ASCII Operation

First you must enter the ASCII mode of the PK-900. If you are using an AEA PAKRATT program, follow the instructions in the program manual to enter the ASCII mode.

If you are using a terminal, simply type "ASCII" or "AS" from the Command Mode followed by the <Enter> key to enter the ASCII mode.

The PK-900 responds by displaying the previous mode:

```
Opmode   was BAudot
Opmode   now AScii
```

Your PK-900's front panel LCD Status display will show that you are in the ASCII mode on Radio Port 1 and the COMMAND LCD will be on.

The following parameters are the most common settings for HF ASCII operation. Check the parameters and make sure they are set as follows:

```
ABAUD    110 (or whatever speed you wish)
RXREV    OFF
TXREV    OFF
MODEM    2 (or 10 for 300 baud operation)
```

Some VHF Bulletin Boards and MSOs use ASCII at 110 and 300 bauds, most commonly on two meters. Be sure that you have selected the appropriate modem. When you change mode to ASCII, the QRTTY command will select a modem that is correct for Baudot but may not be appropriate for 300 baud ASCII.

#### 6.6.2 ASCII RTTY Operating Tips

Follow the general operating procedures shown in the sections above for Baudot RTTY. As in Baudot operation, you can step the system through all the available receiving speeds.

The following "Special Function Characters" and immediate commands are included for ASCII RTTY operating convenience.

Immediate Commands From the Command Mode:

```
"R"      Switches system to receive mode.
"X"      Switches system to transmit mode and forces immediate
          entry into Converse mode.
"K"      Go to CONVERSE Mode in order to load the Transmit type
          ahead buffer.
```

Special Function Characters embedded in transmitted text:

```
<CTRL-B> Sends AAB string as a HEREIS message.
<CTRL-D> Shuts off transmitter after sending character buffer.
<CTRL-E> Sends "Who Are You" request to distant station.
<CTRL-F> Sends call sign in Morse and shuts off the transmitter.
<CTRL-T> Sends the Time if the DAYTIME clock has been set.
```

#### 6.6.3 Changing ASCII Baud Rates

Assume you've been receiving at 110 bauds and wish to increase the baud rate in steps. From the Command mode, type AB U followed by an <Enter>. The PK-900 responds with:

ABaud was 110  
ABaud now 150

The ABAUD command sets the ASCII RTTY speed. The most common speed is 110 bauds on HF, but other speeds including commercial speeds are supported. See the Command Summary for all the supported speeds.

#### 6.6.4 Operating at Commercial or VHF Wide ASCII RTTY Shifts

Most commercial stations found in the non amateur Short Wave bands operate with a wide Frequency Shift keying of either 425 or 850 Hz shift. To allow these stations to be received other modems are available in the PK-900 and can be selected with the MODEM command.

The following modems are available for Baudot and ASCII operation on Radio Port 1:

MODEM 1	AFSK Modem, 170 Hz shift, M 2125 Hz, S 2295 Hz, 45 bps
MODEM 2	AFSK Modem, 170 Hz shift, M 2125 Hz, S 2295 Hz, 100 bps
MODEM 3	AFSK Modem, 200 Hz shift, M 2125 Hz, S 2550 Hz, 45 bps
MODEM 4	AFSK Modem, 200 Hz shift, M 2125 Hz, S 2975 Hz, 100 bps
MODEM 5	AFSK Modem, 425 Hz shift, M 2125 Hz, S 2550 Hz, 100 bps
MODEM 6	AFSK Modem, 850 Hz shift, M 2125 Hz, S 2975 Hz, 100 bps
MODEM 7	AFSK Modem, 850 Hz shift, M 2125 Hz, S 1275 Hz, 100 bps
MODEM 10	AFSK Modem, 200 Hz shift, M 2110 Hz, S 2310 Hz, 300 bps

If your license permits, you can also transmit to these stations when the appropriate MODEM number and data rate is selected.

#### 6.6.5 Other RTTY Commands for ASCII Operation

Many of the commands mentioned above in the Baudot Section also operate in the ASCII RTTY mode as well. They are listed below:

AAB	ACRDISP	ALFDISP	DIDDLE	EAS	RFRAME
RXREV	TXREV	WORDOUT	WRU		

#### 6.7 Simultaneous RTTY and Packet Operation

Your PK-900 can operate on Baudot or ASCII RTTY on Radio Port 1 and HF or VHF Packet on Radio Port 2 at the same time. With this feature you won't miss any local Packet activity while operating RTTY.

Before the second radio port can be used for packet operation, a modem must be selected for the second port. Use the MODem command to select either or both modems, for example, MOD 1/4. For Radio Port 2, the command would be MOD /4 to select modem 4.

The Radio Port 2 modems are:

```
MODEM 1 AFSK Modem, 200 Hz shift, Mark=1270 Hz, Space=1070 Hz
MODEM 2 AFSK Modem, 200 Hz shift, Mark=2225 Hz, Space=2025 Hz
MODEM 3 AFSK Modem, 1000 Hz shift, Mark=1200 Hz, Space=2200 Hz
MODEM 4 AFSK Modem, 1000 Hz shift, Mark=1200 Hz, Space=2200 Hz eq
MODEM 5 AFSK Modem, 200 Hz shift, Mark=980 Hz, Space=1180 Hz
MODEM 6 AFSK Modem, 200 Hz shift, Mark=1650 Hz, Space=1850 Hz
MODEM 7 AFSK Modem, 800 Hz shift, Mark=1300 Hz, Space=2100 Hz
MODEM 8 AFSK Modem, 800 Hz shift, Mark=1300 Hz, Space=2100 Hz eq
MODEM 9 AFSK Modem, Direct FSK 9600 baud internal option.
MODEM 10 Modem disconnect header External option, user supplied.
```

### 6.7.1 Selecting Modems

The various modems available in the PK-900 can be seen with the DIR(ectory) command. To display all the available modems simply enter the Command Mode of the PK-900 and then type DIR as shown.

```
DIR <Enter>
```

The PK-900 will respond with the following:

```
  - Port 1 -                               -Port 2 -
1: FSK 45 bps 170: 2125/2295                1: Internal 200: 1070/1270
2: FSK 100 bps 170: 2125/2295               2: Internal 200: 2025/2225
3: FSK 45 bps 200: 2110/2310                3: Internal 1000: 1200/2200
4: FSK 100 bps 200: 2110/2310               4: Internal 1000: 1200/2200 eq.
5: FSK 100 bps 425: 2125/2550               5: Internal 200: 1180/980
6: FSK 100 bps 850: 2125/2975               6: Internal 200: 1850/1650
7: FSK 100 bps 850: 1275/2125              7: Internal 800: 2100/1300
8: Analog 900/2500                          8: Internal 800: 2100/1300 eq.
9: FSK 2400 bps 800: 1300/2100              9: Internal option
10: FSK 300 bps 200: 2110/2310              10: Modem disconnect header
11: FSK 1200 bps 1000: 1200/2200
12: Morse 750
cmd:
```

Any modem from the list may be loaded with the MODEM command, but only Radio Port 1 modems 1 through 7 and 10 should be used for Baudot or ASCII RTTY.

For example, to operate 45 baud Baudot on radio port 1 and 1200 bps VHF packet on radio port 2 you must load modem 1/4. To load modem 1 from Radio Port directory 1 and modem 4 from Radio Port directory 2, first enter the Command Mode and then type MODEM 1/4 as shown below:

```
MODEM 1/4 <Enter>
```

The PK-900 will respond with the following:

```
MODem was x/x (will show previous modems)
MODem now 1/4
```

When starting Baudot or ASCII RTTY operation, the PK-900 defaults to

the modem number set in the QRTTY command. You may wish to change the number in QRTTY to the modem number you prefer to use in Baudot RTTY.

### 6.7.2 Displaying Received Data

The Radio command may be used to disable port 2. This may be desirable when operating RTTY and you do not want to be disturbed with any packet signals that may be received on radio port 2. To disable port 2, enter:

RADIO ON/OFF <Enter>      or      RADIO 1/0

To enable both radio ports, type:

RADIO ON/ON <Enter>      or      RADIO 1/2

When a Dual Port operation is selected, received data is displayed from both Radio Ports at the same time. This allows you to operate on HF and not miss any local Packet connects or information from DX spotting nets.

The PK-900 sorts and displays received data from each Radio Port using the same technique as multi-connect packet operation described in Chapter 4. That is, when operating on one port and the other port becomes active, the displayed data from the inactive port is shown prefaced by the "channel designator" followed by a colon (:). Recall that Radio Port 1 is designated by "logical" channels from 0-9 and that Port 2 is designated by "logical" channels A-Z. This is true whether single port or dual port operation is selected.

### 6.7.3 Switching Between Ports

If you are using an AEA PAKRATT program, switching between Radio Ports is described in the program manual. If you are using a terminal program, this section describes how to direct your transmitted text.

Switching between RTTY on Port 1 and Packet on Port 2 is similar to switching between Packet and Packet. If you have not yet read through the Switching Between Radio Ports section of Chapter 4, please do so now and define a CHSWITCH character before reading the example below.

Recall from chapter 4 that the channels on Port 1 are labeled 0-9 and the channels on Port 2 are labeled A-Z. To select Radio Port 1 (RTTY) press the CHSWITCH character you defined, followed by the number 0. To select Radio Port 2 (Packet), press the CHSWITCH character, followed by a letter from A-Z.

For example, you are conversing with an HF RTTY station and are in the middle of a QSO when a station on VHF connects to you. The following shows how your screen would look and suggests how you might handle such an occurrence. The underlined text is the text that you type.

```
x <Enter>
Hello Jim, you are printing solid      { You send the RTTY station
here and have an S7 signal.<CTRL-D>      a signal report }
cmd:
```

```

THANKS BOB, YOU'RE ALSO A SOLID S7      { The other station responds
HERE AS WELL.                             with a signal report }

A:*** CONNECTED to WX7EEE                { WX7EEE connects to you on
                                           VHF (Radio Port 2) }

<CTRL-C>cmd:x <Enter>
Thanks for the signal report Jim          { You make another transmission
only running 100 watts here.<CTRL-D>      to Jim on HF RTTY }
cmd:

Hey Bob, I'm going to the hamfest        { Your friend on VHF packet
this weekend if you want a ride.          wants to go to the hamfest }

k <<Enter>
|AHello Mike, I am on HF RTTY            { You switch to Port 2 by
talking to a station in Boston.          typing |A and respond on VHF }

0:WELL BOB, I HAD BETTER BE GOING TO     { Jim on HF RTTY signs off
BED.  WORK STARTS PRETTY EARLY 73.       with you. }

|0<CTRL-C>0:cmd:x
73 Jim, it was nice meting you.          { You switch back to HF with
WX1AAA de WX7BBB SK <CTRL-D>            the |0 and sign off with Jim }

```

As you may have noticed, communicating with different modes on the two Radio Ports at the same time is almost identical to the method used in chapter 4 for Packet and Packet operation. Let's discuss the sample QSOs above to see how the Port switching occurs.

The first text we see in the sample above is the signal report you are sending to Jim, the HF RTTY station you are communicating with. Notice that you must type an "x" followed by the Enter key on the keyboard to place Radio Port 1 of the PK-900 into RTTY Transmit mode. When you are through sending your signal report to Jim on HF RTTY, you tell the PK-900 to return to receive by sending a <CTRL-D>. The PK-900 then responds with the Command Prompt "cmd:".

The next text you see is your signal report received from Jim on RTTY.

You are in the middle of a QSO with Jim on HF RTTY and all of a sudden your friend WX7EEE connects to you. WX7EEE has connected on Radio Port 2 (VHF) which is shown by the "A:" before the connect message. Remember that the 26 channel designators for Radio Port 2 are A-Z.

Before you respond to WX7EEE on VHF, you send a transmission to Jim on HF RTTY telling him how much power your transmitter is running. In order to do this however you must first enter the command mode of the PK-900 by typing a <CTRL-C> and then giving the RTTY Transmit command "x" followed by the <Enter> key. When you are finished with your text, you command the PK-900 back to receive with a <CTRL-D>.

After making this transmission on HF RTTY, you see WX7EEE on VHF has offered you a ride to the hamfest. We know this text is from Radio Port 2 since the previous packet displayed by the PK-900 was the "A:\*\*\* CONNECTED" message from Port 2.

Now you want to let WX7EEE on VHF know that you are there, but that you are involved in another QSO on HF. This way he will understand that it may take you a little longer to respond to his packets. Before you can send data to Radio Port 2, you must enter Converse Mode with the "k" command and then switch to this Port with "|A" or the text you type will be sent to Radio Port 1 on RTTY the next time you enter the transmit command "x".

You receive a transmission from Jim on HF RTTY telling you he needs to sign off to go to bed. The "0:" in front of the text shows this was received on Radio Port 1.

Now you want to sign off with Jim on HF. Again, first you must switch to Radio Port 1 with the "|0" since your last transmission was directed to Port 2. After this you must enter the command mode of the PK-900 by sending a <CTRL-C> and then place Port 1 into RTTY transmit with the "x" command. Now you can make your final transmission to Jim ending with his callsign followed by your callsign. As before, when you are through typing your text, you send a <CTRL-D> to the PK-900 which returns Radio Port 1 to receive after the text has been sent.

#### 6.7.4 More Thoughts on Port Switching

One problem of having more than one Radio Port is remembering which port you are currently using. In the dual port sample QSOs above, this was not a problem, but after it has been hours or days since you have used your PK-900, you may forget which port you last used.

With AEA Pakratt Software programs, the on-screen status will always show which port you are using so this is not a problem. With other programs, you will have to query the PK-900 with the CSTATUS SHORT command. The CSTATUS command displays the status of the logical channels of Port 1 and Port 2 of the PK-900. The CSTATUS SHORT command displays the status of the active channel and any packet channels that are connected. After completing the sample QSOs above, the PK-900 would display the following.

```
cmd:CSTATUS S
```

```
Ch. A - IO DISCONNECTED
```

This reminds you that Channel A is your current I/O channel. Any text that you type in the Converse mode will be sent to channel A on Radio Port 2. If you had been connected to any other packet stations, the callsign and channel would have also shown in the display.

Sometimes you might not want to be bothered with anything from the Radio Port you are not using. For these times either Radio Port may be turned OFF with the RADIO command. For example, let's say that in the above example QSO you wanted to work HF packet and did not want to be interrupted with any VHF connects. Typing the following command would cause Radio Port 2 to be disabled.

```
cmd:RADIO /0 or RADIO /OFF
Radio was 1/2
Radio now 1/0
```



When a PK-900 Radio Port is disabled, the front panel LCD indicators for that port will be extinguished as a reminder.

The rest of this page is blank.

## CHAPTER 7

### AMTOR AND NAVTEX OPERATION

#### 7.1 Overview

The PK-900 provides AMTOR (AMateur Teletype Over Radio) operation on Radio Port 1 in accordance with FCC Part 97.69 and CCIR Recommendations 476 and 625 for Mode A (ARQ) and Mode B (FEC). AMTOR is an adaptation of the SITOR (ShIp Teletype Over Radio) system used in high-seas telex, which provides error detection and correction.

AMTOR has two basic modes of operation, Mode A (ARQ - Automatic ReQuest for Reception) and Mode B (FEC - Forward Error Correction).

- o ARQ AMTOR is a handshaking protocol that allows only two stations to communicate in a near error free fashion. You will hear a "chirp chirp" sound when you find two stations conversing in ARQ. PACTOR can be distinguished from AMTOR in that it uses a longer (about 1 sec) data burst.
- o FEC AMTOR is similar to Baudot RTTY and is used to call CQ or to carry on "round table" contacts.

NAVTEX (NAVigational TELeX) is a form of FEC AMTOR that is used to send Navigational bulletins and weather information primarily to ships at sea. Recently it has been adopted by the ARRL to send bulletins to amateurs.

#### 7.2 Where to Operate AMTOR

Before you can operate AMTOR, you must first know where the activity occurs. Most AMTOR operation occurs on the 20-meter amateur band between 14.065 and 14.085 MHz. AMTOR activity can be found on the other HF amateur bands as well and is most often located between 65 and 90 kHz up from the bottom of the band as it is on 20 meters.

##### 7.2.1 PK-900 AMTOR Parameter Settings

AMTOR is a bit more complex than Baudot or ASCII operation. AMTOR operating modes require SELCALL (Selective Call) codes be entered before you can operate. There are two SELCALLs you should enter.

##### 7.2.2 Entering Your SElective CALLing Code (MYSELCAL)

This unique character sequence contains four alphabetic characters that are derived from your call sign. The PK-900 automatically does this for you just by entering your amateur callsign into the MYSELCAL command. If you are using an AEA PAKRATT program, follow the instructions in the program manual for entering the command MYSELCAL.

If you are using a terminal, then Type "MYSELCAL" to load your SELCALL into the PK-900 as shown below:

```
cmd:MYSELCAL N7ML
```

The PK-900 will tell you, MYSelcal now NNML

See the MYSELCAL command in the Command Summary if you are interested in more information on the translation process.

Because the same call sign sequences are assigned in ten US districts, it is possible that your SELCALL could be used by another station. If you think a station in another call district is also active on AMTOR and is using the same SELCALL, see the MYSELCAL command for information on how to change your Selcall.

### 7.2.3 Entering Your Selective calling Code (MYIDENT)

At the present time, most of the AMTOR activity on the amateur bands is using the four-character SELCALL defined in CCIR 476 and described above. The seven-character SELCALL (MYIDENT) defined in CCIR 625 solves the problem of non-unique SELCALLs by providing many more possible SELCALLs than CCIR 476 does with only four characters.

To enter your seven-character SELCALL all you must do is enter your amateur callsign. The PK-900 will do the translation for you.

If you are using an AEA PAKRATT program, follow the instructions in the program manual for entering the command MYIDENT.

If you are using a terminal, then enter the following

```
cmd:MYIDENT N7ML
```

The PK-900 will tell you, MYIdent now VTMFFFF

See the MYIDENT command in the Command Summary if you are interested in more information on the translation process.

### 7.2.4 Enter the AMTOR Mode

Now that you have entered your personal MYSELCAL and MYIDENT Selective Calling codes, you are ready to enter the AMTOR mode.

If you are using an AEA PAKRATT program, follow the instructions in the program manual to enter the AMTOR mode.

If you are using a terminal, simply type "AMTOR" or "AM" from the Command Mode followed by the <Enter> key to enter the AMTOR mode. The PK-900 responds by displaying the previous mode:

```
Opmode   was PAcKet  
Opmode   now AMtor
```

Your PK-900's front panel LCD Status display will show that you are in the AMTOR Standby mode on Radio Port 1, and the COMMAND LCD will be lit.

### 7.2.5 HF Receiver Settings

Set your HF receiver (or transceiver) to Lower Sideband (LSB) unless you connected your PK-900 through the direct FSK keying lines.



If the tuning indicator looks like the one below, the frequency from your speaker is too low for the PK-900 to copy the signal. Slowly tune the VFO and make the frequency higher.

MARK | █ █ █ █ █ █ █ | SPACE

Tuning too low for discriminator indicator (BAR 0)

| █ █ █ █ █ █ █ █ █ █ |

Tuning too low for magic eye indicator (BAR 3)

| █ █ |

Tuning too low for center tune indicator (BAR 2)

If the tuning indicator looks like the one below, the frequency from your speaker is too high for the PK-900 to copy the signal. Slowly tune the VFO and make the frequency lower.

MARK | █ █ █ █ █ █ █ █ █ █ | SPACE

Tuning too high for discriminator indicator (BAR 0)

| █ █ █ █ █ █ █ █ █ █ |

Tuning too high for magic eye indicator (BAR 3)

| █ █ |

Tuning too high for center tune indicator (BAR 2)

- o Adjust the PK-900 front panel THRESHOLD control so that the DCD LCD lights when a properly tuned FEC AMTOR station is being received.

After you have an FEC AMTOR station tuned in, you should start seeing the copy on your screen. If you have tuned in "chirping" ARQ AMTOR stations, you will not print anything until you enter the ALIST mode. If you just want to receive, see Chapter 10 on SIGNAL IDENTIFICATION.

### 7.3 Transmitter Adjustments

Make sure your PK-900 is adjusted for your SSB transmitter as described in section 3.5 and 3.5.2 of this manual before transmitting. These are very critical adjustments. If your PK-900's AFSK level and transmitter microphone gain are not adjusted properly, other stations will not be able to copy your signals. Always check your plate current, collector current or power output of your rig before transmitting.

#### 7.3.1 Going On The Air

Make sure your transmitter and antenna are tuned and adjusted for the band and operating frequency you are using. Before you transmit, you must decide if you are going to "call CQ" or answer someone's CQ call.

#### 7.3.2 Calling CQ in FEC AMTOR

If you plan to make a CQ call, you must do so in the FEC AMTOR mode. This is required since an ARQ AMTOR transmission requires another station to "Link-up" with. If you are using an AEA PAKRATT program, see the program manual to place the PK-900 into FEC transmit mode.

If you are using a terminal or terminal program, the following will place your PK-900 and transceiver into the transmit mode.

- o Make sure that you have selected your transmitted text to go to Port 1 by pressing the CHSWITCH character defined in Chapter 4 followed by a number from 0 through 9.
- o Type "FEC" then press the <Enter> key to key your transmitter and automatically enter AMTOR FEC transmit mode.

As soon as you type the <Enter> key you will be transmitting! At this point you are also in the CONVERSE mode and anything you type will be sent in FEC by your transmitter.

- o Type in your CQ message. Make sure you include YOUR Callsign, your four-character Selcall (MYSELCAL) as well as your seven-character Selcall (MYIDENT) so others can respond to your CQ call. An example is shown below:

```
CQ CQ CQ CQ CQ CQ CQ DE N7ML (NNML) (VTMFFFF)
CQ CQ CQ CQ CQ CQ CQ DE N7ML (NNML) (VTMFFFF)
CQ CQ CQ CQ CQ CQ CQ DE N7ML (NNML) (VTMFFFF)
CQ CQ CQ CQ CQ CQ CQ DE N7ML (NNML) (VTMFFFF)
SELCALL NNML (VTMFFFF) K
<CTRL-D>
```

- o Type <CTRL-D> at the end of your CQ call. The <CTRL-D> puts both your radio and the PK-900 into the receive mode.
- o Wait a bit to see if you get a response. If not, you can repeat the above procedure.

### 7.3.3 Answering an FEC AMTOR CQ

Normally when you see a station calling CQ in FEC AMTOR, you will want to answer him using ARQ AMTOR. Remember that ARQ AMTOR is the protocol that reduces the chance of transmission errors.

Let's assume you hear NNML calling CQ. To answer, do the following:

- o If you are using an AEA PAKRATT program, check the program manual for instructions on starting an ARQ AMTOR contact.
- o If you are using a terminal simply type "ARQ NNML<Enter>" to start a CCIR 476 ARQ contact, or "ARQ VTMFFFF<Enter>" to start a CCIR 625 ARQ contact.

After your PK-900 has locked or synchronized with the distant station, you may begin your conversation.

```
N7ML N7ML DE YOURCAL YOURCAL...etc
```

### 7.3.4 ARQ AMTOR Operating Fundamentals

When you finish typing your comments or traffic to the other station and wish the distant station to transmit to you Do Not type "KKK" or anything like that!

- o Do type a plus sign immediately followed by a question mark (+?).

"+?" is a software changeover command that switches your system from being the "Information Sending Station" (ISS) to the "Information Receiving Station" (IRS), and switches the distant system from being the IRS to being the ISS. When your distant partner sees the "+?" he knows he can begin typing comments or traffic.

NOTE: When discussing ARQ operation, we use the terms "Information Sending Station" (ISS) and "Information Receiving Station" (IRS) instead of "transmit" and "receive" since in ARQ, both stations are rapidly switching from transmit to receive.

- o Don't bother with multiple call signs and "over-to-you" routines or "KKK" used in Baudot and ASCII RTTY operation. The system does it all for you when you type the "+?".

The FCC requires station identification once every ten minutes. It's sufficient to begin with "QRA (mycall)" or end your transmission with "QRA (mycall)" before the "+?" changeover code, or use the <CTRL-B> "HERE-IS" to send your own Auto-AnswerBack message.

### 7.3.5 Ending an ARQ AMTOR Contact

When you've finished your "final finals" to the distant station and both stations are ready to end the Mode A (ARQ) contact, you can end the contact and terminate the link in several different ways:

- o Type <CTRL-D> to stop sending when the transmit buffer is empty. <CTRL-D> breaks the link and returns your PK-900 to Command Mode.



- o Type <CTRL-F> to break the link and send your Morse ID.  
Your PK-900 sends your call sign in Morse code, and then shuts off your transmitter.
- o Type <CTRL-C> to return to Command Mode, then type "R" to break the link.

The "R" command breaks the ARQ link immediately and returns your system to AMTOR Standby. This can be used as an "Emergency Shutdown" if you need to take your transmitter off the air, but it does not shut down the other station and should not be used.

### 7.3.6 LCD Status and Mode Indicator

The front panel LCD display provides mode and status information at a glance. This is especially useful in AMTOR operation. The following describe typical Status indications you will see.

Type "ARQ (SELCALL of distant station)." The Status changes to:

```
MODE:      TOR ARQ PHASE
RADIO 1:  TX on
```

This shows that your transmitter is in the SEND condition, in the "phasing" part of an ARQ selective call. Your transmitter will key on and off, sending the distant station's SELCALL. As soon as your PK-900 is synchronized with the distant station, the Status changes to:

```
MODE:      TOR ARQ TFC
RADIO 1s:  TX on
```

Verify the link by typing a few <Enter>s; watch the display. Your traffic will now begin to flow as you type characters. If EAS is set ON, your typed characters are displayed as they are acknowledged by the distant station. The Status will change back and forth from IDLE and TFC whenever your typing pauses.

If errors occur on the link and the distant station sends REQUEST (request for Repeat), the Status will show:

```
MODE:      TOR ARQ ERROR and/or REQUEST
RADIO 1:  TX on
```

```
ERROR:     Your PK-900 has detected errors in the signals
           received from the distant station
```

```
REQUEST:   Your PK-900 has received a "request for repeat"
           code from the distant station
```

If the link fails and you lose synchronization with the distant station your PK-900 automatically tries to re-establish synchronization with the distant station. The Status changes to show:

```
MODE:      AMTOR ARQ PHASE
RADIO 1:  TX on
```

After typing FEC, your PK-900 displays the system status:

```
MODE:      AMTOR FEC IDLE
RADIO 1:   TX on
```

As you send your traffic the Status will change back and forth from IDLE to TFC. Whenever you stop typing, the IDLE status is displayed.

#### 7.4 AMTOR Operating Tips

The following "Special Function Characters" and immediate commands are included for AMTOR operating convenience.

Immediate Commands from the Command Mode:

"ARQ <SELCALL>"	Starts Mode A selective call and forces Converse
"FEC"	Starts Mode B transmission and forces Converse
"SELFEC <SELCALL>"	Starts Selective Mode B transmission
"R"	Stops sending immediately, forces AMTOR Standby
"AM"	Stops transmission, forces AMTOR Standby
"AL"	Forces re-synchronization in ALIST (AMTOR Mode A Listen)
"L"	Forces LETTERS case in receive
"N"	Forces FIGURES case in receive

Special Function Characters embedded in transmitted text:

<CTRL-B>	Sends your AAB string as a HERE-IS message
<CTRL-D>	Stops sending when the transmit buffer is empty
<CTRL-E>	Sends a "Who Are You" request to the other station
<CTRL-F>	Sends call sign in Morse and shuts off transmitter
<CTRL-N>	Sends FIGURES character
<CTRL-O>	Sends LETTERS character
<CTRL-T>	Sends the TIME if the DAYTIME clock has been set

##### 7.4.1 ARQ Break-In (ACHG Command)

In Mode A (ARQ), when you're the "Information Receiving Station," you can use the "ACHG" command to interrupt the distant station's comments.

As the "Information Receiving Station," you normally rely on the distant station to send the "+?" to "change-over" at the end of his comments. ACHG is a command that forces both systems to reverse the "Information Receiving" and "Information Sending" status of the link.

- o Use the ACHG command only when really needed to interrupt the distant station.

##### 7.4.2 Entering Your Auto-AnswerBack (AAB)

AMTOR allows you to request the identity of the station you are conversing with by sending your PK-900 a <CTRL-E>. This causes the PK-900 to send a FIGS-D (WRU) request to the other station. Many remote Bulletin Board Stations rely on the WRU for identification.

For this reason, you should set your own Auto-AnswerBack (AAB) message to "DE YOUR-CALL, MYSELCAL, MYIDENT". Your PK-900 will automatically

send the AAB message when another station requests your identity, and then stop sending.

#### 7.4.3 Operating AMTOR with Other Modem frequencies and Shifts

All Amateur (AMTOR) and commercial (SITOR) stations that we know of use either 170 or 200 Hz shift FSK modems. Modem 2 (default) is therefore the best choice for ARQ or FEC AMTOR use. The PK-900 allows other modems to be used in AMTOR should the need arise. The following other modems may be selected with the MODEM command.

##### Radio Port 1 Modems

MODEM 1	AFSK Modem, 170 Hz shift, M 2125 Hz, S 2295 Hz, 45 bps
MODEM 2	AFSK Modem, 170 Hz shift, M 2125 Hz, S 2295 Hz, 100 bps
MODEM 3	AFSK Modem, 200 Hz shift, M 2110 Hz, S 2310 Hz, 45 bps
MODEM 4	AFSK Modem, 200 Hz shift, M 2110 Hz, S 2310 Hz, 100 bps
MODEM 5	AFSK Modem, 425 Hz shift, M 2125 Hz, S 2550 Hz, 100 bps
MODEM 6	AFSK Modem, 850 Hz shift, M 2125 Hz, S 2975 Hz, 100 bps
MODEM 7	AFSK Modem, 850 Hz shift, M 2125 Hz, S 1275 Hz, 100 bps
MODEM 10	AFSK Modem, 200 Hz shift, M 2110 Hz, S 2310 Hz, 300 bps

#### 7.4.4 Speed Change Not Permitted

In accordance with FCC 97.69 and international regulations, AMTOR is operated at 100 bauds. The PK-900 does not permit other speeds. For that reason, Modems 1 and 3 are not recommended.

#### 7.4.5 Echoing Transmitted Characters As Sent (EAS)

EAS has special significance in ARQ AMTOR. If EAS is ON, you will see characters echoed to your screen only after your partner in the AMTOR link, has validated the previous block. With EAS ON, the characters appear on your screen three at a time.

- o If the data scrolls across your monitor at an even rate, you can assume that you have a good ARQ link.
- o If the data hesitates or scrolls in "jerky" intermittent fashion, that's generally a sign that the radio link is not very good.
- o If the characters stop appearing on your monitor, the link is failing or has failed. The LCD Status display will tell you this by showing ERROR or REQUEST nearly continuously.

#### 7.4.6 Sending Only Complete Words (WORDOUT)

Some AMTOR users like to have their words sent out only when they are complete. This allows the word you are currently typing to be edited as long as you have not typed a <Space> character. Turning WORDOUT ON activates this feature. See the Command Summary for more information.

#### 7.4.7 Operating on the Wrong Sideband

In AMTOR operation it is important to be operating on the correct sideband, otherwise other stations will not be able to copy you. If you find a station operating on the wrong sideband, you can reverse your receive sense with the RXREV command.

Similarly, if someone tells you that you are on the wrong sideband, you can correct your transmit signal sense with the TXREV command. See the Command summary for more information on these commands.

#### 7.5 Monitoring ARQ AMTOR Contacts with ALIST

Use the "ALIST" command to monitor ARQ traffic flowing between two stations linked in an ARQ contact. Your PK-900 will try to synchronize with whichever of the two linked ARQ stations is the Information Sending Station at the moment.

ARQ Listen operation does not give you error detection or error correction; your PK-900 is not one of the two stations locked to each other. If the other two stations are enjoying a good link, you'll probably get good copy from that link.

Your PK-900 will not print a block of data if that block contains the same information as the previous block. If the "ISS" (Information Sending Station) is repeating the same block, you won't print it twice, unless you receive an error. If the stations you're monitoring are sending error and RQ codes and repeating blocks of characters across their link, you may see some repeated character blocks. If they're having link problems, the data on your screen can look very strange indeed, although the two synchronized stations are getting error-free copy.

#### 7.6 AMTOR MailDrop Operation

The PK-900 allows AMTOR as well as Packet access to the MailDrop. Messages that originate in Packet can be accessed remotely in AMTOR and messages that originate from a remote AMTOR station can be accessed by Packet users of your MailDrop. This section of the manual talks about basic AMTOR mailbox operation. Section 7.7 will discuss how to pass message traffic from AMTOR to Packet and vice versa.

Make sure that you understand MailDrop Operation in Chapter 5 and the basic AMTOR operation described earlier in this chapter before putting your AMTOR MailDrop on the air.

##### 7.6.1 Special Operating Considerations

The AMTOR MailDrop has been designed with a "Watchdog" safety feature so that it may perform safely without constant attention. If a remote station is linked with your AMTOR MailDrop and no traffic is passed for 5 minutes, the link will drop and your transmitter will shut off.

At this time however, the legality of unattended operation below 30 MHz is uncertain for US amateurs. US amateurs must be sure to always

have control of their HF transmitters when any automatic device such as the PK-900 MailDrop is in operation.

With this in mind, we have designed the AMTOR MailDrop so that it can be disabled and then re-enabled at any time during an ARQ link simply by turning the command TMAIL (TOR MAIL) OFF. This allows you the SYSOP to make your MailDrop available to other stations and still break in to chat with remote stations at any time. This could come in handy should you want to provide some help or information to a remote station using your AMTOR MailDrop.

#### 7.6.2 Settings For AMTOR MailDrop Operation

Before a remote AMTOR user can access your MailDrop, be certain that MYCALL (on Port 1) is set to your Amateur callsign and MYSELCAL is set to your 4-character AMTOR SelCall. To allow CCIR 625 AMTOR access to your MailDrop, your 7-character MYIDENT must also be entered. Once these commands have been entered, you must then enter the AMTOR mode.

#### 7.6.3 Starting AMTOR MailDrop Operation

Remote access to your AMTOR MailDrop is controlled by the command TMAIL which is short for TOR MAIL. The TMAIL command controls remote access to the AMTOR MailDrop in the same way that the MAILDROP command controls remote Packet access.

Turn the TMAIL command ON (default OFF) to allow remote stations to access your MailDrop in ARQ AMTOR. Turn TMAIL OFF to have normal ARQ QSOs with other stations in the AMTOR mode.

#### 7.6.4 Local Logon to the MailDrop

To locally access your MailDrop use the MDCHECK command as described in chapter 5 of this manual on MailDrop operation.

##### 7.6.4.1 Remote Logon to your AMTOR MailDrop

To the remote user, the AMTOR maildrop user interface is slightly different from the packet interface due to the differences between the two modes.

When CODE is set to 0 and the ITA#2 alphabet is used in AMTOR, only UPPER case characters are sent. If you the SYSOP set CODE to 2 enabling the Cyrillic extensions, both upper and lower case characters can be sent and received. See the CODE command for information and limitations of this feature.

When a station links with your AMTOR MailDrop, your PK-900 first identifies your station by sending your callsign and the amount of free MailDrop memory as shown below:

```
DE WX7AAA (AEA PK-900) 17528 FREE.
```

Since AMTOR transmissions do not self-identify, your MailDrop will force the remote user to identify in one of three possible ways.

The first way is automatic:  
Your MailDrop will send "STAND BY" and then the WRU request to the remote user. Always be sure you have entered a proper Auto-Answerback (AAB) message consisting of "QRA YOURCALL YOUR\_MYSELCAL YOUR\_MYIDENT" as described earlier in this chapter.

The second way covers beginning AMTOR users:  
AMTOR users who have not entered a proper Auto-AnswerBack response or for some reason have the WRU feature disabled cannot be automatically identified by your MailDrop. In this case, your MailDrop will ask the calling station to identify as follows:

After 10 seconds your MailDrop will ask the calling station to identify by sending "QRZ? DE your callsign+?" to the calling station.

The calling station then has 3 minutes to respond with its callsign. The ID must contain either "QRA" or "DE" and must end with "+?".

An Amateur with the call WX7BBB would send the following:

```
QRA WX7BBB +?
```

If no satisfactory ID occurs within 3 minutes from the establishment of the link, the link is automatically shut down.

The third way covers experienced users:  
Experienced AMTOR users may want to save time by simply sending QRA followed by their callsign immediately after establishing the link. For example station WX7BBB may simply enter the following immediately after establishing the ARQ link.

```
QRA WX7BBB +?
```

The PK-900 then sends the user the MTEXT string if the MailDrop message command (MMSG) is ON. The default text is shown below:

```
WELCOME TO MY AEA PK-900 MAILDROP.  
TYPE H FOR HELP.
```

#### 7.6.5 Caller Prompts

The command prompt that the MailDrop sends the remote user in AMTOR is shortened from that used in the Packet mode and is shown below:

```
WX7BBB DE WX7AAA GA+?
```

TM PROMPT is the AMTOR MailDrop message prompt sent to a remote station by your MailDrop. The default prompt is:

```
GA subj/GA msg, '/EX' to end.
```

Text before the first slash is sent to the user as the subject prompt; text after the slash is sent as the message text prompt.

#### 7.6.6 Monitor MailDrop Operation

The local user (SYSOP) can monitor the dialog by setting MDMON ON. The PK-900 stays in command mode during remote MailDrop access.

#### 7.6.7 SYSOP MailDrop Commands

The MailDrop commands that you the SYSOP have access to are the same as those described in Chapter 5 of the manual on MailDrop Operation.

#### 7.6.8 Remote User MailDrop Commands

When a remote user has logged onto your MailDrop the following commands are available to the distant station:

A, B, H, J, K, L, R, S, V, ?.

The remote user may end a command with either +? or a carriage return.

A brief description of each command follows in the next sections. The description is expanded where the command operation differs from the Packet Maildrop section found in Chapter 5.

##### 7.6.8.1 A (ABORT) (Remote only)

The "A" command aborts the listing or reading of messages by the remote calling station as described in chapter 5. The difference in AMTOR is that the remote user must send the ACHG command first to reverse the direction of the link before he can issue the Abort

command.

The remote user also has the ability to abort a command that may have been mis-typed by typing "///" on the same line as the bad command.

##### 7.6.8.2 B (BYE)

The "B" command logs the remote station off the MailDrop. In AMTOR the remote station may simply gracefully shut down the link with the RECEIVE character (<CTRL-D>) or the CWID character (<CTRL-F>).

##### 7.6.8.3 H (HELP)

The "H" command sends the remote station a help list of the available commands shown in Chapter 5.

##### 7.6.8.4 J (JLOG) (Remote only command)

The "J" command sent by the distant station will cause the MailDrop to send the list of stations who have logged in to your AMTOR MailDrop.

##### 7.6.8.5 K n (KILL n [Mine])

The "K n" command deletes message number "n" from the MailDrop as described in Chapter 5.

#### 7.6.8.6 L (LIST [Mine])

The "L" command shows the remote user only a list of the messages he or she may read as described in Chapter 5.

#### 7.6.8.7 R n (READ n [Mine])

The "R n" command lets the remote user read any of the message numbers displayed in the LIST command. The command operates as described in Chapter 5 except that the column headers are not displayed.

#### 7.6.8.8 S callsign (SEND callsign)

Due to the nature of AMTOR, character errors may occur at any time, so extra safeguards are built into the system. In AMTOR, the MailDrop echoes the actual SEND command, then asks for confirmation by sending "CFM YES/NO+?". If the remote user's reply is "N", the MailDrop cancels the SEND command and gives the "GA" command prompt instead. If the reply is "Y", the message can then be sent as shown below.

In the SEND command, the words "AT," "FROM" and "BID" must be used in place of the "@," "<" and "\$" signs used in packet. Hierarchical addresses are also supported in AMTOR mode, but not forwarding. You the SYSOP may edit any message so it can be forwarded in Packet mode.

Since <CTRL-Z> is not available in the AMTOR character set, the "/EX" command or "+?" must be used to end all AMTOR MailDrop messages. After the "/EX" or "+?" has been detected, the MailDrop will confirm that the message has been sent by returning the message "FILED MSG n" to the remote user. An example of sending a message is shown below:

```
WX7BBB DE WX7AAA GA+?           {MailDrop prompt}
s wx2zzz at wx2yyy+?           {User's SEND command}

S WX2ZZZ AT WX2YYY             {MailDrop echoes SEND command
18340 FREE.  CFM YES/NO +?     and awaits confirmation}
y +?                           {User confirms}

GA SUBJ+?                       {MailDrop Subject prompt}
Going to the Hamfest? +?      {User enters Subject}
GA MSG, '/EX' TO END.+?       {MailDrop Send prompt}
I haven't heard from you and wondered if      {Message text}
you are going to the Hamfest next month?      {Message text}
Hope to see you there. 73      {Message text}
/ex +?                           {User ends message}

WX7BBB DE WX7AAA FILED MSG 1 GA+?           {MailDrop prompt}
```

### 7.7 Simultaneous AMTOR and Packet Operation

Your PK-900 can operate AMTOR on Radio Port 1 and HF or VHF Packet on Radio Port 2 at the same time. With this feature you won't miss any local Packet activity while operating AMTOR.

Before the second radio port can be used for packet operation, a modem must be selected for the second port. Use the MODem



command to select either or both modems, for example, MOD 1/4. For Radio Port 2, the command would be MOD /4 to select modem 4.

The Radio Port two modems are:

```
MODEM 1  AFSK Modem, 200  Hz shift, Mark=1270 Hz, Space=1070 Hz
MODEM 2  AFSK Modem, 200  Hz shift, Mark=2225 Hz, Space=2025 Hz
MODEM 3  AFSK Modem, 1000 Hz shift, Mark=1200 Hz, Space=2200 Hz
MODEM 4  AFSK Modem, 1000 Hz shift, Mark=1200 Hz, Space=2200 Hz eq
MODEM 5  AFSK Modem, 200  Hz shift, Mark=980  Hz, Space=1180 Hz
MODEM 6  AFSK Modem, 200  Hz shift, Mark=1650 Hz, Space=1850 Hz
MODEM 7  AFSK Modem, 800  Hz shift, Mark=1300 Hz, Space=2100 Hz
MODEM 8  AFSK Modem, 800  Hz shift, Mark=1300 Hz, Space=2100 Hz eq
MODEM 9  AFSK Modem, Direct FSK 9600 baud internal option.
MODEM 10 External option, user installed.
```

### 7.7.1 Selecting Modems

The various modems available in the PK-900 can be seen with the DIRECT(ory) command. To display all the available modems simply enter the Command Mode of the PK-900 and then type DIR as shown.

```
DIR <Enter>
```

The PK-900 will respond with the following:

```
      - Port 1 -                               - Port 2 -
1: FSK 45 bps 170: 2125/2295                   1: Internal 200: 1070/1270
2: FSK 100 bps 170: 2125/2295                  2: Internal 200: 2025/2225
3: FSK 45 bps 200: 2110/2310                   3: Internal 1000: 1200/2200
4: FSK 100 bps 200: 2110/2310                  4: Internal 1000: 1200/2200 eq.
5: FSK 100 bps 425: 2125/2550                  5: Internal 200: 1180/980
6: FSK 100 bps 850: 2125/2975                  6: Internal 200: 1850/1650
7: FSK 100 bps 850: 1275/2125                  7: Internal 800: 2100/1300
8: Analog 900/2500                             8: Internal 800: 2100/1300 eq.
9: FSK 2400 bps 800: 1300/2100                 9: Internal option
10: FSK 300 bps 200: 2110/2310                 10: Modem disconnect header
11: FSK 1200 bps 1000: 1200/2200
12: Morse 750
cmd:
```

Any modem from the list may be loaded with the MODEM command, but only the 100 baud modems listed will operate in AMTOR. For example, to operate AMTOR on radio port 1 and 1200 bps VHF packet on radio port 2 you must select modems for radio ports 1 and 2. First, enter the Command Mode of the PK-900 and then type MODEM 2/4 as shown below:

```
MODEM 2/4 <Enter>
```

The PK-900 will respond with the following:

```
MODem was  x/x (The previous modems)
MODem now  2/4
```

### 7.7.2 Displaying Received Data

The Radio command may be used to disable port 2. This may be desirable when operating RTTY and you do not want to be disturbed with any packet signals that may be received on radio port 2. To disable port 2, enter:

```
RADIO ON/OFF <Enter> or RADIO 1/0 <Enter>
```

For dual port operation, type

```
RADIO ON/ON <Enter> or RADIO 1/2 <Enter>
```

The PK-900 sorts and displays received data from each Radio Port using the same technique as multi-connect packet operation described in Chapter 4. That is, when operating on one port and the other port becomes active, the displayed data from the inactive port is shown prefaced by the "channel designator" followed by a colon (:). Recall that Radio Port 1 is designated by "logical" channels from 0-9 and that Port 2 is designated by "logical" channels A-Z.

### 7.7.3 Switching Between Ports

If you are using an AEA PAKRATT program, switching between Radio Ports is described in the program manual. If you are using a terminal program, this section describes how to direct your transmitted text.

Switching between AMTOR on Port 1 and Packet on Port 2 is similar to switching between Packet and Packet. If you have not yet read through the Switching Between Radio Ports section of Chapter 4, please do so now and define a CHSWITCH character before reading the example below.

Recall from chapter 4 that the channels on Port 1 are labeled 0-9 and the channels on Port 2 are labeled A-Z. To select Radio Port 1 (AMTOR) press the CHSWITCH character you defined, followed by the number 0. To select Radio Port 2 (Packet), press the CHSWITCH character, followed by a letter from A-Z.

For example, you are conversing with an AMTOR station and are in the middle of a QSO when a station on VHF connects to you. The following shows how your screen would look and suggests how you might handle such an occurrence. The underlined text is the text that you type.

```
Hello Jim, you are printing solid      { You send the AMTOR station
here and have an S7 signal.+?          a signal report }

THANKS BOB, YOUR ALSO A SOLID S7      { The other station responds
HERE AS WELL.+?                       with a signal report }

A:*** CONNECTED to WX7EEE             { WX7EEE connects to you on
                                        VHF (Radio Port 2) }

Thanks for the signal report Jim      { You make another transmission
only running 100 watts here.+?        to Jim on HF AMTOR }
```

```

Hey Bob, I'm going to the hamfest      { Your friend on VHF packet
this weekend if you want a ride.        wants to go to the hamfest }

|AHello Mike, I am on HF AMTOR         { You switch to Port 2 by
talking to a station in Boston.        typing |A to answer on VHF }

0:WELL BOB, I HAD BETTER BE GOING TO   { Jim on HF AMTOR signs off
BED.  WORK STARTS PRETTY EARLY 73.+?   with you }

|073 Jim, it was nice meting you.      { You switch back to HF with
WX1AAA de WX7BBB SK <CTRL-D>          |0 and sign off with Jim }

```

As you may have noticed, communicating with different modes on the two Radio Ports at the same time is almost identical to the method used in chapter 4 for Packet and Packet operation. Let's discuss the sample QSOs above to see how the Port switching occurs.

The first text we see in the sample above is the signal report you are sending to Jim, the HF AMTOR station you are communicating with. This example assumes you have already set up the ARQ AMTOR contact with the ARQ command discussed earlier in the chapter. When you are through sending your signal report to Jim on AMTOR, you turn the link over to become the IRS by sending the "+?". The PK-900 then responds by sending a blank line to the display to break up the received text.

The next text you see is your signal report received from Jim on AMTOR.

You are in the middle of a QSO with Jim on AMTOR and all of a sudden your friend WX7EEE connects to you. WX7EEE has connected on Radio Port 2 (VHF) which is shown by the "A:" before the connect message. Remember that the 26 channel designators for Radio Port 2 are A-Z.

Before you respond to WX7EEE on VHF, you send a transmission to Jim on AMTOR telling him how much power your transmitter is running. When you are finished with your text, you again command the PK-900 to be the IRS by sending a "+?".

After making this transmission on AMTOR, you see WX7EEE on VHF has offered you a ride to the hamfest. We know this text is from Radio Port 2 since the previous packet displayed by the PK-900 was the "A:\*\*\* CONNECTED" message from Port 2.

Now you want to let WX7EEE on VHF know that you are there, but that you are involved in another QSO on HF. This way he will understand that it may take you a little longer to respond to his packets. Before you can send data to Radio Port 2, you must switch to this Port with "|A" or the text you type will be sent to Radio Port 1 on AMTOR when Jim turns the link over to you again.

You receive a transmission from Jim on AMTOR telling you he needs to sign off to go to bed. The "0:" in front of the text shows this was received on Radio Port 1.

Now you want to sign off with Jim on HF. Again, first you must switch to Radio Port 1 with the "|0" since your last transmission was directed to Port 2. Now you can make your final transmission to Jim

ending with his callsign followed by your callsign. This time when you are through typing your text, you send a <CTRL-D> to the PK-900 which breaks the ARQ link and returns Radio Port 1 to AMTOR Standby after the text has been sent.

#### 7.7.4 More Thoughts on Port Switching

One problem of having more than one Radio Port is remembering which port you are currently using. In the dual port sample QSOs above, this was not a problem, but after it has been hours or days since you have used your PK-900, you may forget which port you last used.

With AEA Pakratt Software programs, the on-screen status will always show which port you are using so this is not a problem. With other programs, you will have to query the PK-900 with the CSTATUS SHORT command. The CSTATUS command displays the status of the logical channels of Port 1 and Port 2 of the PK-900. The CSTATUS SHORT command displays the status of the active channel and any packet channels that are connected. After completing the sample QSOs above, the PK-900 would display the following.

```
cmd:CSTATUS S
Ch. A - IO DISCONNECTED
```

This reminds you that Channel A is your current I/O channel. Any text that you type in the Converse mode will be sent to channel A on Radio Port 2. If you had been connected to any other packet stations, the callsign and channel would have also shown in the display.

Sometimes you might not want to be bothered with anything from the Radio Port you are not using. For these times either Radio Port may be turned OFF with the RADIO command. For example, let's say that in the above example QSO you wanted to work HF packet and did not want to be interrupted with any VHF connects. Typing the following command would cause Radio Port 2 to be disabled.

```
cmd:RADIO /0
Radio was 1/2
Radio now 1/0
```

When a PK-900 Radio Port is disabled, the front panel LCD Status indicator for that port will be extinguished as a reminder.

#### 7.7.5 Dual Port AMTOR/Packet Maildrop Operation

Your PK-900 MailDrop will operate both on Packet and AMTOR and can be used to allow message traffic that originates on AMTOR to be reverse-forwarded into the Packet network. Similarly, traffic originating on Packet may be picked up by remote stations on AMTOR.

Before you begin dual port Packet/AMTOR MailDrop operation, be sure that you are familiar with the operation of Packet, AMTOR and the MailDrop as described in Chapters 4, 5 and 7 of this manual. Also be sure that appropriate modems are selected. Any experience you have with each of these modes will help when setting up a dual port MailDrop system.

#### 7.7.5.1 Packet MailDrop Command Settings

First set up the packet side of the MailDrop (on Radio Port 2) by setting MYCALL and MYMAIL. You may also want to enter a custom MTEXT to let others know about the AMTOR feature. Be sure to set 3RDPARTY, MDMON, MDPROMPT, and MMSG, as desired. If you will be reverse forwarding to a full-service BBS, you must set HOMEBBS to the callsign of that BBS. Do not forget to turn MAILDROP ON. As a test you should connect to your own maildrop via a digipeater or network node to make sure the radio link is working properly and the user prompts are what you desire.

#### 7.7.5.2 AMTOR MailDrop Command Settings

Once the Packet side is working properly, the AMTOR side of things on Radio Port 1 must be configured. First be sure that MYSELCAL and MYIDENT are entered properly. You may want to customize the AMTOR MailDrop prompt (TMPROMPT) or compose a message to ALL that tells remote users about your system. Finally, remember to turn TMAIL ON and enter the AMTOR mode of the PK-900 to start the AMTOR MailDrop.

#### 7.7.5.3 Dual Port MailDrop Operation Notes

With the above parameters set, packet connections to the MYMAIL callsign on Radio Port 2 will be sent to your MailDrop if you or a remote AMTOR station is not using it. If you or any other station is using your MailDrop, the remote user attempting the packet connection will be sent a "\*\*\*\* Busy" message.

Similarly, a remote AMTOR station linking to you will be given access to your MailDrop provided no one else is using it. If you or a remote packet station is using your MailDrop, the AMTOR station may link to you, but will not be given access to your MailDrop. For this reason, you may wish to disable Radio Port 1 (by turning the RADIO parameter to 0/2) when logging into your own MailDrop for maintenance. This will prevent remote AMTOR stations from linking with you.

If you will be Reverse Forwarding messages into the Packet network, be sure to check your MailDrop often for new messages. Remember that you must use the Edit command in the MailDrop to select which messages will be Reverse Forwarded.

Note: At this time unattended operation below 30 MHz is not legal for US amateurs unless they hold a Special Temporary Authorization (STA) from the FCC. US amateurs must be sure to have control of their HF transmitters when any device such as the PK-900 AMTOR/Packet MailDrop is in operation.

### 7.8 AMTOR Switching-Time Considerations

For operation in AMTOR Mode A (ARQ), your transceiver or transmitter-receiver combination must be able to change between transmit and receive within 20 milliseconds. Most semiconductor-based radios can easily meet this specification. Many older tube-type radios that use electromechanical relays also operate very well in AMTOR Mode A (ARQ).

If the changeover from transmit to receive is too long, the minimum working distance is extended; the signal to the distant station will arrive before the station has switched back to receive. However, if the transmitting station is further away, the transmission time over the propagation path will delay the arrival of the signal until after the station has switched to receive. For this reason, you may be able to "Link with" stations across the country, but not across town.

If the receiving station's changeover from transmit to receive is too slow, the transmitting station delay between "PTT" and "data send" can be extended. See the ADELAY command in the Command Summary to adjust the PK-900's AMTOR timing characteristics to compensate for this.

#### 7.8.1 Suggested AMTOR Operating Settings

If you have trouble synchronizing with another AMTOR ARQ station, try some of the following operating tips before calling AEA or deciding that your radio equipment needs modifications:

- o Try to work the distant station on Mode B (FEC) to establish that the other station's system is fully functional.
- o Don't use VOX control - use the PTT line from your interface.
- o Turn off the AGC circuit - use the RF gain control to prevent receiver blocking on stronger signals.
- o Turn off all compression or other audio processing.
- o Keep the AFSK audio input level to the microphone circuit as low as possible - avoid over-driving the audio input stages.
- o Disable the ALC circuit or reduce excessive ALC action; use more effective RF antenna loading to adjust output power levels.

#### 7.8.2 Possible Areas for AMTOR Performance Improvement

If switching-time problems persist, you may have to make changes in the radio to eliminate excessive time delays:

- o Remove large decoupling capacitors from the Push-To-Talk line to allow faster PTT (transmitter) activation;
- o Improve power supply decoupling, especially in audio stages.
- o Do not use squelch.

In case you can't solve your radio's switching-time problems, please call AEA Technical Support Department (see the front of this manual).

## 7.9 NAVTEX Operation

NAVTEX is an international system which stands for NAVIGATIONAL TELEX. It is a direct printing service designed to distribute navigational and meteorological warnings and other urgent information to ships. To enter the NAVTEX mode, simply type "NAVTEX" at the command prompt.

The ARRL has also adopted this format for transmitting bulletins. In amateur radio this same format is starting to be referred to as AMTEX. AMTEX transmissions can be found on ARRL bulletin frequencies.

NAVTEX is broadcast in Mode-B AMTOR (SITOR) on a frequency of 518 kHz. NAVTEX may be selectively monitored, so you will see only information of interest and never see the same message twice. It is this unique feature of NAVTEX that the PK-900 uses with the NAVSTN and NAVMSG commands to allow the user to monitor only messages of importance.

NAVTEX/AMTEX messages are prefaced by the characters "ZCZC" and then a four character Preamble as diagramed below.

```
ZCZC AA99
      |||
      |||+-Serial Number 2nd Digit--+
      ||+--Serial Number 1st Digit--+
      |+---Message Classification (A to Z)
      +----NAVTEX Station Identification (A to Z)
```

The first character of the Preamble is a letter that identifies the NAVTEX transmitter. Transmitter Identification letters can be any of the characters A through Z. This limits the number of NAVTEX stations in an area to 26. The NAVSTN Command can be used to selectively monitor or reject certain NAVTEX transmitters.

The second character of the Preamble is the Message Classification. The NAVMSG command is used to selectively monitor or reject any of the NAVTEX message classes shown below:

- A. Navigational Warnings
- B. Meteorological Warnings (Storm Warnings)
- C. Ice Reports
- D. Search and Rescue Information
- E. Weather Forecasts
- F. Pilot Service Messages
- G. DECCA System Information
- H. LORAN-C System Information
- I. Omega Systems Messages
- J. SATNAV System Messages
- K-Z. Reserved for future use

The exception to this is that message classes A, B and D CANNOT be excluded and will always be copied if the transmitting station is enabled by NAVSTN.

The last two numbers form a serial number from 00 through 99 that is different for each message. The PK-900 remembers the Preamble of the 200 most recent messages and will not re-print a message that has the same preamble if it has already been received without many errors.

The rest of this page is blank.



## CHAPTER 8

### MORSE OPERATION

#### 8.1 Overview

The PK-900 will both send and receive International Morse Code. The computer based Morse operator can use the PK-900 to send "perfect" code at much higher speeds than are typical of hand sent code.

As a rule, no machine can receive Morse as well as the FSK modes. Your PK-900 is no exception. A strong signal and a good "fist" are both required for the PK-900 to do a reasonable job of copying Morse code. Don't expect your PK-900 to do miracles and produce good copy from bad fists!

#### 8.2 Where to Operate Morse

Before you can operate Morse, you must first know where the activity occurs. Morse operation is permitted on any amateur frequency, but most often occurs in the lower 100 to 250 kHz of each band.

##### 8.2.1 Entering the Morse Mode

If you are using an AEA PAKRATT program, follow the instructions in the program manual to enter the Morse mode.

If you are using a terminal, simply type "MORSE" or "MO" from the Command Mode followed by the <Enter> key to enter the Morse mode on Radio Port 1. Packet operation on port 2 is disabled when in the Morse mode. The PK-900 responds by displaying the previous mode:

```
Opmode   was PAcKet
Opmode   now MORse
```

##### 8.2.2 HF Receiver Settings

Set your HF receiver (or transceiver) to the CW mode. Adjust the volume to a comfortable listening level. Be certain that any IF-Shift and Passband Tuning controls are centered or set to the OFF position.

##### 8.2.3 Tuning in Morse Stations

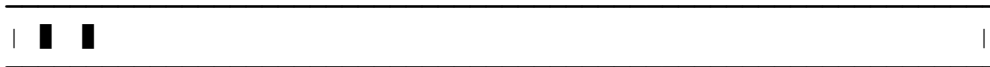
Tuning in Morse stations properly is critical to successful operation. Follow the procedure below for the best results in tuning in Morse stations.

- o Make certain your HF receiver is in the CW mode.
- o Turn any IF-Shift and Passband-Tuning controls to the Center or OFF position.
- o Tune your receiver carefully in the lower portion of your favorite amateur band and look for Morse signals.

- o When you find a station, slowly vary the VFO on your receiver and look for a display on the PK-900 tuning indicator as shown below when the station is "keyed down".



When the station is not "keyed down" or there is no station on frequency, the tuning indicator should look like the one below.



Frequency quiet

- o Adjust the receiver volume so that the DCD LCD lights when a properly tuned Morse station is being received.

When a Morse station is tuned in, you should see the copy on your screen. The PK-900 will track the speed of the received signal.

### 8.3 Going On The Air

Make sure that you have connected the PK-900 to your transmitter for direct CW keying as discussed in Section 3.3.6 of this manual. Although the PK-900 is capable of Morse transmission using Audio Keying in the SSB mode of a transmitter, direct CW keying is preferred. Most modern transmitters and transceivers are designed for direct CW keying and often allow additional filtering to be switched in for improved Morse reception when operating in this mode.

Adjust your transmitter for Morse operation as described in your transmitter's manual. Make sure your antenna is tuned and adjusted for the band and operating frequency you are using.

If you are using a terminal or terminal program, the following will place your PK-900 and transceiver into the transmit mode.

- o Make sure that you have selected your transmitted text to go to Port 1 by pressing the CHSWITCH character defined in Chapter 4 followed by a number from 0 through 9.
- o Type "X" for XMIT and then press the <Enter> key to key your transmitter and automatically enter the Converse mode.

As soon as you type the <Enter> key your transmitter PTT will be activated. At this point you are also in the CONVERSE mode and anything you type will be sent in Morse by your transmitter.

When you are finished transmitting, use one of the following methods to return to receive.

- o Type <CTRL-D> to shut off your transmitter and return to the Command Mode.
- o Type <CTRL-C> to return to the Command Mode and then type "R" to shut down your transmitter and end the contact.

See the following sections for some Morse operating hints.

### 8.3.1 A Typical Morse Contact

As with most amateur operating modes, you can start a contact either by "calling CQ" or by answering a "CQ" call by another station. To call CQ first you must tell your PK-900 to start sending.

- o Make sure that you have selected your transmitted text to go to Port 1 by pressing the CHSWITCH character defined in Chapter 4 followed by the number 0.
- o Type "X" to key your transmitter and start the unit sending.
- o Type in your CQ message (use YOUR callsign) such as the one below:

```
CQ CQ CQ CQ CQ CQ DE YOURCAL YOURCAL YOURCAL
CQ CQ CQ CQ CQ CQ DE YOURCAL YOURCAL YOURCAL
CQ CQ CQ CQ CQ CQ DE YOURCAL YOURCAL YOURCAL K <CTRL-D>
```

- o Type <CTRL-D> at the end of your CQ call. The <CTRL-D> puts both your radio and the PK-900 into the receive mode after all the text you have entered into the Transmit Buffer has been sent.
- o Wait a bit to see if you get a response. If not, you can repeat the above procedure.

### 8.4 Morse Operating Tips

The following "Special Function Characters" and immediate commands are included for Morse operating convenience.

Immediate Commands from the Command Mode:

"L"	Locks system to the speed of the incoming signal.
"R"	Switches system to receive mode, unlocks receive speed, forces receive speed to equal transmit speed
"X"	Switches system to transmit mode and forces immediate entry into Converse mode.
"K"	Loads the Transmit type ahead buffer
"MO"	Unlocks the Morse receive speed.

Special Function Characters embedded in transmitted text:

<CTRL-D>	Shuts off the transmitter and returns the PK-900 to the Command Mode after sending the contents of the transmit buffer.
<CTRL-T>	Sends the TIME if the DAYTIME clock has been set.

#### 8.4.1 The PK-900 Morse Modem

The PK-900 uses a special modem (MODEM 12) for Morse (CW) operation. This modem has a center frequency of 750 Hz. A 750 Hz tone is also generated when Morse is transmitted and may be fed to a voice grade transmitter for Tone modulated CW operation. This is not the way most HF transceivers should be used, but VHF FM transceivers can use this for transmitting code practice sessions.

#### 8.4.2 Speed Change (MSPEED)

Use the MSPEED command to change Morse keying speed.

Type "MSPEED" followed by one or two digits from "5" to "99" and a <Enter>. The PK-900 responds with the previous Morse speed.

```
MSpeed    was 20
MSpeed    now xx (whatever new speed digits you typed)
```

The number you enter becomes the new transmit speed and replaces the value used previously. The slowest Morse speed is 5 words per minute.

#### 8.4.3 Echoing Transmitted Characters As Sent (EAS)

Since Morse can be rather slow, some users like to know just when the characters are actually being sent. The EAS command when turned ON will Echo characters to the display only when they are transmitted.

#### 8.4.4 Sending Only Complete Words (WORDOUT)

Some Morse users like to have their words sent out only when they are complete. This allows the word you are currently typing to be edited as long as you have not typed a <Space> character. Turning WORDOUT ON activates this feature. See the Command Summary for more information.

#### 8.4.5 Speed Lock (LOCK)

The LOCK command locks the system to the speed of the received signal. This can help the reception of Morse code in the presence of noise.

To unlock the Morse speed and allow the PK-900 to track the received signal, type "R" or "MO" followed by an <Enter>.

## 8.5 Special Morse Characters

The PK-900's Morse program contains special keystrokes which you can use to make transmission easier, faster and more enjoyable. The most frequently used Morse "prosigns" are coded into the keyboard with keys that have no direct representation in standard Morse. These special "reserved" keys are listed below:

Morse	Keystroke	Abbreviation	Meaning
...--	* or <	SK	End of QSO
.-...	&	AS	Wait
.-.-.	+	AR	End of message
-.-.-	(	KN	Go only
-...-	=	BT	Break or pause
-.-.-	> or %	KA	Attention
...-.	!	SN	Understand
.-.-	[	AA	New line
---.	\	o	Umlaut O
..--	^	u	Umlaut U
.-.-.-	]	a	Swedish A
..-..	@	e	Swedish E

## 8.6 Morse Code Practice

Use your computer with your PK-900 to develop and improve your manual CW sending and receiving skills.

Set your PK-900 for Morse receive operation on Radio Port 1 and operate the hand key attached to your radio transceiver. In most installations your hand keying will be sent to the PK-900 and displayed on your monitor if your radio has an audio "input monitor" or "sidetone" output and you've turned on those monitor functions. The frequency of the monitor sidetone must be nearly 750 Hz or the PK-900 will not be able to copy it.

Send test words to familiarize yourself with the relationship between your hand-keying and the Morse appearing on your screen.

Practice keying at various speeds; observe how the system decodes your "fist". You may be a bit unhappy or surprised at the quality of your keying but after a few sessions you'll notice an improvement.

The rest of this page is blank.

## CHAPTER 9

### FACSIMILE AND SSTV OPERATION

#### 9.1 Overview

While facsimile and SSTV are not digital modes, the personal computer coupled with a high resolution monitor makes an excellent display for these images. The PK-900 contains modems that can receive FM facsimile signals as well amateur Slow Scan Television (SSTV).

The PK-900 filters and digitizes the received audio signal for processing by software running on your personal computer. Therefore this chapter only provides an overview of FAX and SSTV operation. The program used to display FAX and SSTV should provide operating instructions and detailed information about the modes it supports.

Note: The Analog mode is intended to replace the old black & white FAX mode originally developed for the PK-232. As of October 1992, there is no display software yet available for SSTV. Gray scale FAX is supported by the AEA FAX program.

The black & white FAX mode is retained only to support the PK-FAX and MACRATT with FAX programs while new display software is developed.

##### 9.1.1 Facsimile

Facsimile is the term used to describe the transmission of black & white images. There are several different Facsimile standards in use. Over the telephone, either "Group-2" or "Group-3" transmission standards are used. Sending facsimile by radio has some special problems so different and incompatible transmission methods are used.

There are two basic types of facsimile signals transmitted over radio. Frequency Modulated (FM) facsimile is often found in the HF Short Wave bands, while an Amplitude Modulated (AM) system is used by satellites in the VHF and Microwave bands.

Weather Facsimile (FM WEFAX) is transmitted throughout the Short-Wave spectrum, primarily to provide information to ships at sea. Typical stations you may find broadcast maps with weather conditions and satellite photographs showing cloud cover over a large area. Not only weather information is transmitted, but also news photographs from the wire services (see the frequency list below).

With FM facsimile, the picture information is modulated in an audio tone between 1,500 Hz (Black) and 2,300 Hz (White). In between these two frequencies are shades of gray. The PK-900's analog modem receives these signals and provides an output on pin 6 of the serial connector when Modem 8 is selected.

The PK-900 does not have a demodulator capable of receiving the satellite amplitude modulated (AM) mode, however an AM to FM converter is available from:

Overview Systems                      or call: Tim Heffield, N4IFP  
P.O. Box 130014                              305 748-8315  
Sunrise FL 33313

### 9.1.2 Slow Scan Television

Amateur Slow Scan Television (SSTV) originated in 1953 and is presently found primarily in the 20 meter amateur band. Over the years SSTV has evolved a great deal and many different formats now exist for both black & white as well as color image transmission.

SSTV uses a Frequency Modulation scheme similar to FM facsimile where the video information is usually transmitted by an audio tone between 1,500 Hz and 2,300 Hz. In SSTV however additional synchronizing information is often necessary and is typically sent with tones between 1,100 and 1,500 Hz. For this reason SSTV requires a different modem than is used in FM Facsimile. Modem 8, the analog modem may also be used for SSTV with your computer program.

### 9.2 Finding FAX Frequencies

The following is a list of HF FM facsimile frequencies that seem to broadcast on a regular schedule. A few of these stations transmit 24-hours/day. We suggest you try the weather FAX frequencies listed below while you are becoming familiar with facsimile operation. After displaying a few images, and you are accustomed to the sound of facsimile you will be able to tune the bands in search of other frequencies where perhaps different kinds of pictures may be found.

Weather: USB    3,357.0 kHz    4,268.0 kHz    4,975.0 kHz    6,946.0 kHz  
                  10,865.0 kHz    12,125.0 kHz    20,015.0 kHz

Photographs:    LSB                    10,680.7 kHz    17,673.9 kHz    18,434.9 kHz

The following HF facsimile frequencies were obtained from Popular Communications Magazine:

#### USB

4,271.0 kHz	9,890.0 kHz	13,510.0 kHz		Halifax, Canada
8,502.0 kHz	12,750.0 kHz			Boston, Mass
9,389.5 kHz	11,035.0 kHz			Brentwood, NY
4,793.5 kHz	10,185.0 kHz	12,201.0 kHz	14,671.5 kHz	Washington, DC
9,157.5 kHz	17,447.5 kHz			Mobile, Al
8,080.0 kHz	10,854.0 kHz	16,410.0 kHz		Norfolk, VA
4,802.5 kHz	9,440.0 kHz	13,862.5 kHz		Hawaii
7,770.0 kHz	11,090.0 kHz	13,627.5 kHz		Hawaii
8,459.0 kHz				Alaska
4,346.0 kHz	8,682.0 kHz	12,730.0 kHz	17,151.2 kHz	San Francisco
8,646.0 kHz	17,410.5 kHz			San Diego

#### VHF and Microwave APT Facsimile Satellite Frequencies

1691.0 MHz        GOES Geosynchronous Weather Satellite (USA)  
1694.5 MHz        METEOSAT Geosynchronous Weather Satellite (ESA)

136.0-138.0 MHz        Orbiting WEFAX APT Weather Satellites

Table 1: Facsimile Frequencies



### 9.2.1 Finding SSTV Frequencies

In the US, SSTV is presently most popular on the 20 meter HF amateur band. Most evenings an active group of SSTV enthusiasts can be found on 14.230 and 14.233 MHz. This is a good place to start looking for signals. Once you recognize the different sounds of common SSTV signals, you may find activity on other frequencies and bands especially as propagation changes.

### 9.3 FAX and SSTV Analog Signal Operation

To accommodate the characteristics of gray-scale FAX and SSTV analog signals, the PK-900 uses a special Analog mode. Software programs to display images should automatically set the PK-900 Analog parameters so most users need not concern themselves with the following information. If you are curious how the PK-900 works in this mode, or are interested in writing your own display software, this information may be helpful.

Note: The Analog mode requires special display software that has been written for each family of personal computer be used. Software is necessary in order to handle the gray scale FAX and SSTV images. This software is not provided with the PK-900 because the unit operates with many different types of computers. Without display software, the Analog mode should not be used.

The Analog mode is designed to pass data for communications methods that require "gray scales" or color such as FAX and SSTV. In HF FAX and SSTV signals, the information is contained in an audio signal that varies from 1,500-2,300 Hz for FAX and 1,100-2,300 Hz for SSTV.

The analog modem is designed to bandpass filter the analog signal. The filtered signal is then passed to a limiter - zero crossing detector. The detected signal is further filtered to reduce noise then digitized. This signal is converted to RS-232 levels and switched to pin 6 of the DB-25 serial connector. This pin is used for data only when modem 8 is selected.

## 9.4 Black & White FAX Operation

This mode of black & white FAX operation will eventually be deleted from the PK-900 since the Analog mode has been created. Still, if you own an older AEA PAKRATT WITH FAX program, you should have the ability to display weather FAX on the screen of your PC. If you are using an AEA PAKRATT WITH FAX program, follow the program manual instructions to run the program with the PK-900.

To hook-up the PK-900 for facsimile operation the radio must be connected to Radio Port 1. If all you want is to receive FAX, you only need to connect the audio from your receiver. If you wish to transmit as well, follow the instructions in Chapter 3 of this manual for complete Radio Connections.

NOTE: Facsimile transmissions contain such a large amount of data that the PK-900 can not support Packet operation on Radio Port 2 while in the Facsimile mode.

### 9.4.1 HF Receiver Settings

Set your HF receiver (or transceiver) to upper Sideband (USB) and disable any IF-Shift or Passband-tuning controls. Adjust the volume to a comfortable listening level.

### 9.4.2 Tuning In HF Facsimile Stations

Facsimile is most often found on Upper Sideband and sounds similar to monitoring an AMTOR QSO with both stations being of equal strength. The most common facsimile signals are WEFAX, so we have set the PK-900 FAX default parameters to copy weather charts and many satellite photographs. We recommend starting with one of the listed weather frequencies, or frequencies from Popular Communications in Table 1 when first receiving facsimile.

Upon tuning into a WEFAX signal, you will notice that the facsimile sound seems to repeat at the rate of twice a second. This is the horizontal scan frequency, and allows you to distinguish different facsimile services by speed. Common horizontal scan rates are 2 lines per second, which is typically used in weather facsimile broadcasts, 1 line per second for photographs, and 4 lines per second for some foreign facsimile stations. Listen for these repetition rates as you tune across the bands in search of new pictures.

The PK-900 uses a center frequency of 1.9 kHz for copying facsimile transmissions. As a result, you must tune 1.9 kHz lower than the frequencies listed in Table 1 when using Upper Sideband. Similarly, in Lower Sideband, one must tune 1.9 kHz higher than the frequencies listed in the table.

The PK-900 LCD bar-graph should be tuned so that the facsimile signal is roughly centered in the display as shown in Figure 1a below. If the audio frequency is too low, the bar-graph will look something like Figure 1b. If the audio frequency is too high, it will look something like Figure 1c. Facsimile tuning is not especially critical when copying WEFAX, but a properly tuned signal is needed when displaying facsimile photographs.



Figure 1a. Properly Tuned



Figure 1b. Frequency too low



Figure 1c. Frequency too high

Figure 1: Facsimile tuning indicator conditions for FAX tuning

### 9.4.3 PK-900 Facsimile Parameter Settings

To start receiving WEFAX broadcasts on your computer screen, follow the setup instructions in your PAKRATT WITH FAX program manual.

Now all that is necessary is to put the PK-900 into FAX mode by typing FAX. The PK-900 will respond with:

```
Opmode now FAX
```

### 9.5 Receiving Facsimile Broadcasts

The PK-900 is now in the Facsimile Standby-Receive mode which means it is waiting for a synchronization signal from a facsimile transmitter to begin a new picture. Verify this by entering the OPMODE command. The PK-900 should respond with:

```
Opmode FAX STBY RCVE
```

At this point make sure the receiver volume is high enough so that the DCD LCD lights, otherwise nothing will be displayed. If you do not want to wait for the beginning of a new picture, you may type

```
Lock
```

This forces a synchronization-lock, and starts the FAX displaying regardless of what kind of signal is being monitored. Since this synchronization lock was not sent by the transmitting station, the picture will probably not be correctly positioned on the page. Rather, it will likely appear to be split in half with the left half of the picture on the right half of the page, and the right half of the picture on the left half of the page.

To correct for this, a justification command has been included that allows the user to shift the entire image to the left in 1/2 inch increments. For example if the left-edge of the picture appears roughly 4-1/2 inches away from the left edge of the paper, issuing the command JUSTIFY 9 will shift the left edge of the picture to the left 4-1/2 inches (9 X 0.5 inch) correcting its justification.

The PK-900 will respond with:

```
JUstify now 9
```

This procedure will not be necessary if the PK-900 synchronizes from the transmitted facsimile signal. This procedure is also not necessary if you are using an AEA PAKRATT with FAX program. AEA programs allow the image to be justified after it has been received.

To stop the display, you may either exit the facsimile mode by changing to another mode or enter the RCVE command, which puts the PK-900 back into facsimile standby receive. Standby receive is the same as if you have just entered the FAX mode from another mode. The PK-900 will wait until it receives the synchronization signal from a facsimile station before beginning to display again.

## 9.6 Facsimile Operating Tips

If you are using an AEA PAKRATT WITH FAX program, consult the program manual for more information and helpful hints.

### 9.6.1 Setting PRTYPE

Before FAX can be sent to your compute, you must choose the correct "printer" type with the PRTYPE Command. AEA programs do this for you automatically. The PK-900 defaults to the Epson format. See the PRTYPE command in the Command Summary for the other types supported.

### 9.6.2 Printing Direction (LEFTRITE)

Weather FAX as well as most other facsimile displays from left to right, but occasionally you may find a station that is reversed. If you come across such a transmission, you may simply issue the command LEFTRITE OFF to correct this. The PK-900 will respond with:

```
LEftrite now OFF
```

### 9.6.3 Inverting Black and White (FAXNEG)

You may occasionally come across a station that appears to be inverted; that is displaying black where you expect white, and leaving white where you expect black. In this case you may issue the command FAXNEG ON. The PK-900 will respond with:

```
FAXNeg now ON
```

What was before displaying black will now be white, and vice versa.

### 9.6.4 Display Density (GRAPHICS)

How the graphics will look on your display depends on the setting of the GRAPHICS command. There are 7 graphics commands providing horizontal dot densities from 480 dots to 1,920 dots horizontally across a page. The default setting is 960. See the GRAPHICS command description in the Command Summary for a complete description of this command.

## 9.7 Displaying Other Services

Most of the weather services in the US use a facsimile scan speed of 2 lines per second, which corresponds to FSPEED 2 (Default). Facsimile photographs often use 1 line per second, which is FSPEED 1. Some foreign services use speeds of 4 lines per second, which is FSPEED 4. Speeds of 1.5 and 3 lines per second are also supported. See the command summary for more information on FSPEED.

When different horizontal scan speeds are used, the number of lines per vertical inch can also vary. If nothing is done to change the number of lines displayed, the pictures may appear squashed or elongated. The ASPECT command resolves this by allowing from one to six lines to be displayed out for every six lines received. The default setting is ASPECT 2 which means that 2 out of 6, or 1 out of every 3 horizontal lines is displayed. This is the most common setting you will use for WEFAX, but other services may require using other values to display pictures without aspect ratio distortions.

### 9.7.1 The PK-900 FAX Modem

The PK-900 uses a special modem (MODEM 8) for HF WEFAX operation. This modem has a bandwidth of 800 Hz and a center frequency of 1900 Hz.

## 9.8 Transmitting FAX

The PK-900 does support FAX transmission, but attempting to do this without an AEA's PC-PAKRATT II WITH FAX program is difficult. We recommend you consider this program if FAX transmission is desired.

## 9.9 Adjusting the PK-900 4.0 MHz Oscillator

Note: The following only applies to the black & white FAX mode of the PK-900 and does not apply to the Analog mode.

If you ever observe the received FAX from a Commercial station does not display straight up and down the page, your 4.00 MHz oscillator inside the PK-900 has probably drifted off frequency. If you have a frequency counter with a high-impedance input, you may do the following:

Step 1: Open the PK-900 by removing the 4 screws that hold the gray top chassis in place and separate it from the bottom chassis.

Step 2: Reconnect the PK-900 to +13 VDC, then turn it on, and allow it to warm-up for 30 minutes.

Step 3: With the help of Figure 2 below, locate the variable capacitor C112 in the left-front quadrant of the PK-900 circuit board. It is located near the U43 and Y3.

Step 4: Place the probe of the frequency counter on pin-16 of IC U35, the Z8536 which will provide a strong square-wave clock signal.

Step 5: Adjust C112 until the counter reads 4.00000 MHz +/- 10 Hz.

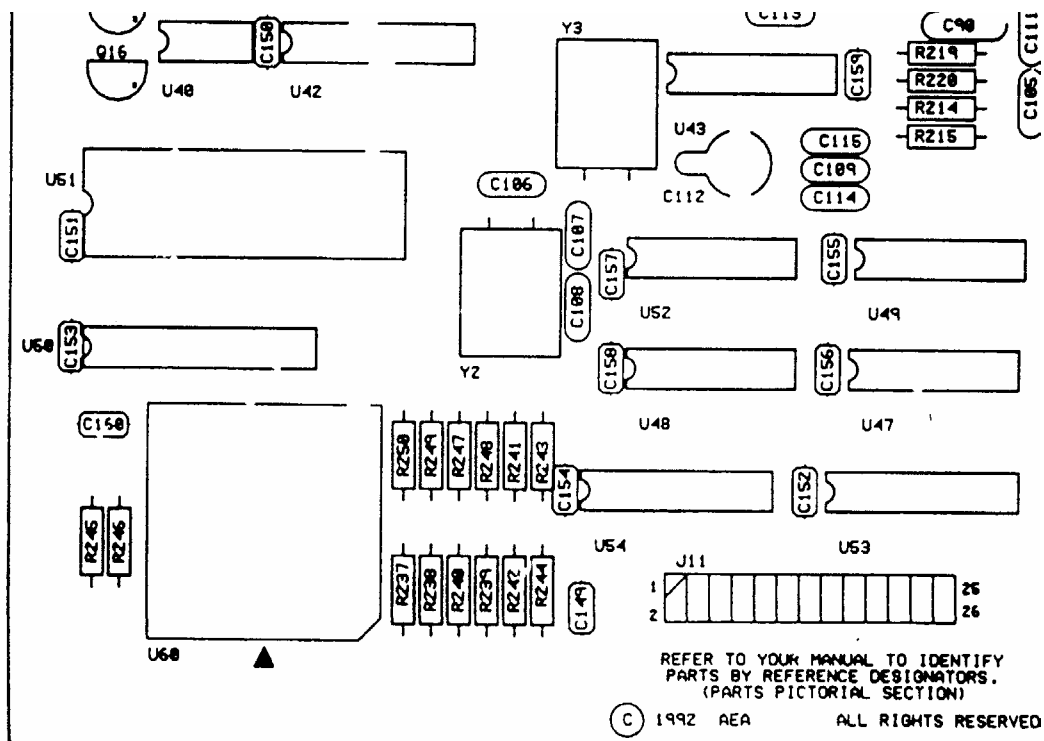


Figure 2: PK-900 circuit board layout showing the location of C112

## CHAPTER 10

### SIGNAL IDENTIFICATION AND TDM OPERATION

#### 10.1 Overview

As you tune across the High-Frequency bands these days you find an ever increasing number of digital signals. These signals range from the simple Murray Baudot code to ASCII and even packetized data. With the large number of speeds, formats and shifts now in use, it is difficult to determine what kind of signal you are listening to. Even with a knowledge of digital communications, it is still time-consuming to set the communication parameters correctly.

SIAM stands for Signal Identification and Acquisition Mode, and allows a wide variety of digital signals to be automatically analyzed so they can be easily copied with the PK-900. SIAM will "listen" to a signal for a few seconds and then display the type of signal and its speed to the user. The user can then decide whether or not to copy the signal, or simply go on to the next signal.

SIAM makes the PK-900 more useful to the radio amateur and the Short-Wave Listener. Whether tuning across 20 meters, or searching the Short-Wave bands, when you find a signal SIAM will help you decide what it is, and tune it in without time-consuming trial and error.

NOTE: Outside the Amateur bands, many of the RTTY signals employ sophisticated encryption schemes and are not copyable by the PK-900.

#### 10.2 SIAM Operation

Before entering the Signal Identification mode, set the default modem (Q SIGNAL) to the number you wish to use from the list below.

1: RTTY/TOR 170: 2125/2295, 45 bps	2: RTTY/TOR 170: 2125/2295, 100 bps
3: RTTY/TOR 200: 2110/2310, 45 bps	4: RTTY/TOR 200: 2110/2310, 100 bps
5: RTTY/TOR 425: 2125/2550, 100 bps	6: RTTY/TOR 850: 2125/2975, 100 bps
7: RTTY/TOR 850: 2125/1275, 100 bps	

If you are using an AEA PAKRATT program, follow the instructions in the program manual to enter the Signal mode.

If you are using a terminal, simply type "SIGNAL" or "SI" from the Command Mode followed by the <Enter> key to enter the SIAM mode on Radio Port 1. The PK-900 responds by displaying the previous mode:

```
Opmode   was XXXXX
Opmode   now Signal
```

Now you are ready to tune in an unknown FSK signal.





If the tuning indicator looks like the one below, the frequency from your speaker is too low for the PK-900 to copy the signal. Slowly tune the VFO and make the frequency higher.

MARK | █ █ █ █ █ █ █ █ | SPACE

Tuning too low for discriminator indicator (BAR 0)

| █ █ █ █ █ █ █ █ █ █ |

Tuning too low for magic eye indicator (BAR 3)

| █ █ |

Tuning too low for center tune indicator (BAR 2)

If the tuning indicator looks like the one below, the frequency from your speaker is too high for the PK-900 to copy the signal. Slowly tune the VFO and make the frequency lower.

MARK | █ █ █ █ █ █ █ █ █ █ | SPACE

Tuning too high for discriminator indicator (BAR 0)

| █ █ █ █ █ █ █ █ █ █ |

Tuning too high for magic eye indicator (BAR 3)

| █ █ |

Tuning too high for center tune indicator (BAR 2)

- o Adjust the front panel THRESHOLD control so that the DCD LCD lights when a properly tuned RTTY station is being received.

HINT: If you adjust the volume control so the DCD LCD goes out when no station is being received, you will prevent garbage characters generated by noise from printing on your screen.

### 10.3 Using the SIAM Mode

After tuning in a signal as described above, make sure the THRESHOLD is adjusted so the DCD LCD is lit. Then after about 10 seconds the PK-900 should respond with a baud rate indication and confidence factor similar to the one shown below.

```
0.47:    50  Baud,
```

After another 15 seconds or so, the PK-900 should respond with one of the following signal classes and tell whether or not the signal is reversed by giving the status of the command RXREV:

```
ASCII AMTOR ALIST Baudot Unknown noise 6-bit TDM
```

The complete information from the PK-900 signal analysis will look something like the following:

```
0.47    50  Baud,  Baudot,    RXREV  OFF
```

This means that the PK-900 has found the signal to be a 50-Baud Baudot signal that is not inverted (since RXREV is OFF). The 0.47 means that the PK-900 is 47% sure that the baud rate is correct.

SIAM can identify and copy ASCII, ARQ and FEC AMTOR, Baudot and TDM signals. To begin printing one of these signals, all that must be done is to type the command OK after the analysis has been completed. You should immediately begin to see text appear on your screen.

If the PK-900 determined the signal to be Unknown, 6-bit or noise which it cannot decode, typing OK will cause the response:

```
?bad
```

The SIGNAL routine will run repeatedly until the operating mode is changed either by typing OK, or forcing a change to another mode. If you tune to a different signal during an analysis, simply type SIGNAL again to restart the analysis routine.

#### 10.3.1 Copying Encoded RTTY Transmissions

In the Short Wave bands many RTTY stations do not transmit in plain text. Most of these stations are using sophisticated encryption techniques that make receiving them almost impossible. There are a few stations that use a relatively simple bit-inversion technique. For these stations, the PK-900 has included the BITINV command.

If the text is not plain, but appears to be encoded, you can try different settings of BITINV. BITINV will Exclusive-OR a number from \$00 to \$1F with the received character of a Baudot signal thus inverting specific bits. By varying BITINV from 0 through 31, you will test all the different inversion possibilities that may encode a Baudot signal. If only simple bit-inversion is being used, one of the BITINV settings should cause the transmission to become readable. If none of the 32 possibilities reveal plain text, then the transmitting station is likely using a more sophisticated technique. Computer programmers may be interested in the 5BIT and 6BIT commands.

### 10.3.2 The CODE command for International RTTY Compatibility

The CODE command allows the PK-900 to receive (and sometimes send) other RTTY character sets. Look up the CODE command in the Command Summary Appendix for information on some of the other character sets you may encounter on the HF bands.

## 10.4 TDM Receive Operation

The SIAM mode described above will recognize and decode TDM signals for receive only. The TDM receive mode can be entered directly simply by typing TDM at the PK-900 command prompt.

TDM is an immediate command that places the PK-900 in the TDM receive mode. TDM stands for Time Division Multiplexing, also known as Moore code and is the implementation of CCIR Recommendation 342. The following describes the TDM mode and commands in detail.

### 10.4.1 TDM Parameters

If you are using an AEA PAKRATT program, follow the instructions in the program manual to enter the TDM mode.

If you are using a terminal, simply type "TDM" from the Command Mode followed by the <Enter> key to enter the TDM mode. The PK-900 responds by displaying the previous mode:

```
Opmode   was PAcKet
Opmode   now TDm
```

### 10.4.2 Monitoring TDM Signals

The TDM command forces bit phasing; do this when changing frequency to another TDM signal. This is also useful when the PK-900 synchronizes on the wrong bit in the character stream, which is likely on a signal which is idling. TDM stations idle MOST of the time, so you may have to leave the PK-900 monitoring for an hour or two before any data is received.

TDM signals allow multiple data streams to share the same RF channel. The PK-900 can receive either 1, 2 or 4 channel TDM signals. When monitoring 2 or 4 channel TDM, the TDCHAN command allows you to select which channels will be displayed. The TDCHAN command takes an argument from 0 to 3 to allow any one of the four channels of a 4-channel TDM station to be monitored.

TDM signals operate at different data rates. The TDBAUD command allows any data rate from 0 to 200 baud to be selected, but only the values in the following list are valid.

```
1-channel: 48, 72, 96
2-channel: 86, 96, 100
4-channel: 171, 192, 200
```

### 10.4.3 Where to Find TDM Signals

We have heard TDM signals on the following frequencies which should be used as a starting point when looking for TDM signals.

9.125.9	LSB	11.246.5	USB	12.061.7	USB	14.623.3	USB
14.956.7	USB	18.983.6	USB	19.101.9	LSB	19.647.4	LSB

The above signals were using several different shifts.

## CHAPTER 11

### FACTOR OPERATION

#### 11.1 Overview

FACTOR is a relatively new amateur data communications mode. It was developed in Germany by Hans-Peter Helfert, DL6MAA and Ulrich Strate, DF4KV. FACTOR combines some of the best features of both AMTOR and packet as well as providing a few new features. FACTOR operates at 100 bps or 200 bps depending on radio conditions. FACTOR also contains a 16 bit CRC to provide near error-free operation and can also selectively use a data compression scheme (Huffman encoding) to increase the throughput when transmitting text. FACTOR uses an 8-bit word, allowing the use of the full ASCII character set. You should use both upper and lower case in your FACTOR transmissions.

When data blocks are repeated in the case of an error, the receiving unit can often combine the information in the repeated blocks to provide a good block without the need of receiving a perfect block. This scheme is called memory ARQ.

Like AMTOR and packet, FACTOR has two basic modes of operation, an ARQ mode (Automatic ReQuest for reception) and a non-linked mode used for CQ calls and roundtable operation.

- o ARQ FACTOR is a handshaking protocol that allows two stations to communicate in a near error-free fashion. A FACTOR ARQ exchange consists of a 0.96 second burst of data from the information sending station followed by a short burst from the data receiving station that is an acknowledge (ACK) or non-acknowledge (NAK). The NAK is sent by the receiving station when the CRC data test indicates an error in the data block. Like packet, FACTOR is mark-space polarity independent, although for different reasons. The FACTOR protocol alternates the data polarity with every transmission to reduce the effects of interference on the received signal.
- o The unproto(col) mode of operation is a non-linked type of operation. It is used for roundtable operation or for calling CQ. The unproto mode repeats the data blocks a selectable number of times and can use either 100 or 200 bps. It also uses the CRC error check.

#### 11.2 Where to Operate FACTOR

Before you can operate FACTOR, you must first know where the activity occurs. Most FACTOR operation occurs on the 20-meter amateur band between 14.065 and 14.085 MHz. FACTOR activity can be found on the other HF amateur bands as well and is most often located between 65 and 90 kHz up from the bottom of the band as it is on 20 meters. On 80 meters, most FACTOR will be found between 3660 and 3690 KHz. FACTOR is not sensitive to the sideband used, but we recommend using LSB as in RTTY and AMTOR operating modes.

### 11.3 PK-900 PACTOR Parameter Settings

PACTOR is a bit more complex than Baudot or ASCII operation. PACTOR operation requires you to have MYPTCALL or MYCALL entered before you can operate. If you do not enter MYPTCALL, the call in MYCALL will be used as the default callsign. PACTOR stations can't use the SubStation IDentification number (SSID) in MYCALL.

#### 11.3.1 Entering Your Callsign (MYPTCALL)

If you have not already done so, enter your call for radio port 1 after the command prompt (cmd:) using the MYPTCALL command. For example, if your call is WX5FAP, you would type:

```
cmd:MYPTCALL WX5FAP <Enter>
```

The PK-900 will respond with:

```
MYPTCALL was PK900
MYPTCALL now WX5FAP
```

If you have not entered your call with the MYPTCALL command, the PK-900 will default to the call in MYCALL. MYCALL does not allow punctuation other than the dash and SSID. MYPTCALL does allow punctuation in the call. This allows you to properly identify when operating portable, e.g. ZL/K6RFK.

If you do not enter a call using MYPTCALL or MYCALL, the PK-900 will not allow transmission as the default call PK900 is not a valid call. The error message "Need MYCALL" will be displayed if transmission is attempted.

#### 11.3.2 Enter the PACTOR Mode

If you are using the AEA PAKRATT for WINDOWS program, follow the instructions in the program manual to enter the PACTOR mode. The current AEA PAKRATT for DOS does not support PACTOR except in the dumb terminal mode. AEA will have PC PAKRATT for DOS with PACTOR available in later in 1993.

If you are using a terminal or a computer with a terminal emulation program, simply type "PACTOR" or "PT" from the Command Mode followed by the <Enter> key to enter the PACTOR mode. The PK-900 responds by displaying the previous mode, for example packet:

```
Opmode was PAcKet
Opmode now PACTOr
```

Your PK-900's front panel LCD status display will show that you are in the PACTOR Standby mode on RADIO port 1, and the COMMAND LCD will be lit.



If the tuning indicator looks like the one below, the frequency from your speaker is too low for the PK-900 to copy the signal. Slowly tune the VFO and make the frequency higher.

MARK | █ █ █ █ █ █ █ █ | SPACE

Tuning too low for discriminator indicator (BAR 0)

| █ █ █ █ █ █ █ █ █ █ |

Tuning too low for magic eye indicator (BAR 3)

| █ █ |

Tuning too low for center tune indicator (BAR 2)

If the tuning indicator looks like the one below, the frequency from your speaker is too high for the PK-900 to copy the signal. Slowly tune the VFO and make the frequency lower.

MARK | █ █ █ █ █ █ █ █ █ █ | SPACE

Tuning too high for discriminator indicator (BAR 0)

| █ █ █ █ █ █ █ █ █ █ |

Tuning too high for magic eye indicator (BAR 3)

| █ █ |

Tuning too high for center tune indicator (BAR 2)

- o Adjust the PK-900 front panel THRESHOLD control so that the port 1 DCD LCD lights when a properly tuned PACTOR station is being received.

After you have a PACTOR station tuned in, you should start seeing the copy on your screen.



## 11.6 Operating on PACTOR

Make sure your PK-900 is adjusted for your SSB transmitter as described in section 3.5 and 3.5.2 of this manual before transmitting. These are very critical adjustments. If your PK-900's AFSK level and transmitter microphone gain are not adjusted properly, other stations will not be able to copy your signals. Check your plate or collector current or the power output of your rig before transmitting.

### 11.6.1 Going On The Air

Make sure your transmitter and antenna are tuned and adjusted for the band and operating frequency you are using. Before you transmit, you must decide if you are going to "call CQ" or answer someone's CQ call.

### 11.6.2 Calling CQ in Unproto PACTOR

If you plan to call CQ, you must do so in the unproto PACTOR mode.

This is required since an ARQ PACTOR transmission requires another station to "link" with. If you are using the AEA PAKRATT for WINDOWS program, see the program manual to place the PK-900 into unproto transmit.

If you are using a terminal or terminal emulation program, the following will place your PK-900 and transceiver into the Unprotocol transmit mode.

- o Make sure that your transmitted text will go to Port 1 by pressing the CHSWITCH character defined in Chapter 4 followed by the number 0.
- o Type "PTSEND" then press the <Enter> key to key your transmitter and automatically enter PACTOR unproto transmit mode.

As soon as you type the <Enter> key you will be transmitting! At this point you are also in the CONVERSE mode and anything you type will be sent in unproto PACTOR by your transmitter.

- o Type in your CQ message. Make sure you include YOUR Callsign. An example is shown below:

```
CQ CQ CQ CQ CQ CQ CQ DE N7ML
CQ CQ CQ CQ CQ CQ CQ DE N7ML
CQ CQ CQ CQ CQ CQ CQ DE N7ML
CQ CQ CQ CQ CQ CQ CQ DE N7ML K
<CTRL-D>
```

- o Type <CTRL-D> at the end of your CQ call (Hold the "CTRL" key down while typing the D). The <CTRL-D> puts both your radio into the receive mode and your PK-900 into the PACTOR standby mode where it is ready for an ARQ call.

PACTOR standby is different than the PACTOR listen mode. In PACTOR standby, your PK-900 is ready to receive ARQ PACTOR connects, but you will not be able to monitor other stations.

- o Wait a bit to see if you get a response. Your transmitter will begin to key on and off and you will see a CONNECTED message when someone calls you in ARQ PACTOR. If you do not get a response, you can repeat the above procedure or you can go look for other PACTOR stations as described in the next section.

### 11.6.3 Answering an Unproto PACTOR CQ

You must be in the PACTOR Listen (PTL) mode to monitor other PACTOR stations. When you are in the PACTOR Listen mode, you can monitor both the 1 second "chirps" of connected PACTOR stations, and the continuous transmissions of unprotocol PACTOR stations calling CQ.

Normally when you see a station calling CQ in unproto PACTOR, you will want to answer him using ARQ PACTOR. Remember that ARQ PACTOR is the protocol that has the smallest chance of transmission errors.

Let's assume you hear N7ML calling CQ. To answer, do the following:

- o If you are using an AEA PAKRATT for WINDOWS program, check the program manual for instructions on starting an ARQ PACTOR contact.
- o If you are using a terminal or terminal emulation program, simply type "PTC N7ML<Enter>" to start a linked or connected PACTOR contact. After your PK-900 has locked or synchronized with the distant station, which will be indicated by the LCD display changing from PHASING to IDLE, you will see a CONNECTED message on your screen. You may then begin your conversation.

N7ML DE YOURCALL...etc

- o When you finish typing your comments or traffic to the other station and wish to let the distant station transmit, you will need to type "KKK" or "BTU" to let the other station know that you are going to change the link direction.
- o Then, type a <CTRL-Z> (Hold the "CTRL" key down while typing the Z) to turn the link over to the other station.

<CTRL-Z> is the character defined by the PTOVER command that switches your system from being the Information Sending Station (ISS) to the Information Receiving Station (IRS) and switches the distant system from being the information receiving station to the information sending station.

The FCC requires station identification once every ten minutes. It's sufficient to begin with "QRA (mycall)" or end your transmission with "QRA (mycall)" before the <CTRL-Z> changeover code, or use the <CTRL-B> "HERE-IS" to send your own Auto-AnswerBack message. For the "HERE-IS" command to function, you must have your AAB text entered. See appendix A for the AAB command.

### 11.6.3.1 Ending an ARQ PACTOR Contact

When you've finished your "final finals" to the distant station and both stations are ready to end the PACTOR ARQ contact, you can end the contact and terminate the link in several different ways:

- o Type <CTRL-D> to stop sending after the transmit buffer is empty. <CTRL-D> breaks the link and returns your PK-900 to Command Mode in PACTOR Standby. This is the best way to end a PACTOR contact.
- o Type <CTRL-F> to stop sending after the transmit buffer is empty, send your Morse ID and return to PACTOR Standby and Command Mode.

Your PK-900 sends your call sign (in MYCALL) in Morse code, and then shuts off your transmitter and returns to PACTOR Standby and Command Mode. This is the best way to end a contact if you want to identify your station in Morse code as well.

- o Wait until all the text has been sent, then type <CTRL-C> to return to Command Mode, then type "R" to break the link. The PK-900 will go into the PACTOR Standby mode.
- o Type <CTRL-C> to return to Command Mode, then type "R <Enter> R <Enter>" to break the link immediately! If there are characters left in the transmit buffer, they will not be sent. This method should only be used for an emergency shutdown as it does not send the control signal to the other station that informs it you are shutting down. As a result, the other station will continue to send until its internal timer turns it off.

### 11.6.4 Long Path Contacts

If the station you wish to contact is more than half way around the world, i.e. a long path station, a special connect command is used to lengthen the PACTOR timing. In this case, precede the station's call with the exclamation point:

```
PTCONN !N7ML <Enter>
```

If your station doesn't link within a period of time determined by the ARQ TMO command (default 60 seconds), your station will stop transmitting.

### 11.6.5 LCD Status and Mode Indicator

The front panel LCD display provides mode and status information at a glance. This is especially useful in PACTOR operation. The following describes typical status indications you will see.

Type "PTCONN (CALLSIGN of distant station)." The status changes to:

LCD: PACTOR ARQ PHASE, TX and CONNECT

This shows that your transmitter is in the SEND condition, in the "connect" part of an ARQ connect call. Your transmitter will key on and off sending the distant station's connect request.

As soon as your PK-900 is synchronized with the distant station, the status changes to:

LCD: PACTOR ARQ TFC, TX and CONNECTED

Verify the link by typing <Enter> a few times and watch the display. Your traffic will now begin to flow as you type characters. If EAS (Echo As Sent) is set ON, your typed characters are displayed as they are sent. The status will change back and forth from IDLE and TRAFFIC whenever your typing pauses and resumes.

When errors occur on the link and the distant station sends REQUEST (request for repeat), the status will show:

LCD: PACTOR ARQ ERROR and/or REQUEST, TX and CONNECTED

ERROR: Your PK-900 has detected errors in the signals received from the distant station.

REQUEST: Your PK-900 has received a "request for repeat" code from the distant station.

If the link fails and you lose synchronization with the distant station the PK-900 goes to standby and the status shows:

LCD: PACTOR, STANDBY

For the unproto mode:

After typing "PTSEND", to start an unproto transmission, your PK-900 displays the system status:

LCD: PACTOR FEC IDLE, TX

As you send your traffic the status will change back and forth from IDLE to TRAFFIC. Whenever you stop typing, the IDLE status is displayed.

## 11.7 PACTOR Operating Tips

The following "Special Function Characters" and immediate commands are included for PACTOR operating convenience.

Immediate Commands from the Command Mode:

"PT"	Selects the PACTOR mode
"PACTO"	Selects the PACTOR mode as above
"PTCONN <CALL>"	Starts a linked connect and forces Converse
"PTSEND"	Starts an unproto transmission and forces Converse
"R"	Stops sending immediately, forces PACTOR Standby
"PTLIST"	Allows reception of both unproto and linked transmissions
"PTHUFF <ON OFF>"	Off - prevents Huffman compression On - allows automatic use of compression
"PT200 <ON OFF>"	Off - prevents 200 baud operation On - allows automatic speed selection
"PTOVER <\$HH>"	Used to select the changeover character Defaults to <CTRL-Z> (\$1A)

Special Function Characters embedded in transmitted text:

<CTRL-B>	Sends your AAB string as a HERE-IS message
<CTRL-D>	Stops sending after the transmit buffer is empty
<CTRL-E>	Sends a "Who Are You" request to the other station
<CTRL-F>	Same as <CTRL-D> but sends your callsign in Morse
<CTRL-T>	Sends the TIME if the DAYTIME clock has been set
<CTRL-Z>	Changes your PK-900 from send (ISS) to receive (IRS)

### 11.7.1 ARQ Break-In (ACHG Command)

In the linked or connected mode, (ARQ), when you're the "Information Receiving Station," you can use the "ACHG" command to interrupt the distant station's comments.

As the "Information Receiving Station," you normally rely on the distant station to send the <CTRL-Z> to "change-over" at the end of his comments. ACHG is a command that forces both systems to reverse the "Information Receiving" and "Information Sending" status of the link.

- o Use the ACHG command only when really needed to interrupt the distant station.

### 11.7.2 Entering Your Auto-AnswerBack (AAB)

AEA PACTOR allows you to request the identity of the station you are conversing with by sending your PK-900 a <CTRL-E>. This causes the PK-900 to send an inquiry (WRU) request to the other station.

For this reason, you should set your own Auto-AnswerBack (AAB) message to "DE YOUR-CALL". Your PK-900 will automatically send the AAB message when another station requests your identity, and then stop sending.

### 11.7.3 Operating PACTOR with Other Modem frequencies and Shifts

All PACTOR operation uses 200 Hz shift FSK modems. Modem 4 (default) is therefore the best choice for ARQ or unproto PACTOR use. The PK-900 allows other modems to be used in PACTOR should the need arise. The following other modems may be selected with the MODEM command.

#### Radio Port 1 Modems

- 1: FSK 45 bps 170: 2125/2295 (not recommended)
- 2: FSK 100 bps 170: 2125/2295
- 3: FSK 45 bps 200: 2110/2310 (not recommended)
- 4: FSK 100 bps 200: 2110/2310 (default modem RECOMMENDED)
- 5: FSK 100 bps 425: 2125/2550
- 6: FSK 100 bps 850: 2125/2975
- 7: FSK 100 bps 850: 1275/2125
- 9: FSK 2400 bps 800: 1300/2100
- 10: FSK 300 bps 200: 2110/2310
- 11: FSK 1200 bps 1000: 1200/2200

### 11.7.4 Automatic Speed Change

If the command PT200 is set on, the linked PACTOR mode will automatically change the transmitted data rate from 100 bps to 200 bps if a certain number of error-free 100 bps packets are received in a row. If the error rate at 200 bps is excessive, the data rate will automatically revert to 100 bps. There may be some propagation conditions that will cause the system to vacillate between the two data rates. This may be prevented by setting PT200 to OFF, which will force 100 bps operation. See the UCMD command to control these thresholds.

### 11.7.5 Echoing Transmitted Characters As Sent (EAS)

EAS (Echo As Sent) operates the same as in ARQ AMTOR. If EAS is on, you will see characters echoed to your screen only the first time your PK-900 sends them. If the data is not acknowledged by the receiving station and is re-transmitted, the characters are not echoed again. With EAS OFF, characters are echoed to your screen as you type them. With EAS ON:

- o If the data scrolls across your monitor at an even rate, you can assume that you have a good ARQ link.
- o If the data hesitates or scrolls in "jerky" intermittent fashion, that's generally a sign that the radio link is not very good.
- o If the characters stop appearing on your monitor, the link is failing or has failed. The Status display will tell you this by showing ERROR or REQUEST nearly continuously.

### 11.7.6 Sending Only Complete Words (WORDOUT)

Some PACTOR users like to have their words sent out only when they are complete. This allows the word you are currently typing to be edited as long as you have not typed a <Space> character or punctuation. Turning WORDOUT ON activates this feature. See the Command Summary for more information.

### 11.7.7 Operating on the "Wrong Sideband"

PACTOR, like packet is mark-space polarity insensitive. Once linked the PACTOR protocol alternates the data polarity every transmission. A specific header synchronizes the system during non-linked operation. For this reason, there is no "wrong" sideband. You may operate on either LSB or USB. If you are going to change to other modes, for example Baudot, then LSB must be used. It is suggested that LSB be used to make mode changes simple as well as keeping the radio dial frequency reading consistent with other users.

If you are using a radio that has direct FSK inputs, keep in mind that PACTOR uses 200 Hz shift and most direct FSK capable radios are set for 170 Hz shift. If the 170 Hz shift can not be adjusted to 200 Hz, use the TX audio from the PK-900 to drive the microphone input in LSB.

### 11.7.8 Little Used PACTOR Commands

There are four seldom-used PACTOR commands that are accessible with the UCMD command. This command is of the form UCMD n x, where n is the UCMD number and x is the setting. Several examples are shown in the use of UCMD:

UCMD 5	Will show the current setting of command 5
UCMD 4 10	Will set command 4 to the value 10
UCMD 1 OFF	Will set the value of command 1 to zero
UCMD 3 ON	Will set the command 3 to its default value
UCMD	Will show the setting of the last UCMD entered

The PACTOR UCMD commands are:

UCMD 0: Default 3, maximum 30. This command sets the number of correct packets in a row that must be received before generating an automatic request to change from 100 to 200 baud. Also, see the command PT200 in 11.7.4.

UCMD 1: Default 6, maximum 30. This command sets the number of incorrect packets in a row that must be received before generating an automatic request to change from 200 to 100 baud. Also see the command PT200 in 11.7.4

UCMD 2: Default 2, maximum 9. This command sets the number of packets sent in a baud rate speed-up attempt.

UCMD 3: Default 5, maximum 60. This command sets the maximum number of Memory ARQ packets that are combined to form one good packet. When this number is exceeded, all stored packets are erased and Memory ARQ is re-initialized.

## 11.8 Monitoring ARQ PACTOR Contacts with PTLIST

Use the "PTLIST" command to monitor ARQ traffic flowing between two stations linked in a PACTOR ARQ contact. Your PK-900 will try to display the text of whichever of the two linked ARQ stations is the Information Sending Station at the moment.

Monitoring two linked PACTOR ARQ stations does not provide the error correction enjoyed by the linked stations. Since your PK-900 is not part of the "handshake" you do not generate the request for repeat. Your PK-900 will test for the correct CRC error check and will not display messages with errors. Data blocks with errors will be designated with four error symbols. The default error symbol is the underline ( ). See the command summary for ERchr, the error symbol.

Your PK-900 will not print a block of data if that block contains the same sequence number as the previous block. If the "ISS" (Information Sending Station) is repeating the same block, you won't print it twice.

## 11.9 PACTOR MailDrop Operation

The PK-900 allows PACTOR as well as Packet and AMTOR access to the MailDrop. Messages that originate in Packet or AMTOR can be accessed remotely in PACTOR and messages that originate from a remote PACTOR station can be accessed by Packet and AMTOR users of your MailDrop. This section of the manual talks about basic PACTOR mailbox operation. Section 11.10 will discuss how to pass message traffic from PACTOR to Packet and vice versa.

Make sure that you understand MailDrop Operation in Chapter 5 and the basic PACTOR operation described earlier in this chapter before putting your PACTOR MailDrop on the air.

### 11.9.1 Special Operating Considerations

The PACTOR MailDrop has been designed with a "Watchdog" safety feature so that it may perform safely without constant attention. If a remote station is linked with your PACTOR MailDrop and no traffic is passed for 5 minutes, the link will drop and your transmitter will shut off.

At this writing however, unattended operation below 30 MHz is not legal for US amateurs unless they hold a Special Temporary Authorization (STA) from the FCC for this purpose. This restriction may soon change, but until then US amateurs must be sure to always have control of their HF transmitters when any automatic device such as the PK-900 MailDrop is in operation.

With this in mind, we have designed the PACTOR MailDrop so that it can be disabled at any time during an ARQ link simply by turning the command TMAIL (TOR MAIL) OFF. This allows you the SYSOP to make your MailDrop available to other stations and still break in to chat with remote stations at any time. This could come in handy should you want to provide some help or information to a remote station using your PACTOR MailDrop.



### 11.9.2 Settings For PACTOR MailDrop Operation

Before a remote PACTOR user can access your MailDrop, be certain that MYPTCALL and MYCALL (on Port 1) are set to your Amateur callsign.

### 11.9.3 Starting PACTOR MailDrop Operation

Remote access to your PACTOR MailDrop is controlled by the command TMAIL which is short for TOR MAIL. The TMAIL command controls remote access to the PACTOR and AMTOR MailDrop in the same way that the MAILDROP command controls remote Packet access.

Turn the TMAIL command ON (default OFF) to allow remote stations to access your MailDrop in ARQ PACTOR. Turn TMAIL OFF to have normal ARQ QSOs with other stations in the PACTOR mode.

### 11.9.4 Local Logon to the MailDrop

To locally access your MailDrop use the MDCHECK command as described in chapter 5 of this manual on MailDrop operation.

#### 11.9.4.1 Remote Logon to your PACTOR MailDrop

The PACTOR maildrop user interface is slightly different from the packet interface due to the differences between the two modes.

When a station links with your PACTOR MailDrop, your PK-900 first identifies your maildrop by sending the amount of free MailDrop memory as shown below:

```
Type H for help.  
(AEA PK-900) 17528 FREE.
```

The PK-900 then sends the user the MTEXT string if the MailDrop Message command (MMSG) is ON. The Default text is shown below:

```
Welcome to my AEA PK-900 maildrop.  
Type H for help.
```

### 11.9.5 Caller Prompts

The command prompt that the MailDrop sends the remote user in PACTOR is similar to that used in the Packet mode and is shown below:

```
WX7BBB DE WX7AAA (A,B,H,J,K,L,R,S,V,?) >
```

As in packet, MDPROMPT is the PACTOR MailDrop message prompt sent to a remote station by your MailDrop. The default prompt is:

```
Subject:/Enter Message,^Z (CTRL-Z) or /EX to End
```

Text before the first slash is sent to the user as the subject prompt; text after the first slash is sent as the message text prompt.

### 11.9.6 Monitor MailDrop Operation

The local user (SYSOP) can monitor the dialog by setting MDMON ON. The PK-900 stays in command mode during remote MailDrop access.

### 11.9.7 SYSOP MailDrop Commands

The MailDrop commands that you the SYSOP have access to are the same as those described in Chapter 5 of the manual on MailDrop Operation.

### 11.9.8 Remote User MailDrop Commands

When a remote user has logged onto your MailDrop the following commands are available to the distant station:

A, B, H, J, K, L, R, S, V, ?.

The remote user may end a command with either <CTRL-Z> or a carriage return.

A brief description of each command follows in the next sections. The description is expanded where the command operation differs from the Packet Maildrop section found in Chapter 5.

#### 11.9.8.1 A (ABORT) (Remote only)

The "A" command aborts the listing or reading of messages by the remote calling station as described in chapter 5. The difference in PACTOR is that the remote user must send the ACHG command first to reverse the direction of the link before he can issue the Abort command.

The remote user also has the ability to abort a command that may have been mis-typed by typing "///" on the same line as the bad command.

#### 11.9.8.2 B (BYE)

The "B" command logs the remote station off the MailDrop. In PACTOR the remote station may gracefully shut down the link with the RECEIVE character (<CTRL-D>) or the CWID character (<CTRL-F>).

#### 11.9.8.3 H (HELP)

The "H" command sends the remote station a help list of the available commands shown in Chapter 5.

#### 11.9.8.4 J (JLOG) (Remote only command)

The "J" command sent by the distant station will cause the MailDrop to send the list of stations who have logged in to your MailDrop.

#### 11.9.8.5 K n (KILL n [Mine])

The "K n" command deletes message number "n" from the MailDrop as described in Chapter 5. The "KM" command will kill all of your messages that have been read.

#### 11.9.8.6 L (LIST [Mine])

The "L" command shows the remote user only a list of the messages he or she may read as described in Chapter 5. The "LM" command lists only those messages addressed to the user.

#### 11.9.8.7 R n (READ n [Mine])

The "R n" command lets the remote user read any of the message numbers displayed in the LIST command. The command operates as described in Chapter 5 except that the column headers are not displayed. The "RM" command displays messages addressed to the remote user that have not been read previously.

#### 11.9.8.8 S callsign (SEND callsign)

Either a <CTRL-Z> or the "/EX" command must be used to end all PACTOR MailDrop messages. After the <CTRL-Z> or "/EX" has been detected, the MailDrop will confirm that the message has been sent by returning the message "Filed msg n" to the remote user. An example of sending a message is shown below:

```
WX7BBB DE WX7AAA (A,B,H,J,K,L,R,S,V,?) >           {MailDrop prompt}
s wx2zzz @ wx2yyy                                   {User's SEND command}
Subject:                                           {MailDrop Subject prompt}
Going to the Hamfest?                             {User enters Subject}
Enter Message, ^Z (CTRL-Z) or /EX to End         {MailDrop Send prompt}
I haven't heard from you and wondered if         {Message text}
you are going to the Hamfest next month?         {Message text}
Hope to see you there. 73                         {Message text}
/ex                                               {User ends message}
WX7BBB DE WX7AAA Filed msg 1 (A,B,H,J,K,L,R,S,V,?) >{MailDrop prompt}
```

#### 11.9.8.9 V (VERSION) (Remote only command)

The "V" command causes the PK-900 to send the sign-on message and firmware date to the remote user only.

#### 11.9.8.10 ? (HELP) (Remote only command)

The "?" command sends the distant station a HELP list of all available MailDrop commands shown above under the "H" command. Both the "?" and the "H" cause this same file to be sent to the remote user.

### 11.10 Simultaneous PACTOR and Packet Operation

Your PK-900 can operate PACTOR on Radio Port 1 and HF or VHF Packet on Radio Port 2 at the same time. With this feature you won't miss any local Packet activity while operating PACTOR.

Before the second radio port can be used for packet operation, you must be sure the correct modem and packet baud rate (HBAUD) are selected for the second port. Use the MODem command to select either or both modems, for example, MOD 4/4. For Radio Port 2, the command would be MOD /4 to select the 1200 baud VHF packet modem.

Always make sure that the port 2 packet baud rate HBAUD is appropriate for the modem you have chosen. For instance to operate 1200 baud VHF packet on radio port 2, the packet baud rate (HBAUD) must be 1200 bauds. Type HBAUD /1200 to select 1200 baud on radio port 2.

### 11.10.1 Selecting Modems

The various modems available in the PK-900 can be seen with the DIRECT(ory) command. To display all the available modems simply enter the Command Mode of the PK-900 and then type DIR as shown.

```
DIR <Enter>
```

The PK-900 will respond with the following:

- Port 1 -	- Port 2 -
1: FSK 45 bps 170: 2125/2295	1: Internal 200: 1070/1270
2: FSK 100 bps 170: 2125/2295	2: Internal 200: 2025/2225
3: FSK 45 bps 200: 2110/2310	3: Internal 1000: 1200/2200
4: FSK 100 bps 200: 2110/2310	4: Internal 1000: 1200/2200
5: FSK 100 bps 425: 2125/2550	5: Internal 200: 1180/980
6: FSK 100 bps 850: 2125/2975	6: Internal 200: 1850/1650
7: FSK 100 bps 850: 1275/2125	7: Internal 800: 2100/1300
8: Analog 900/2500	8: Internal 800: 2100/1300 eq.
9: FSK 2400 bps 800: 1300/2100	9: Internal option
10: FSK 300 bps 200: 2110/2310	10: Modem disconnect header
11: FSK 1200 bps 1000: 1200/2200	
12: Morse 750	

cmd:

Any modem from the list may be loaded with the MODEM command, but only the 100 (or higher) baud modems listed will operate in PACTOR. For example, to operate PACTOR on radio port 1 and 1200 bps VHF packet on radio port 2 you must select modems for radio ports 1 and 2. First, enter the Command Mode of the PK-900 and then type MODEM 4/4 as shown below:

```
MODEM 4/4 <Enter>
```

The PK-900 will respond with the following:

```
MODem was  x/x (The previous modems)
MODem now  4/4
```

### 11.10.2 Displaying Received Data

The Radio command may be used to disable port 2. This may be desirable when operating PACTOR and you do not want to be disturbed with any packet signals that may be received on radio port 2. To disable port 2, enter:

```
RADIO ON/OFF <Enter> or RADIO 1/0 <Enter>
```

For dual port operation, type

```
RADIO ON/ON <Enter> or RADIO 1/2 <Enter>
```

The PK-900 sorts and displays received data from each Radio Port using the same technique as multi-connect packet operation described in Chapter 4. That is, when operating on one port and the other port becomes active, the displayed data from the inactive port is shown prefaced by the "channel designator" followed by a colon (:). Recall that Radio Port 1 is designated by "logical" channels from 0-9 and that Port 2 is designated by "logical" channels A-Z.

### 11.10.3 Switching Between Ports

If you are using an AEA PAKRATT program, switching between Radio Ports is described in the program manual. If you are using a terminal program, this section describes how to direct your transmitted text.

Switching between PACTOR on Port 1 and Packet on Port 2 is similar to switching between Packet and Packet. If you have not yet read through the Switching Between Radio Ports section of Chapter 4, please do so now and define a CHSWITCH character before reading the example below.

Recall from chapter 4 that the channels on Port 1 are labeled 0-9 and the channels on Port 2 are labeled A-Z. To select Radio Port 1 (PACTOR) press the CHSWITCH character you defined, followed by the number 0. To select Radio Port 2 (Packet), press the CHSWITCH character, followed by a letter from A-Z.

For example, you are conversing with an PACTOR station and are in the middle of a QSO when a station on VHF connects to you. The following shows how your screen would look and suggests how you might handle such an occurrence. The underlined text is the text that you type.

Hello Jim, you are printing solid here and have an S7 signal.<CTRL-Z>	{ You send the PACTOR station a signal report }
Thanks Bob, you're also a solid S7 here as well.	{ The other station responds with a signal report }
A:*** CONNECTED to WX7EEE	{ WX7EEE connects to you on VHF (Radio Port 2) }
Thanks for the signal report Jim only running 100 watts here.<CTRL-Z>	{ You make another transmission to Jim on HF PACTOR }
Hey Bob, I'm going to the hamfest this weekend if you want a ride.	{ Your friend on VHF packet wants to go to the hamfest }
AHello Mike, I am on HF PACTOR talking to a station in Boston.	{ You switch to Port 2 by typing  A to answer on VHF }
0:Well Bob, I had better be going to bed. Work starts pretty early 73.	{ Jim on HF PACTOR signs off with you. }
073 Jim, it was nice meeting you. WX1AAA de WX7BBB SK <CTRL-D>	{ You switch back to HF with  0 and sign off with Jim }

As you may have noticed, communicating with different modes on the two Radio Ports at the same time is almost identical to the method used in chapter 4 for Packet and Packet operation. Let's discuss the sample QSOs above to see how the Port switching occurs.

The first text we see in the sample above is the signal report you are sending to Jim, the HF PACTOR station you are communicating with.

This example assumes you have already set up the ARQ PACTOR contact with the ARQ command discussed earlier in the chapter. When you are through sending your signal report to Jim on PACTOR, you turn the link over to become the IRS by sending the <CTRL-Z>. The PK-900 then responds by sending a blank line to the display to break up the received text.

The next text you see is your signal report received from Jim on PACTOR.

You are in the middle of a QSO with Jim on PACTOR and all of a sudden your friend WX7EEE connects to you on Packet. WX7EEE has connected on Radio Port 2 (VHF) which is shown by the "A:" before the connect message. Remember that the 26 channel designators for Radio Port 2 are A-Z.

Before you respond to WX7EEE on VHF, you send a transmission to Jim on PACTOR telling him how much power your transmitter is running. When you are finished with your text, you again command the PK-900 to be the IRS by sending a <CTRL-Z>.

After making this transmission on PACTOR, you see WX7EEE on VHF has offered you a ride to the hamfest. We know this text is from Radio Port 2 since the previous packet displayed by the PK-900 was the "A:\*\*\* CONNECTED" message from Port 2.

Now you want to let WX7EEE on VHF know that you are there, but that you are involved in another QSO on HF. This way he will understand that it may take you a little longer to respond to his packets. Before you can send data to Radio Port 2, you must switch to this Port with "|A" or the text you type will be sent to Radio Port 1 on PACTOR when Jim turns the link over to you again.

You receive a transmission from Jim on PACTOR telling you he needs to sign off to go to bed. The "0:" in front of the text shows this was received on Radio Port 1.

Now you want to sign off with Jim on HF. Again, first you must switch to Radio Port 1 with the "|0" since your last transmission was directed to Port 2. Now you can make your final transmission to Jim ending with his callsign followed by your callsign. This time when you are through typing your text, you send a <CTRL-D> to the PK-900 which breaks the ARQ link and returns Radio Port 1 to PACTOR Standby after the text has been sent.

#### 11.10.4 More Thoughts on Port Switching

One problem of having more than one Radio Port is remembering which port you are currently using. In the dual port sample QSOs above, this was not a problem, but after it has been hours or days since you have used your PK-900, you may forget which port you last used.

With AEA Pakratt Software programs, the on-screen status will always show which port you are using so this is not a problem. With other programs, you will have to query the PK-900 with the CSTATUS SHORT command. The CSTATUS command displays the status of the logical channels of Port 1 and Port 2 of the PK-900. The CSTATUS SHORT command displays the status of the active channel and any packet channels that are connected. After completing the sample QSOs above, the PK-900 would display the following.

```
cmd:CSTATUS S
```

```
Ch. A - IO DISCONNECTED
```

This reminds you that Channel A is your current I/O channel. Any text that you type in the Converse mode will be sent to channel A on Radio Port 2. If you had been connected to any other packet stations, the callsign and channel would have also shown in the display.

Sometimes you might not want to be bothered with anything from the Radio Port you are not using. For these times either Radio Port may be turned OFF with the RADIO command. For example, let's say that in the above example QSO you wanted to work HF packet and did not want to be interrupted with any VHF connects. Typing the following command would cause Radio Port 2 to be disabled.

```
cmd:RADIO /0
RAudio was 1/2
RAudio now 1/0
```

When a PK-900 Radio Port is disabled, the front panel LCD status indicator for that port will be extinguished as a reminder.

#### 11.10.5 Dual Port PACTOR/Packet Maildrop Operation

Your PK-900 MailDrop will operate both on Packet and PACTOR and can be used to allow message traffic that originates on PACTOR to be reverse-forwarded into the Packet network. Similarly, traffic originating on Packet may be picked up by remote stations on PACTOR.

Before you begin dual port Packet/PACTOR MailDrop operation, be sure that you are familiar with the operation of Packet, PACTOR and the MailDrop as described in Chapters 4, 5 and 7 of this manual. Also be sure that appropriate modems are selected. The more experience you have with each of these modes will help when setting up a dual port MailDrop system.

#### 11.10.5.1 Packet MailDrop Command Settings

First set up the packet side of the MailDrop (on Radio Port 2) by setting MYCALL and MYMAIL. You may also want to enter a custom MTEXT to let others know about the PACTOR feature. Be sure to set 3RDPARTY, MDMON, MDPROMPT and MMSG as desired. If you will be reverse forwarding to a full-service BBS, you must set HOMEBBS to the callsign of that BBS. Do not forget to turn MAILDROP ON. As a test you should connect to your own maildrop via a digipeater or network node to make sure the radio link is working properly and the user prompts are what you desire.

#### 11.10.5.2 PACTOR MailDrop Command Settings

Once the Packet side is working properly, the PACTOR side of things on Radio Port 1 must be configured. First be sure that MYCALL is entered properly. You may want to customize the PACTOR MailDrop prompt (MDPROMPT) or compose a message to ALL that tells remote users about your system. Finally, remember to turn TMAIL ON and enter the PACTOR mode of the PK-900 to start the PACTOR MailDrop.

#### 11.10.5.3 Dual Port MailDrop Operation Notes

With the above parameters set, packet connections to the MYMAIL callsign on Radio Port 2 will be sent to your MailDrop if you or a remote PACTOR station is not using it. If you or any other station is using your MailDrop, the remote user attempting the packet connection will be sent a "\*\*\* Busy" message.

Similarly, a remote PACTOR station linking to you will be given access to your MailDrop provided no one else is using it. If you or a remote packet station is using your MailDrop, the PACTOR station may link to you, but will not be given access to your MailDrop. For this reason, you may wish to disable Radio Port 1 (by turning the RADIO parameter to 0/2) when logging into your own MailDrop for maintenance. This will prevent remote PACTOR stations from linking with you.

If you will be Reverse Forwarding messages into the Packet network, be sure to check your MailDrop often for new messages. Remember that you must use the Edit command in the MailDrop to select which messages will be Reverse Forwarded.

Note: At this time unattended operation below 30 MHz is not legal for US amateurs unless they hold a Special Temporary Authorization (STA) from the FCC. Although this may soon change, US amateurs must be sure to have control of their HF transmitters when any device such as the PK-900 PACTOR/Packet MailDrop is in operation.



## 11.11 PACTOR Switching-Time Considerations

For operation in PACTOR ARQ, your transceiver or transmitter-receiver combination must be able to change between transmit and receive within 100 milliseconds. Most modern solid state radios can easily meet this specification. Many older tube-type radios that use electromechanical relays also operate very well in PACTOR ARQ.

If the changeover from transmit to receive is too long, the minimum working distance is extended; the signal to the distant station will arrive before the station has switched back to receive. However, if the transmitting station is further away, the transmission time over the propagation path will delay the arrival of the signal until after the station has switched to receive. For this reason, you may be able to "Link with" stations across the country, but not across town.

If the receiving station's changeover from transmit to receive is too slow, the transmitting station delay between "PTT" and "data send" can be extended. See the ADELAY command in the Command Summary to adjust the PK-900's PACTOR timing characteristics to compensate for this.

### 11.11.1 Suggested PACTOR Operating Settings

If you have trouble synchronizing with another PACTOR ARQ station, try some of the following operating tips before calling AEA or deciding that your radio equipment needs modifications:

- o Try to work the distant station on the unproto mode to establish that the other station's system is fully functional.
- o Don't use VOX control - use the PTT line from your interface.
- o Turn off the AGC circuit - use the RF gain control to prevent receiver blocking on stronger signals.
- o Turn off all compression or other audio processing.
- o Keep the AFSK audio input level to the microphone circuit as low as possible - avoid over-driving the audio input stages.
- o Disable the ALC circuit or reduce excessive ALC action; use more effective RF antenna loading to adjust output power levels.

### 11.11.2 Possible Areas for PACTOR Performance Improvement

If switching-time problems persist, you may have to make changes in the radio to eliminate excessive time delays:

- o Remove large decoupling capacitors from the Push-To-Talk line to allow faster PTT (transmitter) activation;
- o Improve power supply decoupling, especially in audio stages.
- o Do not use the squelch control.

In case you can't solve your radio's switching-time problems, please call AEA's Customer Service Department (see the front of this manual).

The rest of this page is blank.

## APPENDIX A

### COMMAND SUMMARY

#### A.1 Introduction

Your PK-900 is controlled by Commands that you enter from the keyboard. Most of these commands have a standard (default) value that provides good performance. There are however a few commands that you will need to change. This section is intended as a command and error message reference and is not meant to be read from start to finish.

##### A.1.1 Entering Commands

AEA Software for the PK-900 such as PC-PAKRATT II and MACRATT have menus and even on-line help for commands. If you are using an AEA program, please consult the program manual for instructions on entering commands. The instructions below assume you are using a terminal or terminal-emulating program on your personal computer.

Commands are short names for the instruction you want the PK-900 to perform. Commands are entered after the Command prompt "cmd:".

- o You may use either UPPER or lower case when entering commands.
- o End the command with a carriage return <CR> or the <Enter> key.
- o Correct any typing mistakes before typing the final <Enter>.

##### A.1.2 Command Responses

Whenever the PK-900 accepts a command it responds by displaying both the old and new values. For example, if you type "XFLOW OFF" - you'll see the display:

```
XFlow   was ON
XFlow   now OFF
```

This message tells you that the value has been changed successfully.

#### A.2 Command List

Commands are listed alphabetically in the following command descriptions. Each command entry contains several sections:

Command Name, Default Value, Mode(s) in which the command is used, HOST mode abbreviation (for HOST mode programmers), and Parameters

##### A.2.1 Command Names and Abbreviations

The command name at the beginning of the description is the full word you can type in order to have your PK-900 execute this command. The capital letters indicate the minimum abbreviation you can use instead of the full word. For example:

You can enter the command MYCALL by simply typing "MY". (Note: DO NOT type the "quotation marks") The abbreviation "M" is not sufficient, but "MY", "MYC", "MYCA", "MYCAL" or "MYCALL" are all acceptable.

## A.2.2 Default Values

Almost all commands have initial or default values that are loaded when the PK-900 is first turned on. The PK-900 assumes these default values to be best suited for the "average" amateur station operation. There is no rule that says "you must keep the defaults". You can (and should) change the default values as required for your individual operating needs, type of equipment, or local customs.

## A.2.3 Modes in which the command is used

Many commands work only in a specific operating mode such as packet. Others commands function in all modes. The second line of the command description tells the mode or modes in which the command functions.

## A.2.4 HOST Mode Abbreviations

If you are a computer programmer and wish to write an application for the PK-900, you may want to consider using the HOST Mode. Contact AEA if you are interested in Host Mode programmers information.

## A.3 Parameters and Arguments

If a command requires Parameters, the type of parameter is indicated after the command name as well as its default value. Three different types of parameters are used: Boolean, Numeric and Text or String.

### A.3.1 Boolean Parameters

Boolean parameters use one value out of a choice of only two possible values, such as ON or OFF, YES or NO, or EVERY or AFTER. Boolean parameters can also be toggled with an argument of "TOGGLE" or "T." This is useful, for example, in the case of RXREV and TXREV.

### A.3.2 Numeric Parameters

A parameter designated as "n" is a numeric value. Numeric values can be entered by typing them in familiar decimal numbers, or optionally, in hexadecimal numbers (base 16).

When using hexadecimal notation, you must type a \$ in front of the number to tell the PK-900 that this is a "hex" number. Here's a brief explanation of "hex" numbers:

- o The "digits" of a hex number represent powers of 16 in the same manner as the powers of 10 represented by a decimal number.
- o The numbers 10 through 15 are indicated by hexadecimal digits A through F. For example:

$$\begin{aligned} \$1B &= (1 \times 16) + (11 \times 1) = 27 \text{ (decimal)} \\ \$120 &= (1 \times 16 \times 16) + (2 \times 16) + (0 \times 1) = 288 \text{ (decimal)} \end{aligned}$$

For numeric parameters the arguments "ON" or "Y" set the parameter value to its default. Arguments "OFF" or "N" set the value to 0. Baud-rate parameters can use arguments UP (U) or DOWN (D) to select the next higher or lower baud rate.

### A.3.3 Text or String Parameters

A text parameter such as the CTEXT message (your Connect-TEXT message) can hold most any ASCII character including UPPER and lower case letters, numbers, spaces, and punctuation.

Some commands such as CONNECT require call signs as parameters. These parameters are usually call signs, but may be any string of numbers and at least one letter up to six characters in length. Some commands such as CFROM (your "Connect FROM" list) have parameters which are actually lists of call signs. You must separate multiple call signs with either spaces or commas.

### A.3.4 Commands With Two Arguments

Some packet commands accept separate arguments for each Radio Port. For example, the Packet TXDELAY Command (Transmit Delay) must be settable for both Radio ports. The default setting of TXDELAY is "12/30" meaning that Radio Port 1 defaults to 120 msec as used on HF, and Radio Port 2 defaults to 300 msec for VHF and UHF transceivers.

To change the "Port 1" value of a two argument command, type the command name followed by the new argument. For example to set the Port 1 value of TXDELAY to 30 for VHF packet, type the following at the command prompt:

```
cmd:TXDELAY 30
TXDelay was 12/30
TXDelay now 30/30
```

To change the "Port 2" value of a two argument command, place a forward slash "/" in front of the argument typed after the command name. For example, to set the Port 2 value of TXDELAY to 12 for HF packet, type the following at the command prompt:

```
cmd:TXDELAY /12
TXDelay was 30/30
TXDelay now 30/12
```

the arguments for both ports may be changed at the same time by typing the desired arguments for both ports. For example, to return the TXDELAY command to its default values, type the following:

```
cmd:TXDELAY 12/30
TXDelay was 30/12
TXDelay now 12/30
```

### A.3.5 Using Commands Without Arguments

All commands that accept values or parameters may be typed without any arguments to check their status. Typing the only the command name "VHF" with no arguments displays:

```
cmd:VHF          - Command with no arguments
Vhf OFF/ON      - displays the present value
```

NOTE: The DISPLAY command shows you groups of related parameters.

## A.4 Controller Messages

From time to time, the PK-900 will generate messages informing you of its status. Error messages will also be generated if the PK-900 did not understand a command you have entered. This section describes the PK-900's messages and the circumstances which cause them.

### A.4.1 General Status Messages

#### Sign-On Message

```
AEA PK-900 Data Controller
Copyright (C) 1986 - 1992 by
Advanced Electronic Applications, Inc.
Release DD-MMM-YY
cmd:
```

The sign-on message appears when you turn on your PK-900, after system "RESTART" or "RESET" after the autobaud routine. The release date is updated whenever the firmware is changed. Please write the date on the first page of this manual in case it is needed.

PK900 is using default values

This message appears the first time you turn on your PK-900 or every time you turn the PK-900 on if the battery jumper is removed. The message will also appear in response to the RESET command.

cmd:

This is the Command Mode prompt. When this prompt appears, the PK-900 is waiting for you to issue a command. Anything you type after this prompt is interpreted as a command to the PK-900.

was  
now

Whenever you change one of the PK-900's parameters, both the previous value and the new value are displayed.

bbRAM scanned, checksum failed!

This message indicates there has been an error in the battery backed RAM. A low lithium battery is the likely cause for this.

ERROR: Subroutine, Bank, Addr

This message indicates a program error has occurred. Write down any information accompanying this message and call AEA's Technical Support department. If possible, print a DISPLAY Z parameter listing.

ROM error, checksum \$xxxx

This message indicates there has been a failure in the PK-900. If this message appears, call AEA's Technical Support department.

#### A.4.2 General Error Messages

An error message is displayed if the PK-900 does not understand what you typed, or needs more information. If you see an Error message, look up the Command to make sure you are entering it properly.

?What?

Your first entry is not a command or a command abbreviation - your PK-900 did not understand your instructions!

?bad

You typed a command name correctly, but the remainder of the command line was not understood.

?callsign

You typed a call sign that does not meet the PK-900's requirements.

?clock not set

You typed the command DAYTIME, but you haven't yet set the clock!

?not enough

You didn't type enough arguments for a command that needs several.

?range

You typed a numeric argument too large or too small for that command.

?too many

You typed too many arguments for the command to accept.

?too long

You typed a command line that is too long. For example, if you type a BTEXT or CTEXT message that is too long you'll receive this message.

?need ALL/NONE/YES/NO

This message indicates you have forgotten the ALL, NONE, YES or NO parameter in the CFROM, DFROM or MFROM commands.

\*\*\* Transmit data remaining

If the PK-900 is commanded back to receive with the RCVE command when it still has data in the transmit buffer waiting to be sent.

not while in (MODE)

This message will appear any time you try to do something that is not permitted in the current PK-900 operating mode.

Serial port configuration will change on next RESTART

This message means you have changed the terminal baud rate TBAUD, word-length AWLEN or the PARITY. When you type the RESTART command, the new baud rate will take affect.

?need MYSelcal or ?need MYIdent

This message will appear if you try to communicate with another AMTOR station before you have entered a valid SELCALL (MYSELCAL) or MYIDENT.

?not enough memory available

This message appears if you try to change to FAX when the MailDrop is too full.

#### A.4.3 Packet Error Messages

In addition to the General Error Messages described above, the following messages may appear when entering Packet related commands.

?need MYcall

This message appears if you attempt to make a packet Connection but have not yet entered your callsign in MYCALL.

?not while connected

You attempted to change MYCALL or AX25L2V2 while in a connected state.

?not while disconnected

You tried to set CONPERM while disconnected.

LINK OUT OF ORDER, possible data loss

You are CONPERMed to another packet station but the link has failed.

?VIA

You typed more than one call sign for the CONNECT or UNPROTO commands without the VIA keyword.

?channel must be 0-9, A-Z

You typed an invalid channel character after the CHSWITCH character.

?different connectees

You tried to CONNECT to more than one station on the same channel.

?already connected (or attempting connection) to that station

You tried to CONNECT to a station to which you're already connected.



too many packets outstanding

The message appears if you've typed enough data to fill the outgoing buffer in either Converse or Transparent Mode. You cannot re-enter Converse or Transparent until some of the packets have been sent.

WARNING: Beacon too often

This Warning message appears if you have set the BEACON interval timer to less than 90 (15 minutes) which is too often for busy channels.

WARNING: CHeck/FRack too small

This Warning message appears if you have set the CHECK timer for too short a time relative to the FRACK timer.

WARNING: RESptime/FRack too large

This Warning message appears if you have set the RESPTIME timer for too long a time relative to the FRACK timer.

WARNING: TXdelay too short

This Warning message appears if the TXDELAY timer has been set too short to send at least one complete flag before the start of a packet.

WARNING: AUdelay > TXdelay

This Warning message appears if the AUDELAY timer has been set equal to or greater than the TXDELAY timer.

#### A.4.4 Packet Link Status Messages

Link status messages show you the status of AX.25 connections in which your PK-900 is involved.

```
*** CONNECTED to: call1 [via call2[,call3...,call9]]
```

This message appears when your PK-900 switches to the connected state.

```
*** Connect request: call1 [via call2[,call3...,call9]]
```

Your PK-900 has received but not accepted a connect request from a distant station.

```
*** DISCONNECTED: (call sign)
```

Your PK-900 has switched to the disconnected state. This message may be preceded by a message explaining the reason for the disconnect.

```
*** Retry count exceeded  
*** DISCONNECTED: <call sign>
```

Your PK-900 has been disconnected because of a retry failure, rather than a disconnect request from one of the stations.

\*\*\* <call sign> busy  
\*\*\* DISCONNECTED: <call sign>

Your connect request was rejected by a busy signal from another station.

FRMR sent: xx xx xx or FRMR rcvd: xx xx xx

Your PK-900 is connected but a protocol error has occurred. Your PK-900 is trying to re-synchronize frame numbers with the distant station's packet system. The string xx xx xx is replaced with the hex codes for the three bytes sent in the FRMR frame.

#### A.4.5 MailDrop Error Messages

The following messages appear as a result of entering an invalid or unrecognized command to the PK-900's MailDrop.

\*\*\* What?

You have entered a command that the MailDrop does not recognize.

\*\*\* Need callsign.

You have tried to send a message but not specified who you want to send it to.

\*\*\* Message not found.

You have tried to List or Read message(s) that the MailDrop could not find. This also appears if you try to List messages when there are no messages in your MailDrop.

\*\*\* No free memory.

You have tried to send a message, but the MailDrop does not have any memory for more messages. You must Kill messages to make room.

\*\*\* Not your message.

A remote user will get this when trying to read a message number that is addressed to another station.

?not while in (mode).

This message will be displayed if the "OK" command is entered when the PK-900 is in any mode other than Signal.

---

3Rdparty ON OFF	Default: OFF
Mode: Packet/AMTOR/FACTOR MailDrop	Host: 3R
Parameters: _____	

---

- ON - The MailDrop will handle third party traffic.
  - OFF - The MailDrop will only handle mail to or from MYCALL or MYMAIL.
- 

If 3RDPARTY is ON, then remote AMTOR, FACTOR and Packet MailDrop users may leave messages for any station.

---

5Bit	Immediate Command
Mode: Command	Host: 5B

---

5BIT is an immediate command allowing the user to store 5-bit Baudot transmissions received on Radio Port 1 then write a program to decrypt codes that involve bit inversion or transposition. In 5BIT, a constant of \$40 (64 decimal) is added to each received 5-bit character to make it a printable ASCII character in the range of \$40-5F. All characters are treated this way, including CR, LF, LTRS and FIGS.

When the user enters 5BIT, the PK-900 displays "OPMODE now BAUDOT". This is not strictly true; however, the Baudot mode will be displayed on Port 1 of the LCD Status display.

RXREV, RBAUD and the MODEM number must be set properly for the monitored transmission. SIGNAL is helpful in determining whether a transmission is 5-bit and the settings for RBAUD and RXREV, but typing OK after SIGNAL selects BAUDOT, not 5BIT.

Do not change modes directly between BAUDOT, 5BIT and 6BIT. Go through some other mode first, such as Packet. These commands do not function in 5BIT: BITINV, CCITT, CODE, MARS DISP, TRACE, USOS, WRU and XMIT.

---

6Bit	Immediate Command
Mode: Command	Host: 6B

---

Same as 5BIT, except that the unit receives a 6-bit code and adds a constant of \$30 (48 decimal) to yield a range of \$30-6F. RXREV, RBAUD and WIDESHFT must be set correctly. SIGNAL is helpful in determining whether a transmission is 6-bit and the settings for RBAUD and RXREV, but OK will not automatically select 6BIT.

When the user enters 6BIT, the PK-900 displays "OPMODE now BAUDOT". This is not strictly true; however, the Baudot mode will be displayed on Port 1 of the LCD Status display.

Do not change modes directly between BAUDOT, 5BIT and 6BIT. Go through some other mode first, such as Packet. These commands do not function in 6BIT: BITINV, CCITT, CODE, MARS DISP, TRACE, USOS, WRU or XMIT.

---

8Bitconv ON OFF	Default: OFF
Mode: Packet, PACTOR, ASCII	Host: 8B

---

Parameters: \_\_\_\_\_

- ON - The high-order bit IS NOT stripped in Converse Mode.  
OFF - The high-order bit IS stripped in Converse Mode.
- 

8BITCONV permits packet and ASCII transmission of 8-bit data in Converse Mode. When 8BITCONV is OFF (default), the high-order bit (bit seven) of characters received from the terminal is set to 0 before the characters are transmitted.

---

---

AAb text	Default: empty
Mode: Baudot, ASCII, AMTOR, PACTOR	Host: AU

---

Parameters: \_\_\_\_\_

- text - Any combination of characters up to a maximum of 24 characters.
- 

Use the AAB command to enter an acknowledgment text for Baudot, ASCII and AMTOR. AAB sends automatic confirmation in Baudot, ASCII and AMTOR in response to a distant station's WRU? request. Set WRU ON to activate Auto-Answerback in ASCII and Baudot. In AMTOR and PACTOR, UserBIT 9 (UBIT 9) controls the Auto-Answerback feature.

Type "AAB (24-character text)" to store your AnswerBack in memory.

---

---

ABaud "n"	Default: 110 bauds
Mode: ASCII	Host: AB

---

Parameters: \_\_\_\_\_

- "n" - Specifies the ASCII data rate or signaling speed in bauds from your PK-900 to your radio.
- 

ABAUD sets the radio ("on-air") baud rate only in the ASCII operating mode on Radio Port 1. This value has no relationship to your computer or terminal program's baud rate. The available "n" ASCII data rates in bauds are:

45, 50, 57, 75, 100, 110, 150, 200, 300, 400, 600, 1200, 2400, 4800 and 9600

---

---

AChg	Immediate Command
Mode: AMTOR, PACTOR	Host: AG

---

ACHG is an immediate command used in AMTOR and PACTOR by the receiving station to interrupt the sending station's transmissions. As the receiving station, you usually rely on the distant station, your partner in the ARQ "handshake", to send the "+?" or PTOver command to do the changeover. However, in ARQ (Mode A), or linked PACTOR, you can use the ACHG command to "break in" on the sending station's transmission. Use the ACHG command only when it is needed.

---

ACKprior ON|OFF/ON|OFF  
Mode: Packet

Default: OFF/OFF  
Host: AN

Parameters:

---

ON - Priority Acknowledgment is enabled.  
OFF - This feature is disabled.

---

This command implements the Priority Acknowledge scheme on each radio port. This protocol described by Eric Gustafson (N7CL) proposes to improve multiple access packet performance on HF and VHF simplex channels with hidden terminals. When a busy channel clears, the acknowledgments are sent immediately, while data and poll bits are held off long enough to prevent collisions with the ACKs. By giving priority to data ACKs, fewer ACKs will collide with other station's data, reducing retries. Digipeated frames are sent immediately. RAWHDLC and KISS force ACKPRIOR off. These are the defaults for a P-persistence system with NO Priority Acknowledgment:

ACKPRIOR OFF, PERSIST ON, PERSIST 63, SLOTTIME 30,  
RESPTIME 0, MAXFRAME 4, FRACK 5

The following are the recommended command settings for Priority Acknowledge:

1200 baud VHF packet

ACKPRIOR ON  
PPERSIST ON  
PERSIST 84  
SLOTTIME 30  
RESPTIME 0  
MAXFRAME 1 - 7  
FRACK 8  
HBAUD 1200  
VHF ON (or TONE 3)  
DWAIT doesn't matter

300 baud HF packet

ACKPRIOR ON  
PPERSIST ON  
PERSIST 84  
SLOTTIME 8  
RESPTIME 0  
MAXFRAME 1  
FRACK 15  
HBAUD 300  
VHF OFF (or TONE 0)  
DWAIT doesn't matter

Stations using neither the Priority Acknowledge nor the P-persistence schemes should set DWAIT 73 for 1200 baud and DWAIT 76 for 300 baud work. Stations using P-persistence but not Priority Acknowledge should set PERSIST and SLOTTIME to the same values that ACKPRIOR stations are using.

AEA and TAPR use some different command names to handle P-persistence. The following table should help with the AEA/TAPR command differences:

TAPR_SLOTS	MFJ SLOTMASK	AEA_PERSIST	Remarks
1	\$00	255	Disables slotting
2	\$01	127	
3		84	
4	\$03	63	Default setting
6		42	
8	\$07	31	Very busy channel
12		20	
16	\$0F	15	Extremely busy channel
64	\$3F	3	

AEA products calculate the TAPR ACKTIME value based on the setting of HBAUD. The TAPR DEADTIME command is analogous to the AEA SLOTTIME command.

---

ACRDisp "n"	Default: 0
Mode: ALL	Host: AA

---

Parameters: \_\_\_\_\_

"n" - 0 to 255 specifies the screen width, in columns or characters.  
0 (zero) disables this function.

---

The numerical value "n" sets the terminal output format for your needs. Your PK-900 sends a <CR><LF> sequence to your computer or terminal at the end of a line in the Command and Converse Modes when "n" characters have been printed. Most computers and terminals do this automatically so ACRDISP defaults to 0.

When the PK-900 is in the MORSE mode, received data will be broken up on word boundaries if possible. At a column of 12 less than the ACRDISP value, the PK-900 starts looking for spaces in the received data. The first space received after this column forces the PK-900 to generate a carriage return. If ACRDISP is 0 (default), this occurs at column 60. If there are no spaces at or after this column then a carriage return occurs at ACRDISP.

---

ACRPack ON OFF	Default: ON
Mode: Packet	Host: AK

---

Parameters: \_\_\_\_\_

ON - The send-packet character IS added to packets sent in Converse Mode.  
OFF - The send-packet character is NOT added to packets.

---

When ACRPACK is ON (default), all packets sent in Converse Mode include the SEND-PACKET character (normally <CR>) as the last character of the packet. When ACRPACK is OFF, the send-packet character is interpreted as a command, and is not included in the packet or echoed to the terminal. ACRPACK ON and SENDPAC \$0D produce a natural conversational mode.

---

ACRRtty "n"	Default: 71 (69 in AMTOR)
Mode: Baudot/ASCII RTTY, AMTOR and PACTOR	Host: AT

---

Parameters: \_\_\_\_\_

"n" - 0 - 255 specifies the number of characters on a line before a carriage return <CR> is automatically inserted in your transmitted text.  
Zero (0) disables the function.

---

When sending Baudot, ASCII and PACTOR, the ACRRTTY feature automatically sends a carriage return at the first space following the "nth" character or column.

Use this option when you are sending and don't want to be bothered by watching the screen or worrying about line length. You should NOT use this option when retransmitting text received from another station; for example, ARRL Bulletins.

ACRRTTY is used in AMTOR, except that AMTOR is limited by international telex practices to a maximum of 69 characters per line. If ACRRTTY is set to 71, in AMTOR the automatic carriage return function operates after 69 characters.

---

Address "n"	Default: \$0000
Mode: ALL	Host: AE

---

Parameters: \_\_\_\_\_

"n" - Zero to 65,535 (\$0 to \$FFFF) setting an Address in the PK-900 memory.

---

The ADDRESS sets an address somewhere in the PK-900's memory map. This command is usually used with the IO, MEMORY and the PK commands. It is used primarily by programmers and is of no use for normal PK-900 operation.

---

ADelay "n"	Default: 4 (40 msec.)
Mode: AMTOR, PACTOR	Host: AD

---

Parameters: \_\_\_\_\_

"n" - 1 to 9 specifies transmitter key-up delay in 10-millisecond intervals.

---

ADELAY is the length of time in tens of milliseconds between the time when the PK-900 activates the transmitter's PTT line and the ARQ data begins to flow. The ADELAY command allows you to adjust a variable delay, from 10 to 90 milliseconds to handle the PTT (Push-to-Talk) delay of different transmitters.

In most cases, the default value of 4 (40 milliseconds) is adequate for the majority of the popular HF transmitters. If the AMTOR signal strength is good and you observe periodic errors caused by loss of phasing (shown by rephase cycles in the middle of an ARQ contact) during contacts, it may be necessary to adjust the ADELAY value.

- o Be sure that errors and rephasing effects are not caused by the distant station before changing your ADELAY.
- o If changing your ADELAY values does not improve link performance, reinstall your original value and ask the other station to try changing his ADELAY.

Because the ARQ mode allows 170 milliseconds for the signal to travel to the distant station and return, increasing ADELAY will reduce the maximum working distance. The maximum theoretical range of an ARQ contact is limited to about 25,500 kilometers. Using some of that time as transmit delay leaves less time for signal propagation. Thus the maximum distance available is reduced.

Regardless of the setting of ADELAY, ARQ (Mode A) AMTOR may not work very well over very short distances, e.g., one or two miles. However, in very short distance work, ARQ should not be necessary to achieve error-free copy.

PACTOR is less sensitive to transmitter turn on timing and values up to 10 (100 ms) may be used.

---

AFilter ON OFF	Default: OFF
Mode: ALL	Host: AZ

---

Parameters: \_\_\_\_\_

---

- ON - The ASCII characters specified in the MFILTER are filtered out and never sent to the terminal or computer.
  - OFF - Characters in MFILTER list are only filtered from monitored packets.
- 

Some terminals and computers use special characters to clear the screen or perform other "special" functions. Placing these characters in the MFILTER list, and turning AFILTER ON will keep the PK-900 from sending them.

Exception: When ECHO is ON, and the terminal or computer sends a filtered character, the PK-900 will echo it back to the terminal or computer.

AFILTER works regardless of mode, or CONNECT/CONVERSE/TRANSPARENT status. One must be careful to leave AFILTER OFF during Binary file transfers.

---

ALFDisp ON OFF	Default: ON
Mode: All	Host: AI

---

Parameters: \_\_\_\_\_

---

- ON - A line feed character <LF> IS sent to the terminal after each <CR>.
  - OFF - A <LF> is NOT sent to the terminal after each <CR>.
- 

ALFDISP controls the display of carriage return characters received, as well as the echoing of those that are typed in.

When ALFDISP is ON (default), your PK-900 adds a line feed <LF> to each carriage return <CR> received, if needed. If a line feed was received either immediately before or after a carriage return, ALFDISP will not add another line feed. Use the PK-900's sign-on message to determine how carriage returns are being displayed. ALFDISP affects your display; it does not affect transmitted data.

Set ALFDISP ON if the PK-900's sign-on message lines are typed over each other. Set ALFDISP OFF if the PK-900's sign-on message is double spaced. ALFDISP is set correctly if the PK-900's sign-on message is single spaced.



---

ALFPack ON OFF	Default: OFF
Mode: Packet	Host: AP

---

Parameters: \_\_\_\_\_

- ON - A <LF> character IS added after each <CR> sent in outgoing packets.  
OFF - A <LF> is NOT added to outgoing packets (default).
- 

ALFPACK is similar to ALFDISP, except that the <LF> characters are added to outgoing (transmitted) packets, rather than to text displayed locally.

- o If the person you are talking to reports overprinting of packets from your station, set ALFPACK ON. ALFPACK is disabled in Transparent Mode.

---

ALFRtty ON OFF	Default: ON
Mode: Baudot/ASCII RTTY	Host: AR

---

Parameters: \_\_\_\_\_

- ON - A line feed character <LF> IS sent after each carriage return <CR>.  
OFF - A <LF> is NOT sent after each <CR>.
- 

If ALFRTTY is set ON when transmitting Baudot or ASCII RTTY, a line feed character is added and sent automatically after each <CR> character you type.

Use this option when you are typing into the transmit buffer and don't want to be bothered worrying about line length. You should NOT use this option when retransmitting text received from another station; for example, ARRL Bulletins.

- o ALFRTTY has no effect in AMTOR; a line feed is automatically added after each carriage return.

---

AList	Immediate Command
Mode: AMTOR	Host: AL

---

ALIST is an immediate command that switches your PK-900 into the ARQ Listen mode.

You can usually monitor an ARQ AMTOR contact between two linked stations using the ARQ Listen mode (also called Mode L). This mode may need a few seconds to phase or acquire synchronization with the other stations. Your ability to synchronize with the master station depends on operating conditions such as interference. Since you are not part of the "error free" link, your monitor will display retries that occur if the two linked stations you are monitoring experience ARQ errors.

Type ALIST (or AL) repeatedly if you lose synchronization.

---

ALTModem "n"	Default 0
Mode: Command	Host Am

---

"n" - 0 - 2. 0 selects the normal port 2 modems, 1 selects the internal option, (modem 9) and 2 selects the modem disconnect header.

---

ALTModem is a command that has is used in the PK-232 to select an internal modem. It has been retained in the PK-900 for host mode software compatibility and is used to select the radio port 2 internal modem option. ALTModem 0 allows normal port 2 modem selection. (See the MODem command.) ALTModem 1 selects the radio port 2 internal optional modem. A 9600 baud K9NG/G3RUH compatible, internal modem is available.

---

AMtor	Immediate Command
Mode: Command	Host: AM

---

AMTOR is an immediate command that switches Radio Port 1 of your PK-900 into the AMTOR mode. Your PK-900 is automatically placed in ARQ Standby condition.

Your station is then available for automatic access by and response to any AMTOR station that sends your SELCALL. The PK-900 can communicate using either the CCIR 476 (4-character SELCALL) or the CCIR 625 (7-character SELCALL) protocol. Your monitor will also display any inbound FEC (Mode B) transmissions.

See the MYSELCAL and MYIDENT commands to enter your 4 and 7 character SELCALLs.

---

ANalog  
Mode: Command

Immediate Command  
Host: An

---

ANALOG is an immediate command that switches Radio Port 1 of your PK-900 into the ANALOG mode. The Analog mode passes data for communication modes that require "gray scales" such as FAX. Your PK-900 is automatically placed in the ANALOG receive condition. Most PK-900 users will not use this mode the way Packet and Baudot are used. Rather, application programs such as AEA FAX-900 use this mode to process FAX signals allowing gray scale images to be displayed.

In receive, the ANALOG mode enables a zero-crossing audio detector which feeds this information to the computer via the RS-232 serial port. A computer program must further process this information for it to be of any use.

In transmit, the PK-900 takes bytes of binary information from the serial port and converts them to audio frequencies from 900.0 - 2493.75 Hz. This conversion is done in a linear fashion where \$00 corresponds to 900 Hz and \$FF corresponds to 2493.75 Hz. This gives a frequency resolution of 6.25 Hz per step.

This is convenient for FAX transmissions which typically range from 1500 Hz to 2300 Hz. A binary value of \$60 received on the serial port will cause the PK-900 to produce a frequency of 1500 Hz. A binary value of \$E0 causes 2300 Hz to be produced. This allows for fax transmissions with 128 shades of gray.

To use the Analog mode, the program should first set ANSAMPLE then enter the ANALOG mode. ANALOG initializes in the receive state. The following commands function in other operating modes and now control the ANALOG mode as well.

R (Receive): Receive. (return to receive)  
X (Xmit): Data transmit.

Since binary data is often needed for ANALOG transmission, the CONMODE command should be set to TRANSPARENT.

---

ANSample "n"  
Mode: Analog

Default: 2000  
Host: As

Parameters: \_\_\_\_\_

---

"n" - 900 to 65535 decimal specifies a number to be loaded into the 8536 timer chip to control the Analog mode sample rate.

---

The value n is sent directly to the 8536 timer chip to control the sample rate of the ANALOG mode. The number of samples per second is controlled by the following formula:

$$\text{Samples/second} = 2,000,000 / \text{ANSAMPLE.}$$

The default value of n is 2000, meaning 1000 samples/sec. The lower limit on ANSAMPLE (900) corresponds to 2,222 Samples/second. Attempting to set ANSAMPLE to a value lower than 900 (more than 2222 samples per second) produces the "range" error. This limit may change in the future. Presently, the PK-900 may not be able to keep up with values of ANSAMPLE below 1600.

---

ARQ aaaa[aaa]  
Mode: AMTOR

Immediate Command  
Host: AC

Parameters: \_\_\_\_\_

---

aaaa[aaa] - The distant station's 4-character or 7-character SELCALL code.

---

ARQ is an immediate command that starts an AMTOR Mode A (ARQ) SELCALL (SElective CALL) to a distant station.

To begin the Mode A (ARQ) selective call type "ARQ" followed by the other station's SELCALL:

Example: ARQ NNML (4-character SELCALL)  
or ARQ VTMFFFF (7-character SELCALL)

As soon as a <CR> is typed, your PK-900 will begin keying your transmitter on Radio Port 1 in the three-character AMTOR ARQ burst sequence. If the distant station receives and decodes your selective call successfully, the two AMTOR systems synchronize and begin the Mode A (ARQ) AMTOR "handshaking" process.

See the MYSELCAL and MYIDENT commands to enter your 4- and 7- character SELCALLs. Other AMTOR commands are ACHG, ACRRTTY, ADELAY, ALFRTTY, ARQTMO, EAS, HEREIS and RECEIVE.

An ARQ transmission may be terminated by typing <CTRL> D.

---

ARQE  
Mode: Command

Immediate Command  
Host: Ae

---

ARQE is an immediate command that switches Radio Port 1 of the PK-900 into the ARQ-E receiving mode.

ARQ-E is similar to 1-channel TDM, except that the 7-bit code is different. Like TDM most ARQ-E stations send idle signals for long periods of time. The PK-900 can only phase on ARQ-E signals that are idling so this is not a problem.

The SIGNAL Identification (SIAM) mode will identify ARQ-E signals for the user. They are identified as "TDM ARQ-E:4" or "TDM ARQ-E:8," referring to 4- and 8-character repetition cycles used in this mode.

---

ARQTmo "n"	Default: 60
Mode: AMTOR, PACTOR	Host: AO

---

Parameters: \_\_\_\_\_

"n" - 0 to 250 specifies the number of seconds to send an ARQ SELCALL or PAConn before automatic transmitter shutdown.

---

ARQ TMO sets the length of time during which your ARQ SELCALL or PACTOR call will be sent, shutting down automatically. As a general rule, if you can't activate another AMTOR station in the default time of 60 seconds, you can probably assume that the other station can't hear your transmission.

---

ARQTOL "n"	Default: 3
Mode: AMTOR ARQ	Host: AO

---

Parameters: \_\_\_\_\_

"n" - 1 to 5, specifying a relative tolerance for bit boundary jitter.

---

ARQTOL controls the tolerance for received bit boundary jitter in AMTOR ARQ mode. n is a number from 1 (tight tolerance) to 5 (loose tolerance). The number signifies how far away from the expected bit transition time the actual received transition may be, in tenths of a bit (milliseconds). If the transition occurs further away than expected, the received block is counted as an error, even if all three characters in the block appear to be valid AMTOR characters. The default value of ARQTOL 3 is the equivalent of the fixed tolerance of previous firmware releases.

ARQTOL should be set to a low number (tighter tolerance) for applications that require nearly error-free communications. The tradeoff is that good received character blocks are counted as bad if the bit transitions are suspect, thereby causing retransmissions and lowering the effective character rate.

ARQTOL does not affect FEC, SELFEC or ARQ Listen modes.

---

AScii	Immediate Command
Mode: Command	Host: AS

---

ASCII is an immediate command that switches Radio Port 1 your PK-900 into the ASCII mode.

ASCII is the proper mode to use if you wish to use RTTY to transmit text, data or other information containing lower case and special characters not present in the Baudot/Murray and ITA #2 alphabets or character sets. When 8BITCONV is set ON, 8-bit ASCII data may also be sent and received.

Because the ASCII character set requires a minimum of seven bits to define each character, under worst-case conditions, ASCII is more subject to data errors and garbled text than Baudot/ITA#2 at the same data rate.

---

ASPECT "n"	Default: 2 (576)
Mode: FAX	Host: AY

---

Parameters: \_\_\_\_\_

---

"n" - 1 to 6, specifying the number of FAX scan lines the PK-900 displays out of every 6 lines received.

---

ASPECT controls the aspect ratio of the length to the width of a FAX image by controlling the number of lines the PK-900 displays out of each 6 received lines.

On most weather charts, the default of ASPECT 2 keeps the shapes received in the right proportion. On other transmissions, you may want more resolution. See the table below for suggested settings.

CCITT IOCs for narrow and wide carriage printers are given for each ASPECT setting below.

ASPECT	CCITT IOC (narrow)	CCITT IOC (wide)
1	1100	1788
2	550 (Weather Charts 576)	894
3	367 (Wirephotos 352)	596 (Weather Charts 576)
4	275 (WEFAX Satellite 288)	447
5	220	358 (Wirephotos 352)
6	183	298 (WEFAX Satellite 288)

The Index Of Cooperation, or IOC is an international measure of aspect ratio. The formula for the CCITT IOC is:

$$\frac{(\text{vertical scan line density}) \times (\text{horizontal width})}{3.14159}$$

Weather charts are transmitted at a nominal CCITT IOC of 576. ASPECT 2 is so close to this that the charts display with no noticeable distortion.

---

AUdelay "n/n"	Default: 2/2 (20 msec.)
Mode: Baudot, ASCII, FEC, FAX, PACTOR and Packet	Host: AQ

---

Parameters: \_\_\_\_\_

"n" - 0 - 120 specifies in units of 10 msec. intervals, the delay between PTT going active and the start of the transmit AFSK audio tones on each PK-900 Radio Port.

---

In some applications it may be desirable to create a delay from the time that the radio PTT line is keyed and the time that audio is produced from the PK-900. Most notably, on HF when an amplifier is used, arcing of the amplifier relay contacts may occur if drive to the amplifier is applied before the contacts have closed. If arcing occurs, increase AUDELAY for that Radio Port slowly until the arcing stops.

In VHF or UHF FM operation, some synthesized transceivers may produce undesirable spurious emissions, if audio and PTT are applied at the same time. These emissions may be reduced by setting AUDELAY to roughly 1/2 of TXDELAY.

Please note that AUDELAY must always be less than TXDELAY. It is advisable that AUDELAY be set lower than TXDELAY by a setting of 10. For example, you have determined that a TXDELAY of 20 works well for your transceiver. Subtracting 10 from 20 yields 10, which is the recommended setting for AUDELAY. If a setting of AUDELAY of 10 is too short, then set both TXDELAY and AUDELAY higher.

---

AUTOBaud ON OFF	Default: OFF
Mode: Command	Host: Ab

---

Parameters: \_\_\_\_\_

ON - Autobaud Routine always present at Power-ON or RESTART.  
OFF - Autobaud Routine active at Power-ON only if battery jumper is removed.

---

When AUTOBAUD is OFF (default), the unit performs the autobaud function only when powering ON or after a RESET. When AUTOBAUD is ON, the PK-900 performs the autobaud routine EVERY time it is powered ON, and EVERY time the RESTART command is entered. The stored parameters (e.g. MYCALL) are saved if the battery jumper is connected. The unit displays the autobaud message at the same rate as the last setting of TBAUD. AUTOBAUD ON is helpful when moving the unit from one computer to another, where the terminal data rates are different.

In the autobaud routine, only one asterisk (\*) is needed to set the terminal speed TBAUD. The autobaud routine detects 110, 300, 600, 1200, 2400, 4800 and 9600 baud, at either 7 bits even parity, or 8 bits no parity.

---

AWlen "n"	Default: 7
Mode: All	Host: AW

---

Parameters: \_\_\_\_\_

"n" - 7 or 8 specifies the number of data bits per word.

---

The parameter value defines the digital word length used by the RS-232 serial input/output (I/O) terminal port and your computer or terminal program.

AWLEN should be set properly by the PK-900 Autobaud routine. Still you may want to change the ASCII word-length at some time to accommodate a new terminal program you wish to use.

For plain text conversations with the PK-900, an AWLEN of 7 or 8 may be used. For binary file transfers and HOST Mode operation, an AWLEN of 8 MUST be used.

The RESTART command must be issued before a change in word length takes effect. Do NOT change AWLEN unless the terminal can be changed to the same setting.

---

Ax25l2v2 ON OFF/ON OFF	Default: ON/ON
Mode: Packet	Host: AV

---

Parameters: \_\_\_\_\_

ON - The PK-900 uses AX.25 Level 2 Version 2.0 protocol on Port x.  
OFF - The PK-900 uses AX.25 Level 2 Version 1.0 protocol on Port x.

---

This command allows the selection of either the old (version 1) version of the AX.25 packet protocol or the current (version 2.0) protocol on each Radio Port.

Some implementations of version 1 of AX.25 protocol won't properly digipeat Version 2.0 AX.25 packets. Most users run AX.25 version 2 but this command allows returning to the older version if necessary for compatibility.

Some users also prefer to run AX.25 version 1 on HF and version 2 on VHF. The default is to run version 2 on both Radio Ports, but it can easily be changed.



---

AXDelay "n/n"	Default: 0/0 (00 msec.)
Mode: Packet	Host: AX

---

Parameters: \_\_\_\_\_

"n" - 0 to 180 specifies a key-up delay for voice repeater operation in ten-millisecond intervals.

---

AXDELAY specifies the period of time the PK-900 will wait - in addition to the delay set by TXDELAY - after keying the transmitter and before data is sent on each Radio Port.

Packet groups using a standard "voice" repeater to extend the range of the local area network may need to use this feature.

Repeaters with slow electromechanical relays, auxiliary links (or other circuits which delay transmission after the RF carrier is present) require more time to get RF on the air. Try various values to find the best value for "n" if you're using a repeater that hasn't been used for packet operations before. If other packet stations have been using the repeater, check with them for the proper setting. AXDELAY acts together with AXHANG.

---

AXHang "n/n"	Default: 0/0 (000 msec.)
Mode: Packet	Host: AH

---

Parameters: \_\_\_\_\_

"n" - 0 to 20 specifies voice repeater "hang time" in 100-millisecond intervals.

---

AXHANG allows you to increase efficiency when sending packets through an audio repeater that has a hang time greater than 100 milliseconds.

When the PK-900 has heard a packet sent within the AXHANG period, it does not add the repeater key-up delay (AXDELAY) to the key-up time. Try various values to find the best value for "n" if you are using a voice repeater that hasn't been used for packet operations before. If other packet stations have been using the repeater, check with them for the proper setting.

---

BARgraph "n"	Default: 0
Mode: Command	Host: BG

---

Parameters

---

"n" - 0 to 6, selects the type of channel 1 tuning bargraph presentation.

---

Bargraph selects the type of Mark-Space presentation on the LCD 20 segment tuning display.

- 0 - Discriminator Mark-Space display. Tune for maximum separation of the active segments. The active segments should be equidistant from the center of the display.
- 1 - Morse display. Tune for maximum deflection to the right.
- 2 - Center tune display. Tune during signals to the center of the display.
- 3 - Magic eye display. Tune so that the left and right halves of the active segments meet in the middle of the display.
- 6 - Used to light all segments sequentially for self test. Use BAR 1 to 3 to exit the test.

---

BAudot	Immediate Command
Mode: Command	Host: BA

---

BAUDOT is an immediate command that switches the PK-900 into the Baudot mode on Radio Port 1.

Baudot RTTY operation is very common around the world, and is the basis of the telex network and most radio press, weather and point-to-point message services. The Baudot/Murray and ITA #2 character sets do not contain lower case or the special punctuation and control characters found in ASCII. Because the Baudot/ITA #2 code requires only five information bits to define each character, it will generally suffer fewer errors than ASCII code at the same data rate.

---

BBSmsgs ON OFF	Default: OFF
Mode: Packet	Host: BB

---

Parameters:

---

- ON - Makes the PK-900 status messages look like the TAPR-style output.
  - OFF - The PK-900 status messages work as before (default).
- 

When BBSMSGs is ON, some of the status messages change or are suppressed which may improve operation of the PK-900 with some BBS software. The following AEA PK-900 status messages are suppressed or changed if BBSMSGs is ON:

- No "(parm) was (value)"
- No "(parm) now (value)"
- Connect messages: No "; v2; 1 unACKed"
- No "xxx in progress: (dest) via (digis)"
- No space after comma in digipeater lists
- "VIA" in upper case
- If MRPT is ON, digi paths are displayed in TAPR format
- No "\*\*\*\* connect request:"
- No "\*\*\*\* retry count exceeded"
- Sends carriage return before all other "\*\*\*\*"
- No "(callsign) busy" message

---

Beacon EVERY|AFTER "n"/EVERY|AFTER "n" Default: EVERY 0/EVERY 0 (00 sec.)  
Mode: Packet Host: BE

---

Parameters: \_\_\_\_\_

EVERY - Send the beacon at regular intervals.  
AFTER - Send the beacon after the specified time interval without activity.  
"n" - 0 to 250 sets beacon timing in ten-second intervals.  
"0" - Zero turns off the beacon (default).

---

The BEACON command sets the conditions under which your beacon will be sent on each Radio Port.

A beacon frame contains the text that you've typed into the BTEXT message in a packet addressed to the UNPROTO address. When the keyword EVERY is specified a beacon packet is sent every "n" times ten seconds. When AFTER is specified, a beacon is sent after "n" times ten seconds have passed without packet activity.

If you set the BEACON timing less than "90" - a value judged as too short for busy channels - you'll see the following message at each command prompt:

WARNING: BEACON too often

Use Beacons with care and consideration for other users of the Packet channel.

---

BITinv "n" Default: \$00  
Mode: RTTY Host: BI

---

Parameters: \_\_\_\_\_

"n" - 0 to \$1F, (0 to 31 decimal) specifies a number to be exclusive-ORed with every received Baudot character. BITINV 0 is plain text.

---

Bit inversion is used to prevent listeners from reading some commercial Baudot transmissions. Usually either 2 or 3 bits of each character are inverted to give the appearance of an encrypted transmission. Try different settings of BITINV on a Baudot signal after the baud rate has been determined. If you are interested encrypted transmissions try experimenting with the 5BIT command.

---

BKondel ON OFF	Default: ON
Mode: All	Host: BK

---

Parameters: \_\_\_\_\_

- 
- ON - The sequence <BACKSPACE><SPACE><BACKSPACE> is echoed when a character is deleted from the input line.
- OFF - The <BACKSLASH> character <\> is echoed when a character is deleted.
- 

BKONDEL determines how character deletion is displayed in Command or Converse mode. When BKONDEL is ON (default) the <BACKSPACE><SPACE><BACKSPACE> sequence is produced which updates the video display screen erasing the character.

On a printing terminal the <BACKSPACE><SPACE><BACKSPACE> sequence will result in overtyped text. Set BKONDEL OFF if you have a paper-output display, or if your terminal does not respond to the <BACKSPACE> character <CTRL-H>. When BKONDEL is OFF the PK-900 displays a <BACKSLASH> for each character you delete. You can get a display of the corrected input by typing the REDISPLAY-line character.

---

BRight "n"	Default: 50
Mode: Command	Host: BR

---

Parameters: \_\_\_\_\_

- 
- "n" - 0 to 100 specifies the brightness of the LCD backlight.
- 

The bright(ness) command controls the brightness of the LCD backlight. The number "n" controls the duty cycle (percentage) of the backlight. The PK-900 power consumption is dependent on the brightness of the display. The total display backlight current, with "n"=100 is 240 ma.

---

BText text	Default: empty
Mode: Packet	Host: BT

---

Parameters: \_\_\_\_\_

- 
- text - Any combination of characters up to a maximum length of 120 characters.
- 

BTEXT is the content of the data portion of a beacon packet. The default text is an empty string (no message). When and how packet beacons are sent is discussed in more detail under the BEACON command.

Although the beacon subject is controversial in packet circles, you can use beacon texts intelligently and benefit the packet community.

- o Don't type your call sign in BTEXT - the normal packet header shows it.
- o Don't fill BTEXT with screen graphics. Use BTEXT for meaningful information.
- o After you've beacons for a week or two and people know who you are, follow the practice used by more experienced packeteers: SET BEACON EVERY 0!
- o Use a "%," "&," "N," "NO," "NONE," or OFF as the first characters in the text to clear the BTEXT text.

---

CALibrate  
Mode: Command

Immediate Command  
Host: Not Supported

---

CALIBRATE is an immediate command that starts the AFSK transmit tone calibration routine. The PK-900 provides a continuous on-screen display of AFSK generator tone frequencies in Hertz. The CALIBRATE command simplifies transmitter calibration of the AFSK level for each Radio Port.

When Calibration is checked all packet connections will be lost, and the time-of-day clock will not advance until you quit the calibration routine. Commands available in the calibration routine are:

K Toggles the PK-900's PTT and CW keying outputs between ON and OFF.  
Q Quits the calibration routine.  
H Toggles the generator between wide (1000 Hz) and narrow (200 Hz) shift.  
<SPACE> Toggles the audio tone between "mark" (low) and "space" (high) tones.  
D Toggles between transmitting a continuous tone or alternating the mark and space tones at a rate set by the radio baud (HBAUD) rate.

---

CANline "n"  
Mode: All

Default: \$18 <CTRL-X>  
Host: CL

Parameters: \_\_\_\_\_

---

"n" - 0 to \$7F (0 to 127 decimal) specifies an ASCII character code.

---

The parameter "n" is the ASCII code for the character you want to use to cancel an input line. You can enter the code in either hex or decimal.

When you use the CANLINE character to cancel an input line in Command Mode, the line is terminated with a <BACKSLASH> character and a new prompt (cmd:) appears. When you cancel lines in Converse Mode, only a <BACKSLASH> and a new line appear.

- o You can cancel only the line you are currently typing.
- o Once <CR> or <Enter> has been typed, you cannot cancel an input line.

NOTE: If your send-packet character is not <CR> or <Enter>, the cancel-line character cancels only the last line of a multi-line packet.

---

CANPac "n"	Default: \$19 <CTRL-Y>
Mode: Packet, Command	Host: CP

---

Parameters: \_\_\_\_\_

"n" - 0 to \$7F (0 to 127 decimal) specifies an ASCII character code.

---

The parameter "n" is the ASCII code for the character you want to type in order to cancel an input packet or to cancel display output from the PK-900.

You can only cancel the packet that is being entered in CONVERSE Mode. When you cancel a packet, the line is terminated with a <BACKSLASH> and a new line. You must cancel the packet before typing the send-packet character.

In the COMMAND mode, this character cancels displayed output from the PK-900. Typing this character once cancels ALL output from the PK-900 to your display. Typing the cancel-output character again restores normal output.

---

CASedisp "n"	Default: 0 (as is)
Mode: Packet	Host: CX

---

Parameters: \_\_\_\_\_

"n" - 0 to 2 specifies how your PK-900 sends characters to your terminal.

---

CASEDISP allows you to set the case of the characters your PK-900 sends to your terminal. CASEDISP offers three possible modes:

CASEDISP 0	"As is" - characters are not changed.
CASEDISP 1	"lower" - all characters are displayed in lower case only.
CASEDISP 2	"UPPER" - all characters are displayed in upper case only.

CASEDISP has no effect on your transmitted data.

---

CBell ON OFF	Default: OFF
Mode: Packet, PACTOR and AMTOR	Host: CU

---

Parameters: \_\_\_\_\_

ON - Three BELL characters <CTRL-G> (\$07) are sent to your terminal with the "\*\*\* CONNECTED to or DISCONNECTED from (call sign)" message.  
OFF - BELLS are NOT sent with the CONNECTED or DISCONNECTED message.

---

Set CBELL ON if you want to be notified when someone connects to or disconnects from your station in Packet. Bell characters are also sent when someone establishes a link to you in AMTOR.

---

CFrom all,none,yes/no call1[,call2..] / all,none,yes/no call1[,call2..]

Default: all/all

Mode: Packet

Host: CF

Parameters: \_\_\_\_\_

---

call - all, none, YES list, NO list.  
List of up to 8 call signs, separated by commas.

---

CFROM determines how your PK-900 responds to connect requests from other stations on each Radio Port.

CFROM is set to "all/all" when you first start your PK-900.

To reject all call requests on Radio Port 1, type CFROM NONE. Your PK-900 sends the calling station a DM packet, or "busy signal."

To reject all call requests on both Radio Ports, type CFROM NONE/NONE. Your PK-900 sends the calling station a DM packet, or "busy signal."

To accept calls from one or more specific stations on Radio Port 2, type CFROM /YES (followed by a list of calls signs). Connects will be accepted from stations whose call signs are listed after CFROM YES. For example:

```
cmd:cfrom /yes WX1AAA,WX2BBB,WX3CCC,WX4DDD
```

To reject calls from one or more specific stations on Radio Port 1, type CFROM NO (followed by a list of call signs). Connect requests will be ignored from stations whose call signs are listed after CFROM NO.

You can include optional SSIDs specified as "-n" after the call sign. If CFROM is set to "no W2JUP", connect attempts from all SSIDs of W2JUP (W2JUP-0 through W2JUP-15) will be ignored. If CFROM is set to "yes W2JUP-1", then only W2JUP-1 will be allowed to connect. Clear CFROM with "%" "&" or "OFF" as arguments.

---

CHCall ON OFF	Default: OFF
Mode: Packet	Host: CB

---

Parameters: \_\_\_\_\_

---

- ON - Call sign of the distant station IS displayed in multiple connection or multiple port packet operation.
  - OFF - Call sign of the distant station is NOT displayed (default).
- 

With CHCALL ON, the call signs of the distant stations appear after the channel identifier when you are connected to more than one packet station, or on more than one Radio Port. When CHCALL is OFF (default), only the channel designator is displayed in multiple connection operation.

When CHCALL is OFF, the monitored activity looks like this:

```
:0hi John                                {data from Radio Port 1}
hello Mike how goes it?
:A*** CONNECTED to N7GMF                 {data from Radio Port 2}
:Amust be a dx record. ge John
```

When CHCALL is ON, the same contact has the additional underlined information:

```
:0:N7ML:hi John                          {data from Radio Port 1}
hello Mike how goes it?
:A:N7GMF:*** CONNECTED to N7GMF          {data from Radio Port 2}
:Amust be a dx record. ge John
```

---

CHDouble ON OFF	Default: OFF
Mode: Packet	Host: CD

---

Parameters: \_\_\_\_\_

---

- ON - Received CHSWITCH characters appear twice (doubled).
  - OFF - Received CHSWITCH characters appear once (not doubled).
- 

CHDOUBLE ON displays received CHSWITCH characters as doubled characters.

Set CHDOUBLE ON When operating with multiple connections or multiple Radio Ports to tell the difference between CHSWITCH characters received from other stations and CHSWITCH characters generated by your PK-900. In the following example CHDOUBLE is ON and CHSWITCH is set to "|" (\$7C):

```
|| this is a test.
```

The sending station actually transmitted:

```
| this is a test.
```

The same frame received with CHDOUBLE OFF would be displayed as:

```
| this is a test.
```



---

CHeck "n/n"	Default: 30/30 (300 sec.)
Mode: Packet	Host: CK

---

Parameters: \_\_\_\_\_

---

"n" - 0 to 250 specifies the check time in ten-second intervals.  
0 - Zero disables this feature.

---

CHECK sets a time-out value for a packet connection on each Radio Port if the distant station has not been heard from for CHECK times 10 seconds.

Without the CHECK feature, if your PK-900 were connected to another station and the other station disappeared, your PK-900 would remain connected indefinitely, perhaps refusing connections from other stations.

Your PK-900 tries to prevent this sort of "lockup" from occurring depending on the settings of AX25L2V2 and RECONNECT, by using the CHECK timer as follows:

- o If a Version 1 link is inactive for (CHECK times 10 seconds), your PK-900 tries to save the link by starting a reconnect sequence. The PK-900 enters the "connect in progress" state and sends "connect request" frames.
- o If a Version 2 link (AX25L2V2 ON) is inactive and packets have not been heard from the distant end for "n" times 10 seconds, your PK-900 sends a "check packet" to test if the link still exists to the other station. If your PK-900 does not get an answer to the "check packet" after RETRY+1 attempts, it will attempt to reconnect to the distant station.

See the RELINK command for related information.

---

CHSwitch "n"	Default: \$00
Mode: All	Host: CH

---

Parameters: \_\_\_\_\_

---

"n" - 0 to \$FF (0 to 255 decimal) specifies an ASCII character code.

---

CHSWITCH selects the character used by both the PK-900 and the user to show that a new Radio Port or packet logical channel is being addressed. Chapter 4 of this manual contains a detailed description of this procedure.  
DO NOT USE \$30 to \$39 (0 to 9).

If you plan to use both Radio Ports multiple packet connections, you MUST select a CHannel SWITCHing character. This character will be interpreted by the PK-900 to indicate that you want to select another Radio Port or "logical" packet channel. The vertical bar "|" (\$7C) is not used often in conversations and makes a good switching character. To make the Channel Switching character the vertical bar, simply enter the command CHSWITCH \$7C.

To change the logical packet channel you are using with the PK-900, then simply type the vertical bar "|" followed by a number 0 through 9 or a letter A through Z. The numbers 0-9 select a logical channel on Radio Port 1. The letters A-Z indicate a channel on Radio Port 2.

See CHDOUBLE and CHCALL for further information on the use of CHSWITCH.

---

CMdtime "n"	Default: 10 (1000 msec.)
Mode: All	Host: CQ

---

Parameters: \_\_\_\_\_

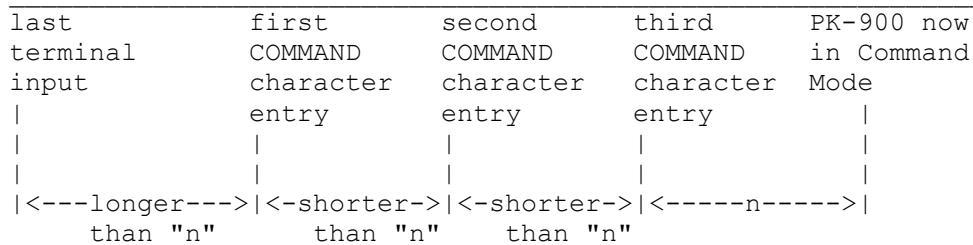
"n" - 0 to 250 specifies TRANSPARENT and HOST Mode time-out value in 100-millisecond intervals.  
If "n" is 0 (zero), exit from TRANSPARENT Mode requires sending the BREAK signal or interruption of power to the PK-900.

---

CMDTIME sets the time-out value in Transparent and HOST Modes. A guard time of "n" times 10 seconds allows escape to Command Mode from Transparent Mode, while permitting any character to be sent as data.

The same Command Mode entry character COMMAND (default <CTRL-C>) is used to exit Transparent Mode, although the procedure is different than from Converse mode. Three Command Mode entry characters must be entered less than "n" times 10 seconds apart, with no intervening characters, after a delay of "n" times 10 seconds following the last characters typed.

The following diagram illustrates this timing:



---

CMSg ON OFF/ON OFF	Default: OFF/OFF
Mode: Packet	Host: CM

---

Parameters: \_\_\_\_\_

ON - The recorded CTEXT message is sent as the first packet after a connection is established by a connect request from a distant station.  
OFF - The text message is not sent at all.

---

CMSG (default OFF) enables or disables automatic transmission of the CTEXT message when your PK-900 accepts a connect request from another station on each Radio Port.

Set CMSG ON to give others a message when they connect to your PK-900 or invite them to leave a message on your MailDrop if you are not there.

See MTEXT for a similar MailDrop message feature.

---

CODe "n"	Default: 0 (International)
Mode: Baudot RTTY, Morse, AMTOR	Host: C1
Parameters:	

---

"n" - 0 to 5 specifies a code from the list below.

CODE	Meaning	Morse	Baudot	AMTOR	Packet
0	International	RX/TX	RX/TX	RX/TX	-
1	US teleprinter	-	RX/TX	RX/TX	-
2	Cyrillic	RX	RX/TX	RX/TX	-
3	Transliterated Cyrillic	RX	RX	RX	-
4	Katakana	RX/TX	-	-	-
5	Transliterated Katakana	RX	-	-	-
6	European	RX	-	-	RX

---

Note that not all the codes in the list above can be transmitted. In the Morse, Baudot and AMTOR columns below, RX means receive only, and RX/TX means both transmit and receive are enabled.

NOTE: FCC Part 97.69 and 97.131 calls for the use of (CODE 0) "International Telegraph Alphabet Number 2" five unit teleprinter code. The Baudot characters "\$", "#" and "&" are NOT permitted for use by US Amateurs.

CODE 0: International

In Morse, this means the International Morse Code.  
 For Baudot and AMTOR, this means the ITA #2 teleprinter code, which is internationally recommended for Baudot and TOR communications and shown below:

LOWER CASE SET													UPPER CASE SET												
1	2	3	4	5	6	7	8	9	0	-	=	?	?	?	?	?	?	?	?	(	)	?	+		
Q	W	E	R	T	Y	U	I	O	P	?	?	Q	W	E	R	T	Y	U	I	O	P	?	?		
A	S	D	F	G	H	J	K	L	?	'	A	S	D	F	G	H	J	K	L	:	?				
Z	X	C	V	B	N	M	,	.	/	Z	X	C	V	B	N	M	,	.	?						

The following special characters are receive only and are used in non-English Morse alphabets.

Morse	Receive
----	ch
-....	c
.-.-	e
--.-	z
--.--	n

In response to requests from European customers, the "national" ITA#2 characters unassigned in the US have been made available for both transmission and reception. FIGS-F, FIGS-G and FIGS-H have been assigned characters according to standard use and are shown below. Note that some national alphabets use these characters for accented letters not appearing in English.

Baudot Character	ITA #2 CODE 0	U.S. CODE 1
FIGS-F		!
FIGS-G	{	&
FIGS-H	}	#
3rd-Q	q	

CODE 1: US Teleprinter

In Morse, this has no effect; the unit will use the International Morse Code and NOT the American Morse code. In Baudot and AMTOR, the US teleprinter character set shown below is used. Users of CODE 1 should be aware of the following:

The US teleprinter code (CODE 1) makes the "!", "\$", "'" and "#" characters available in Baudot and AMTOR. The WRU character, "=" and the "+" characters are lost when CODE is set to 1. Since there is no "+" character in the CODE 1 character set there should be no way to turn over the AMTOR link and change from ISS to the IRS. To avoid this problem, the PK-900 sends a FIGS-Z when the "+" key is pressed in AMTOR and responds to the reception of the "FIGS-Z" "?" sequence so the direction of traffic can be reversed.

US Teleprinter character set.

LOWER CASE SET	UPPER CASE SET
1 2 3 4 5 6 7 8 9 0 -	! # \$ % & ( )
Q W E R T Y U I O P	Q W E R T Y U I O P
A S D F G H J K L ; ' "	A S D F G H J K L : ;
Z X C V B N M , . /	Z X C V B N M , . ?

The differences between ITA #2 and US teleprinter codes are listed below:

Baudot Character	ITA #2 CODE 0	U.S. CODE 1
FIGS-D	WRU	\$
FIGS-F		!
FIGS-G	{	&
FIGS-H	}	#
FIGS-J	BELL	'
FIGS-S	'	BELL
FIGS-V	=	;
FIGS-Z	+	"
3rd-Q	q	

Please Note that for U.S. Amateurs, the F.C.C. regulations require Baudot and AMTOR transmissions follow CCIR Recommendations which require the ITA#2 (CODE 0) be used. Technically it is illegal to use CODE 1 on the U.S. Amateur bands. MARS operators and Amateurs outside the U.S. may however find CODE 1 useful.

CODE 2: Cyrillic

This code causes a translation to an artificially extended ASCII, so that all received characters are converted to single ASCII characters. The character set is one which we believe to be used presently in the USSR.

The extensions used in Morse reception are shown below:

Morse	ASCII	English pronunciation	
.-.-	\$71 q	YA	
---.	\$7E ~	CH	(Morse only)
..--	\$60 ' "	YU	
--.-	\$7D ]	SHCH	
----	\$7B {	SH	

In Baudot and AMTOR, Russian transmitters use a third register to transmit Cyrillic characters in addition to the LTRS and FIGS. They use LTRS to transmit the Roman alphabet. As LTRS and FIGS characters are used to access the first and second registers, they use the BLK or NUL character (00) to access the third register. The PK-900 displays third-register characters as lower case alphabetic characters, and all FIGS characters as in CODE 0 with the following exceptions:

Character	CODE 2	English pronunciation
FIGS-F	\$7C	E
FIGS-G	\$7B {	SH
FIGS-H	\$7D }	SHCH
FIGS-J	\$60 '	YU
3rd-Q	\$71 q	YA

If several words end in "OJ", "OW" or "OGO" the transmission is probably Russian.

There is no separate Baudot combination for the CH character. The Russians use a "4" because the Cyrillic character for CH resembles a "4".

It is safe to leave CODE set to 2 if you are not sure which alphabet the transmitting station is using. You will be able to see the message in either alphabet with minimal garbling, and you can then set CODE to either 0 or 3.

Another interesting side effect of being able to send and receive in CODE 2 is that it is now possible to send and receive both upper and lower case text in Baudot and AMTOR modes. To do this, both stations must have CODE 2 enabled and of course both must be running 1992 or later firmware in their PK-900's. Other users will see only upper case characters and not be aware that anything unusual is happening, as the feature merely inserts NULL characters at strategic times. An AEA PK-900 using CODE 2 in QSO with a unit in CODE 0 (or any other equipment) will exchange data in upper case only, with no adverse effects.

This feature may be advantageous to users of the AMTOR MailDrop who want their messages to be forwarded to the packet network. The ability to send and receive upper and lower case characters in AMTOR should improve message readability when it is translated to Packet and vice versa.

### CODE 3: Transliterated Cyrillic

This code is similar to CODE 2, except that some characters are transliterated into English phonetic equivalents for easier reading.

CODE 2	CODE 3	
w	V	
v	ZH	
h	KH	
c	TS	
~	CH	(Morse only)
{	SH	
]	SHCH	
x	'	
	E	(RTTY only)
'	YU	
q	YA	

CODE 4: Katakana

Katakana is the phonetic character set used in Japan for spelling out words of foreign (to Japan) origin. The Japanese also use Katakana for Morse and some computer communication. There are about 50 Katakana characters. CODE 4 translates the Katakana Morse code into an 8-bit extended version of ASCII. The characters displayed are generally in the range from \$A0 to \$DF, except for numerals and punctuation. If you are using CODE 4, remember to set the PK-900 for AWLEN 8, PARITY 0 and 8BITCONV ON.

CODE 5: Transliterated Katakana

This is similar to CODE 4, except that the extended ASCII is transliterated into English equivalents for easier reading. The Morse characters are translated into 2- and 3-letter syllables.

CODE 6: European

This is primarily for users with German language terminals. The differences in Morse coding are as follows:

Morse	CODE 0	CODE 6
.-.-	\$5B	\$5B
---.	\$5C	\$5C
..--	\$5E	\$5D
---.-	\$5D	

In addition, CODE 6 avoids the use of square brackets (\$5B, \$5D) in monitored packet headers and maildrop prompts, using parentheses instead. US ASCII square bracket characters are used as extended alphabetic characters in most languages outside of English.

---

COMmand "n"	Default: \$03 <CTRL-C>
Mode: All	Host: CN

---

Parameters: \_\_\_\_\_

---

"n" - 0 to \$7F (0 to 127 decimal) specifies an ASCII character code.

---

COMMAND changes the Command Mode entry character (default <CTRL-C>). Type the COMMAND character to enter Command Mode from the Converse, Transparent or HOST Modes. The Command prompt (cmd:) appears, indicating successful entry to Command Mode.

See the CMDTIME command for related information.

---

CONMode CONVERSE TRANS	Default: CONVERSE
Mode: Packet, AMTOR and PACTOR	Host: CE

---

Parameters: \_\_\_\_\_

---

CONVERSE- Your PK-900 enters Converse Mode when a Packet connection or AMTOR Link is established.

TRANS - Your PK-900 enters Transparent Mode when a Packet connection or AMTOR Link is established.

---

CONMODE selects the mode your PK-900 uses after entering the CONNECTED Packet state, or Linked ARQ AMTOR state.

For most packet and AMTOR operation, setting CONMODE to CONVERS (default) is most natural.

---

Connect call1 [VIA call2[,call3...,call9]]	Immediate Command
Mode: Packet and PACTOR	Host: CO

---

Parameters: \_\_\_\_\_

call1 - Call sign of the distant station to which you wish to be connected.  
call2 - Optional call sign(s) of up to eight digipeaters via which you'll be  
-call9 repeated to reach the distant station.

---

Use the CONNECT command to send a Packet connect request to station "call1," directly or via one or more digipeaters (call2 through call9). Each call sign can include an optional SSID "-n" immediately after the call sign.

The CONNECT command works on either Radio Port when the PK-900 is in the Packet mode. Make sure that the correct Radio Port has been selected with the CHSWITCH character as described in Chapter 4 of this manual.

The part of the command line shown in brackets below is optional, and is used only when connecting through one or more digipeaters. Type the digipeater fields in the exact sequence you wish to use to route your packets to destination station "call1." (Don't type the brackets or quotation marks)

VIA call2[, call3...,call9]

You can type the command CONNECT at any time to check the status. If you are trying to connect to another station, you will see the message:

Link state is: CONNECT in progress

If the distant station doesn't "ack" your connect request after the number of tries in RETRY, the CONNECT attempt is canceled. Your monitor displays:

cmd:\*\*\* Retry count exceeded  
\*\*\* DISCONNECTED: (call sign)

In PACTOR, the CONNECT command will return the callsign of the station you are presently linked with. Use the PTCNN command to issue a PACTOR connect.

---

CONPerm ON OFF	Default: OFF
Mode: Packet	Host: CY

---

Parameters: \_\_\_\_\_

ON - The connection on the current channel is maintained.  
OFF - The current channel can be disconnected from the other stations.

---

When ON, CONPERM forces the PK-900 to maintain the current connection, even when frames to the other station exceed RETRY attempts for an acknowledgment.

Should power to the PK-900 fail, the unit will attempt to re-establish the connection if CONPERM is ON and the battery backup in the PK-900 is enabled.



---

CONStamp ON OFF	Default: OFF
Mode: Packet, PACTOR	Host: CG

---

Parameters: \_\_\_\_\_

---

- ON - Connect status messages ARE time stamped.
  - OFF - Connect status messages are NOT time stamped.
- 

CONSTAMP activates time stamping of \*\*\* CONNECTED status messages. If CONSTAMP is ON and DAYTIME (the PK-900's internal clock) is set, the time is sent with CONNECT and DISCONNECT messages. For example, if the clock is set and CONSTAMP is ON, a connect and disconnect sequence appears as follows:

```
cmd:10:55:23 *** CONNECTED to W2JUP
cmd:10:55:59 *** DISCONNECTED: W2JUP
```

---

CONVerse	( K for short )	Immediate Command
Mode: All		Host: Not Supported

---

CONVERSE is an immediate command that causes the PK-900 to switch from the Command Mode into the Converse Mode. The letter "K" may also be used.

Once the PK-900 is in the Converse Mode, all characters typed from the keyboard are processed and transmitted by your radio. To return the PK-900 to the Command Mode, type the Command Mode entry character (default is <CTRL-C>).

---

CPactime ON OFF	Default: OFF
Mode: Packet	Host: CI

---

Parameters: \_\_\_\_\_

---

- ON - Packet transmit timer IS used in Converse Mode.
  - OFF - Packet transmit timer is NOT used in Converse Mode.
- 

CPACTIME activates automatic, periodic packet transmission in the Converse Mode. When CPACTIME is ON, characters are packetized and transmitted periodically as if in Transparent Mode. Local keyboard editing and display features of the Converse Mode are available. See the PACTIME command for a discussion of how periodic packetizing works.

---

CRAdd ON OFF	Default: OFF
Mode: Baudot RTTY	Host: CR

---

Parameters: \_\_\_\_\_

---

ON - Send <CR CR LF> in Baudot RTTY.  
OFF - Send <CR LF> in Baudot RTTY (default).

---

The CRADD command permits you to set the PK-900's "newline" sequence so that an additional carriage return is ADDED automatically at the end of a typed line.

When CRADD is ON the line-end sequence is <CR><CR><LF>. When CRADD is OFF the line-end sequence is <CR><LF>. The double carriage return is required in some RTTY services such as MARS. CRADD has no effect on received data.

---

CStatus [Short]	Immediate Command
Mode: Packet	Host: Not Supported

---

CSTATUS is an immediate command helpful in multiple connections.

When CSTATUS is typed, your monitor displays Link State of all ten logical channels on Radio Port 1 (designated 0-9) and all 26 logical channels on Radio Port 2 (designated A-Z) as well as the current input/output channel as follows:

NOT CONNECTED TO ANY STATION	CONNECTED TO TWO STATIONS
cmd:cs	cmd:cs
Ch. 0 - IO DISCONNECTED	Ch. 0 - IO CONNECTED to WX1AAA
Ch. 1 - DISCONNECTED	Ch. 1 - DISCONNECTED
Ch. 2 - DISCONNECTED	Ch. 2 - DISCONNECTED
Ch. 3 - DISCONNECTED	Ch. 3 - DISCONNECTED
Ch. 4 - DISCONNECTED	Ch. 4 - DISCONNECTED
Ch. 5 - DISCONNECTED	Ch. 5 - DISCONNECTED
Ch. 6 - DISCONNECTED	Ch. 6 - DISCONNECTED
Ch. 7 - DISCONNECTED	Ch. 7 - DISCONNECTED
Ch. 8 - DISCONNECTED	Ch. 8 - DISCONNECTED
Ch. 9 - DISCONNECTED	Ch. 9 - DISCONNECTED
Ch. A - DISCONNECTED	Ch. A - CONNECTED to WX7BBB
.	.
.	.
Ch. Z - DISCONNECTED	Ch. Z - DISCONNECTED

CSTATUS will give a short display if desired. CSTATUS SHORT (or CS S) displays only the current input/output channel or those channels which are connected.

This form of the command is useful to remind you which Radio Port the PK-900 considers to be active. For example, lets say that yesterday your last Packet Connect occurred on Radio Port 2, typing the CSTATUS Short command would show the following:

Ch. A - IO DISCONNECTED

This means that if you want to send data to Radio Port 1, you must first select is with the CHSWITCH character as described in Chapter 4 of this manual.

---

CText text	Default: empty
Mode: Packet	Host: CT

---

Parameters: \_\_\_\_\_

text - Any combination of characters up to a maximum of 120 characters.

---

CTEXT is the "automatic answer" text sent when CMSG is ON. The message is sent only when another station connects to you. A typical CTEXT message might be:

"I'm not available right now. Please leave a message on my MailDrop."

Clear CTEXT with "%", "&", "NO", "NONE" or "OFF", or simply set CMSG OFF.

See MTEXT for a similar feature available for Packet MailDrop connections.

---

---

CWid "n"	Default: \$06 <CTRL-F>
Mode: Baudot, ASCII, RTTY, AMTOR, FAX, FACTOR	Host: CW

---

Parameters: \_\_\_\_\_

The CWID command lets you change the "send CWID" control character typed at the end of your RTTY dialogue.

When the PK-900 reads this character embedded in the text or keyboard input, it switches modes and sends your call sign in Morse code, at the keying speed set by MSPEED. As soon as your call sign has been sent in Morse, the PK-900 turns off your transmitter and returns to receive and displays the command mode prompt "cmd:".

---

---

DAYStamp ON OFF	Default: OFF
Mode: All	Host: DS

---

Parameters: \_\_\_\_\_

ON - The DATE is included in CONSTAMP and MSTAMP displays.

OFF - Only the TIME is included in CONSTAMP and MSTAMP displays.

---

DAYSTAMP activates the date in CONSTAMP and MSTAMP. Set DAYSTAMP ON when you want a dated record of packet channel activity, or when you're unavailable for local packet operation.

---

DAYtime date & time	Default: none
Mode: All	Host: DA

---

Parameters: \_\_\_\_\_

date & time - Current DATE and TIME to set.

---

DAYTIME sets the PK-900's internal clock current date and time. The date & time is used in many modes and should be set when the PK-900 is powered up.

The clock is not set when the PK-900 is turned on. The DAYTIME command displays the "?clock not set" error message until it is set as follows:

yymmddhhmm[ss] (spaces and punctuation are allowed)

Example: cmd:daytime 9108090659

where:

yy is the last two digits of the year  
mm is the two-digit month code (01-12)  
dd is date (01-31)  
hh is the hour (00-23)  
mm is the minutes after the hour (00-59)  
[ss] is the optional seconds

- o Optionally the Dallas Semiconductor DS-1216C SmartWatch may be added to the PK-900. To install this IC carefully remove the 32K RAM IC (U39) and install the SmartWatch in the RAM socket. Then re-install the RAM IC in the socket provided by the SmartWatch.

Be sure and remove the PK-900 Battery Jumper JP3 when the SmartWatch is installed. The DS-1216C will automatically back up the installed RAM IC with its own battery. Leaving the PK-900 battery jumper JP3 connected may deplete the on-board lithium battery.

---

DCdconn ON OFF	Default: OFF
Mode: Packet/FACTOR/AMTOR KISS and RAWHDLC	Host: DC

---

Parameters: \_\_\_\_\_

ON - RS-232 cable Pin 8 follows the state of the CON (or DCD) LCD.  
OFF - RS-232 cable Pin 8 is permanently set high (default).

---

DCDCONN defines how the DCD (Data Carrier Detect) signal affects pin 8 in the RS-232 interface to your computer or terminal. Some programs such as PBBS software require that DCDCONN be ON.

DCDCONN also works in the RAWHDLC and KISS Modes. In RAWHDLC and KISS Modes, no packet connections are known to the PK-900. When DCDCONN is ON, the state of the radio DCD is sent to the RS-232 DCD pin (pin-8). This may be necessary to some host applications that need to know when the radio channel is busy.

---

DELeTe ON OFF	Default: OFF
Mode: All	Host: DL

---

Parameters: \_\_\_\_\_

- ON - The <DELETE> (\$7F) key is used for editing your typing.  
OFF - The <BACKSPACE> (\$08) key is used for editing your typing.
- 

Use the DELETE command to select the key to use for deleting while editing. Set DELETE OFF (default) if you wish to use the <Backspace> key to edit typing mistakes. Set DELETE ON if you wish to use the <Delete> key to edit mistakes.

See the BKONDEL command controls how the PK-900 indicates deletion.

---

DFFrom all,none,yes/no call1[,call2..] / all,none,yes/no call1[,call2..]	Default: all/all
Mode: Packet	Host: DF

---

Parameters: \_\_\_\_\_

- call - all, none, YES list, NO list.  
list of up to eight call signs, separated by commas.
- 

DFROM determines how each Radio Port of your PK-900 responds to stations trying to use your station as a digipeater. DFROM is set to "all/all" when you first start your PK-900. Type DFROM to display the ALL/NONE/YES\_list/NO\_list status of station's call signs whose packets will or will not be repeated.

To prevent all stations from digipeating through Radio Port 1 of your station, type DFROM NONE.

To permit one or more specific stations to digipeat through Radio Port 2 of your station, type DFROM /YES (followed by a list of calls signs). Packets will be digipeated only from stations whose call signs are listed.

To prevent one or more specific stations to digipeat through Radio Port 1 of your station, type DFROM NO (followed by a list of call signs). Packets will not be digipeated from stations whose call signs are listed.

Clear DFROM with "%" "&" or "OFF" as arguments, or type DFROM ALL/ALL.

---

DIDdle: ON OFF	Default: ON
Mode: Baudot, ASCII	Host: DD

---

Parameters: \_\_\_\_\_

- ON - In Baudot, the PK-900 will send the LTRS character when idling.  
In ASCII, the PK-900 sends the NULL (00) character.  
OFF - No characters are sent when idling in transmit.
- 

In RTTY modes, it may be desirable to continue sending data while paused at the keyboard. With DIDDLE on, the PK-900 sends idle characters when waiting for keyboard entry.

---

DIRECT "n"  
Mode: Packet

---

---

Immediate Command  
Host: DQ

---

DIRECT is an immediate command that displays a directory listing of all available PK-900 Modems. When the DIRECT command is given, the modem list is displayed as shown below:

The DIRECT command can also take a modem number as an argument to display only the information on that particular modem.

Radio Port 1		Radio Port 2	
1:	FSK 45 bps 170: 2125/2295	1:	Internal 200: 1070/1270
2:	FSK 100 bps 170: 2125/2295	2:	Internal 200: 2025/2225
3:	FSK 45 bps 200: 2110/2310	3:	Internal 1000: 1200/2200
4:	FSK 100 bps 200: 2110/2310	4:	Internal 1000: 1200/2200 eq
5:	FSK 100 bps 425: 2125/2550	5:	Internal 200: 1180/980
6:	FSK 100 bps 850: 2125/2975	6:	Internal 200: 1850/1650
7:	FSK 100 bps 850: 1275/2125	7:	Internal 800: 2100/1300
8:	Analog 900/2500	8:	Internal 800: 2100/1300 eq
9:	FSK 2400 bps 800: 1300/2100	9:	Internal option: 9600 bps
10:	FSK 300 bps 200: 2110/2310	10:	Modem disconnect header
11:	FSK 1200 bps 1000: 1200/2200		
12:	Morse 750 Hz center frequency		

---

DISCONNE  
Mode: Packet

---

---

Immediate Command  
Host: DI

---

DISCONNE is an immediate command that initiates a disconnect command to the distant station to which you are connected. The DISCONNE command acts on the Radio Port and logical channel you last sent data to. See the discussion in Chapter 4 on switching between logical channels and Radio Ports.

If your disconnect command is successful, your monitor will display:

\*\*\* DISCONNECTED: (call sign)

Other commands can be entered while a disconnect is in progress. New connections are not allowed until the disconnect is completed.

- o If another disconnect command is entered while your PK-900 is trying to disconnect, your PK-900 will instantly switch to the disconnected state.

---

DISPlay [class]  
Mode: Command

Immediate Command  
Host: Not Supported

---

Parameters:

---

class - Optional parameter identifier, one of the following:

(A)sync	display asynchronous port parameters
(B)BS	display AMTOR and Packet MailDrop parameters
(C)haracter	display special characters
(F)ax	display Facsimile parameters
(I)d	display ID parameters
(L)ink	display link parameters
(M)onitor	display monitor parameters
(Q)Modem	display MODEM default parameters
(R)TTY	display RTTY parameters
(S)tep	display Step parameters
(T)iming	display timing parameters
(Z)	display the entire command/parameter list

---

DISPLAY is an immediate command. When DISPLAY is typed without a parameter, the PK-900 responds with a short list of often used parameters.

```
(See also DISPLAY A,B,C,F,I,L,M,R,T,Z)
Connect  Link state is: DISCONNECTED
Opmode   Packet
FRack    5/5 (5 sec.)
HBaud    1200/1200
MAXframe 4/4
Monitor  4/4 (UA DM C D I UI)
MYcall   PK900/PK900
MYSelcal none
PACLen   128/128
RBaud    45
TXdelay  30/30 (300 msec.)
Vhf      ON/ON
```

You can display subgroups of related parameters by specifying the optional class parameter. For example, to display the MailDrop parameters type:

```
disp b
3Rdparty OFF
FREE     16996
KILONFWD ON
Lstmsg   0
MAildrop OFF
MDMon    OFF
MDPrompt Subject:/Enter message, ^Z (CTRL-Z) or /EX to end
MMsg     OFF
MTExt    Welcome to my AEA PK-900 maildrop.
Type H for help.
MYMail   none
TMail    OFF
TMPrompt GA subj/GA msg, '/EX' to end.
```

Command names are shown with UPPER-CASE letters indicating the minimum number of characters required for the command. The lower-case letters indicate the (optional) rest of the command name.

---

DWait "n/n"	Default: 16/16 (160 msec.)
Mode: Packet	Host: DW

---

Parameters: \_\_\_\_\_

---

"n" - 0 to 250 specifies wait time in ten-millisecond intervals.

---

Unless the PK-900 is waiting to transmit digipeated packets, DWAIT forces your PK-900 to pause DWAIT x 10 mSec after last hearing data on the channel, before it begins its transmitter key-up sequence. DWAIT may be set for each Radio Port of the PK-900.

DWAIT is an older way collisions with digipeated packets were avoided. These days the P-PERSISTENT method is generally used. When the PPERSIST command is ON (default) the DWAIT timer is ignored.

---

EAS ON OFF	Default: OFF
Mode: Baudot, ASCII, AMTOR, PACTOR and MORSE	Host: EA

---

Parameters: \_\_\_\_\_

---

ON - Echo characters when actually sent on the air by the PK-900.  
OFF - Echo characters when sent to the PK-900 by the computer.

---

The ECHO-AS-SENT (EAS) command functions in all modes except packet. EAS lets you to choose the way data is displayed on your monitor screen or printer. To display your typing exactly as you are typing the keyboard characters or sending from a disk file, set EAS "OFF" (default). To see the actual data being sent from your PK-900 to your radio and transmitted on the air, set EAS "ON".

When EAS is ON in Morse and Baudot RTTY, you'll see only UPPER CASE characters on your screen - the data actually transmitted to the distant station. When EAS is ON in AMTOR Mode A (ARQ), you'll see characters echoed on your screen only after the distant station has validated (Ack'd) your previous block of three characters. In PACTOR, you will see the data blocks echoed as they are sent. For Packet the MXMIT command should be used.

Nulls (\$00) are not echoed, including the nulls produced by DIDDLE ON in ASCII.



---

Echo ON OFF	Default: ON
Mode: All	Host: EC

---

Parameters: \_\_\_\_\_

- 
- ON - Characters received from the terminal ARE echoed by the PK-900.
  - OFF - Characters are NOT echoed.
- 

The ECHO command controls local echoing by the PK-900 when in Command or Converse Mode. Local echoing is disabled in Transparent Mode.

- o Set ECHO ON (default) if you don't see your typing appear on your display.
- o Set ECHO OFF if you see each character you type doubled.

ECHO is set correctly when you see the characters you type displayed correctly.

---

ERrchar "n"	Default: \$5F (_)
Mode: AMTOR, PACTOR, Morse, NAVTEX and TDM	Host: ER

---

Parameters: \_\_\_\_\_

- 
- "n" - A hexadecimal value from \$00-\$7F used to denote the error character used by the PK-900 for Morse, ARQ, FEC, NAVTEX and TDM.
- 

n is a hex value \$00-7F, default \$5F (underscore). This is the character that the PK-900 displays when it receives a mutilated character in Morse, ARQ, FEC, NAVTEX or TDM. The user may wish to set this character to \$2A (asterisk), \$07 (bell), \$20 (space) or \$00 (null). ERRCHAR ON or ER Y restores the default.

---

EScape ON OFF	Default: OFF
Mode: All	Host: ES

---

Parameters: \_\_\_\_\_

- 
- ON - The <ESCAPE> character (\$1B) is output as "\$" (\$24).
  - OFF - The <ESCAPE> character is output as <ESCAPE> (\$1B) (default).
- 

The ESCAPE command selects the character to be output when an <ESCAPE> character is to be sent to the terminal. The ESCAPE character selection is provided because some computers and terminals interpret the <ESCAPE> character as a special command. Set ESCAPE ON if you have an <ESCAPE> sensitive terminal to avoid unexpected results from accidentally receiving this character.

---

FAX  
Mode: Command

Immediate Command  
Host: FA

---

FAX is an immediate command that switches Radio Port 1 of your PK-900 into the facsimile mode. The FAX mode is available only if the maildrop (or FREE command) shows at least 3742 bytes free. You must kill MailDrop messages until the number reaches this level if you wish to operate FAX.

When the PK-900 is in the FAX mode, Packet operation on Radio Port 2 is disabled. Facsimile transmissions contain so much data, that there is simply not enough time to handle Packet while facsimile data is being transmitted or received.

---

FAXNeg ON|OFF  
Mode: FAX

Default: OFF  
Host: FN

Parameters: \_\_\_\_\_

---

- ON - The white and black senses are reversed
  - OFF - The white and black senses are normal
- 

One might use FAXNEG ON when receiving an image consisting mostly of black, as in a satellite photo. In this case it might help to save your printer ribbon, as well as accentuating features such as cloud cover.

FAXNEG ON is NOT the same as RXREV ON. RXREV reverses the entire signal, including the sync pulses. FAXNEG keeps the sync pulses so that they can be recognized, but reverses the image data.

---

FEC  
Mode: AMTOR Mode B

Immediate Command  
Host: FE

---

FEC is an immediate command that starts an AMTOR FEC (Mode B) transmission on Radio Port 1 of the PK-900. Use FEC for CQ calls in AMTOR. Be sure to include your SELCALL (MYSELCAL) and MYIDENT code in your CQ message so that the distant station can call you back in ARQ.

FEC is necessary for all round table AMTOR contacts. When operating in FEC, let your PK-900 begin each transmission with three to five seconds of idling. The RTTY practice of transmitting a line of RYRYRY is unnecessary on FEC.

You can signify the end of your FEC transmission by typing the changeover sign "+?," internationally recognized as the RTTY equivalent of "KKK." However, in FEC, "+?" is not a software command. You still have to un-key your transmitter (with the RECEIVE, <CTRL> D, or CWID, <CTRL> F, characters or the RCVE, <CTRL> C R, command) as you would in RTTY.

---

Flow ON OFF	Default: ON
Mode: All	Host: FL

---

Parameters: \_\_\_\_\_

ON - Type-in flow control IS active.  
OFF - Type-in flow control is NOT active.

---

When FLOW is ON (default), any character typed on your keyboard causes output from the PK-900 to the terminal to stop until any of the following occurs:

- o A packet is sent on either Port (in Converse Mode)
- o A line is completed (in Command Mode)
- o The packet length on either Port (See PACLEN) is exceeded
- o The current packet or command line is canceled
- o The redisplay-line character is typed
- o The logical packet channel or Radio Port is changed

Setting FLOW ON prevents received data from interfering with your keyboard data entry. When FLOW is OFF, data is sent to the terminal whenever it is available.

---

FRack "n/n"	Default: 5/5 (5 sec.)
Mode: Packet	Host: FR

---

Parameters: \_\_\_\_\_

"n" - 1 to 15, specifying FRame ACKnowledgment timeout in 1 sec. intervals.

---

FRACK is the FRame Acknowledgment time in seconds that your PK-900 will wait for acknowledgment of a sent protocol frame before "retrying" that frame. FRACK may be different for each Radio Port, and in fact a setting of 8 is recommended for HF packet operation.

After sending a packet requiring acknowledgment, the PK-900 waits for FRACK seconds before incrementing the retry counter and sending another frame. If the packet address includes any digipeaters, the time between retries is adjusted to:

Retry interval (in seconds) = "n" x (2 x m + 1)  
(where m is the number of intermediate relay stations.)

When a packet is retried, a random wait time is added to any other wait times. This avoids lockups where two packet stations repeatedly collide with each other.

---

FREE	Immediate Command
Mode: All	Host: FZ

---

Typing "FREE" displays the number of usable bytes left in the MailDrop, as in "FREE 16996." This may be useful to a Host mode application using the MailDrop. The FAX mode is only available only if the FREE command shows at least 3742 bytes free. You must kill MailDrop messages until the number reaches this level if you wish to operate FAX.

---

FRICK "n/n"	Default: 0/0 (0 sec.)
Mode: Packet	Host: FF

---

Parameters: \_\_\_\_\_

---

"n" - 0 to 250, specifying the Frame Acknowledgment timeout for Meteor Scatter work in 10 millisecond intervals.

---

FRICK is a short version of FRACK, meant to be used in packet radio meteor scatter work. If FRICK is 0 (default), the FRACK timer is then in use and the unit operates as before, with the retry timer in units of whole seconds. If FRICK is 1 to 250, FRICK overrides FRACK as the unit's retry timer, and the retry timer is in units of 10 msec. up to 2500 msec. (2.5 seconds).

Unlike FRACK, FRICK does not take into account the number of digipeaters in the connect path. FRICK assumes there are no digipeaters being used.

Note: Do not operate the unit with multiple packet connections while FRICK is active (1-250). In contrast to FRACK, which provides one retry timer per multi-connect channel, there is only one FRICK timer for each radio port in the PK-900. Each logical channel will try to use the same FRICK timer, causing interference to the operation of the other channels.

Due to the sporadic nature of meteor scatter work, a Master/Slave mode can be enabled in the PK-900 with User BIT 18 (UBIT 18). When UBIT 18 OFF, Frame Acknowledge operation is as in previous firmware versions.

When UBIT 18 is ON, a master/slave relationship is established in packet radio connections. This is done to reduce the possibility of simultaneous transmissions by both sides of a packet connection. In this mode, the master station sends either an I-frame or a polling frame upon the expiration of FRICK (or FRACK if FRICK = 0). The FRICK or FRACK timer then starts counting again. The master station therefore sends packets constantly, even if all its I-frames have been acknowledged. The slave station sends nothing, not even I-frames, until it receives a polling frame from the master. A station becomes the master upon its transmission of a SABM (connect) frame; a station becomes the slave upon its transmission of a UA (acknowledgement of the SABM) frame.

Recommended settings for this method of meteor scatter work (both stations should use these settings):

```
UBIT 18 ON
RETRY 0
AX25L2V2 ON (default)
MAXFRAME 1
(CHECK doesn't matter)
FRICK n, where n is large enough to allow the other station time to
send the start of an acknowledgement frame
```

Note: This is an experimental mode and we welcome any comments or suggestions you might have. Please make them in writing and direct them to the AEA Engineering Department. Thank You.

---

FSpeed "n" Default: 2 (120)  
Mode: FAX Host: FS

Parameters: \_\_\_\_\_

---

"n" - 0 to 4 selects the FAX horizontal scan rate from the table below:

---

1:	1 line/Second	60 lines/Minute
2:	2 lines/Second	120 lines/Minute
3:	3 lines/Second	180 lines/Minute
4:	4 lines/Second	240 lines/Minute
0:	1.5 lines/Second	90 lines/Minute

You can tell the scan rate by listening to the signal. Most weather charts are transmitted at 2 lines/Second (default), or 120 lines/Minute. Some facsimile photographs and Japanese news is sent at 60 lines/minute.

With wide-carriage printers, the maximum print densities are reduced. Here are the maximum print densities at various scan speeds and carriage widths:

FSPEED	(LPM)	Standard carriage	Wide carriage
0	90	183 dpi	113 dpi
1	60	275 dpi	169 dpi
2	120	138 dpi	85 dpi
3	180	92 dpi	56 dpi
4	240	69 dpi	42 dpi

---

Fulldup ON|OFF/ON|OFF Default: OFF/OFF  
Mode: Packet Host: FU

Parameters: \_\_\_\_\_

---

ON - Full duplex mode is ENABLED.  
OFF - Full duplex mode is DISABLED.

---

When full-duplex mode is OFF (default), the PK-900 makes use of the DCD (Data Carrier Detect) signal from its modem to avoid collisions. FULLDUP may be set independently for each Radio Port.

When full-duplex mode is ON the PK-900 ignores the DCD signal and acknowledges packets individually.

Full-duplex operation is useful for full-duplex radio operation, such as through OSCAR satellites. It should not be used unless both your station and the distant station can operate in full-duplex.

Graphics "n"  
Mode: FAX

Default: 1 (960 dots)  
Host: GR

Parameters:

"n" - 0 to 6 selects the FAX horizontal graphics dot density printed on the printer from the table below

GRAPHICS determines the horizontal density of dots displayed in FAX mode. The GRAPHICS dot densities for each PRTYPE will be given with the PRTYPE command. Graphics dot-densities as a function of PRTYPE are shown below.

Density in dots/inch (dpi) as a function of GRAPHICS and PRTYPE

PRTYPE	GRAPHICS						
	0	1	2	3	4	5	6
0-3	60	120	120	240	80	72	90
4-7	60	120	120	240	80	72	90
8-9	60	120	144	200	80	72	90
12-19	136	240	144	160	80	72	96
20-21	60	60	60	60	60	72	100
24-27	60	120	144	240	60	72	.
28-29	60	120	.	.	.	.	.
32-35	60	120	120	240	80	72	90
36	60	60	60	60	60	60	60
40-43	60	120	120	120	60	72	144
44-47	72	144	144	72	72	72	72
48-51	80	160	80	80	80	80	80

In using the various GRAPHICS densities above, the user should be aware that not all the combinations or parameters work, especially with the slower printers (100 CPS or less). For example, a combination of PRTYPE 2, FSPEED 4, GRAPHICS 1 and ASPECT 4 would require the printer to print a pattern of 8 dots by 960 every 3 seconds which would mean trouble for a 100 CPS printer. On the other hand, a combination of PRTYPE 2, FSPEED 2, GRAPHICS 0 and ASPECT 2 would work, as it results in a pattern of dots 8 by 480 every 12 seconds. We know the following combinations of dot densities and FSPEED cause trouble.

Dot Density	FSPEED, 8" width (narrow)					FSPEED 13" width (wide)				
	0	1	2	3	4	0	1	2	3	4
60 dpi										
72 dpi										s
80 dpi										x
90 dpi										x
96 dpi									s	x
100 dpi									s	x
120 dpi					s				x	x
136 dpi					x				x	x
144 dpi					x			s	x	x
160 dpi				s	x	x	x	x	x	x
200 dpi				x	x	x	x	x	x	x
240 dpi			s	x	x	x	x	x	x	x

---

HBaud "n/n"	Default: 1200/1200 bauds
Mode: Packet	Host: HB

---

Parameters: \_\_\_\_\_

"n" - values specifying the Packet data rate in bits per second from each Radio Port of the PK-900 to the radio.

---

HBAUD sets the radio ("on-air") baud rate only in the Packet operating mode for each Radio Port. The default is 1200 bits/sec (VHF) for Radio Port 1 and 0 (disabled) on Radio Port 2.

HBAUD has no relationship to your computer terminal program's baud rate. Available HDLC packet data rates "n" include 45, 50, 57, 75, 100, 110, 150, 200, 300, 400, 600, 1200, 2400, 4800 and 9600 bauds.

---

HEAderln ON OFF	Default: ON
Mode: Packet	Host: HD

---

Parameters: \_\_\_\_\_

ON - The header in a monitored packet is printed on a separate line from the text.  
OFF - The header and text of monitored packets are printed on the same line.

---

When HEADERLN is ON (default), the address is shown, followed by a <CR><LF> that puts the packet text on a separate line as shown below:

```
WX1AAA>WX2BBB:  
Go ahead and transfer the file.
```

HEADERLN affects the display of monitored packets. When HEADERLN is OFF, the address information is shown on the same line as the packet text as shown below:

```
WX1AAA>WX2BBB: Go ahead and transfer the file.
```





---

HOMebbs call	Default: (none)
Mode: Packet/MailDrop	Host: HM

---

Parameters: \_\_\_\_\_

---

call - Call Sign of your HOME BBS with which you have made prior arrangements to Auto-Forward.

---

This is the Call Sign of your local or HOME BBS that you will use for Reverse Forwarding messages. You must make special arrangements with the system operator of this BBS to set you up for Reverse Forwarding. The SSID is not compared when matching HOMEBBS to the source call sign of an incoming packet.

---

---

HOST "n"	Default: 0
Mode: All	Host: HO

---

Parameters: \_\_\_\_\_

---

"n" - A hexadecimal value from \$00 through \$FF setting bits from the table below that define the Host operation of the PK-900.

---

The HOST command enables the "computer-friendly" HOST communications mode, over the PK-900's RS-232 link. To cancel HOST mode, send 3-<CTRL-C> characters as if exiting the Transparent mode, or type <CTRL-A> O H O N <CTRL-W>. Sending a Break signal will not cause the PK-900 to exit from the HOST mode.

Bit 0: Controls whether the HOST mode is ON or OFF.

If bit 0 is equal to 0, HOST is OFF.

If bit 0 is equal to 1, HOST is ON.

Bit 1: Controls the local MailDrop access.

If bit 1 is equal to 0, then the Maildrop Send data uses the \$20 block. Read data uses the \$2F block as before. Monitored MXMIT data uses the \$3F (monitored receive) block type.

If bit 1 is equal to 1, then the MailDrop send data uses the \$60 block type. Read data uses the \$70 block type. Monitored MXMIT data uses the \$2F (echoed) block type to differentiate between monitored transmitted and received frames.

Bit 2: Controls the PK-900's extended HOST Mode.

Bits 3-7 are reserved for future use.

To maintain backward compatibility with older programs written to use the ON/OFF form of the HOST command, HOST ON is equivalent to HOST \$01 described above. However programmers must note that HOST now returns a numeric value and not ON or OFF as before.

See AEA's PK-232 or PK-900 Technical Manual for information on Host Mode.

---

HPoll ON OFF	Default: ON
Mode: Host	Host: HP

---

Parameters: \_\_\_\_\_

---

- ON - The HOST Mode program must poll the PK-900 for all data (default).
  - OFF - The HOST Mode program must accept data from the PK-900 at anytime.
- 

When HPOLL is ON (default) the HOST Mode program must poll the PK-900 (using the <CTRL-A> O G G <CTRL-W>) for all data that might be available to be displayed to the screen. When HPOLL is OFF, the HOST Mode program must be able to accept any data from the PK-900 whenever it becomes available.

---

Id	Immediate Command
Mode: AMTOR/ASCII/Baudot/Packet	Host: ID

---

In AMTOR, the ID command acts like the RCVE command, only adding a Morse ID before going back to receive. In ASCII and Baudot, the ID command causes a CW ID to be sent much like an immediate version of the CWID character (CTRL-F). Because the ID command is immediate, the message "Transmit Data Remaining" will be displayed if any unsent data remains in the transmit buffer.

In Packet, ID is an immediate command that sends a special identification packet. The ID command allows you to send a final identification packet when you're taking your station off the air. HID must also be set ON. Be sure that you select the correct Radio Port with the CHSWITCH command before issuing the ID command. If you do not, the ID may be sent to the wrong Radio Port.

The identification consists of a UI-frame, with its data field containing your MYALIAS (if any) and your MYCALL and the word "digipeater". The ID packet is sent only if your PK-900 has digipeated any transmissions since the last automatic identification.

---

ILfpack ON OFF	Default: ON
Mode: Packet	Host: IL

---

Parameters: \_\_\_\_\_

---

- ON - The PK-900 ignores line-feed characters received from the terminal.
  - OFF - The PK-900 transmits all line-feeds received from the terminal.
- 

The ILFPACK command permits you to control the way the PK-900 handles line-feed characters received from your computer or terminal while in the Packet mode.

---

IO ["n"]	Default: none
Mode: All	Host: IO

---

Parameters: \_\_\_\_\_

"n" - A hexadecimal value used to access the PK-900's memory and I/O locations, or read values stored at a specified ADDRESS.

---

The IO command works with the ADDRESS command (ADDRESS \$aabb) and permits access to memory and I/O locations. Use the IO command without arguments to read an I/O location, and with one argument \$0 to \$FF to write to an I/O location. The value in ADDRESS is not incremented after using the IO command.

In ADDRESS \$aabb, where "aa" (01-FF) is the device address, and "bb" is the register address on the device.

If ADDRESS is set to \$00bb, the IO command reads or writes data to the device at I/O address bb. There is no register set-up before the access. This command is used as a programmer's aid and is not needed for normal PK-900 use.

---

JUstify "n"	Immediate Command
Mode: FAX	Host: JU

---

Parameters: \_\_\_\_\_

"n" - 0 to 25 specifies the number of half-inches the facsimile image will be moved closer to the edge of the paper.

---

The number 0-25 is in units of half-inches, or 1/16 of standard (8") paper width. In most cases entering JUSTIFY n will move the image to the left. If LEFTRITE is OFF, then JUSTIFY will move the image to the right.

For example if the left-hand edge of the image is 4-1/2 inches away from the edge of the paper, try entering JUSTIFY 8. This will move the image 4 inches to the left. If this is not enough, you can always enter JUSTIFY 1, which will move the image the additional half-inch to the left.

JUSTIFY should only be needed after a manual start has been issued with the LOCK command in the FAX mode.

---

KILONFWD ON OFF	Default: ON
Mode: Packet/MailDrop	Host: KL

---

Parameters: \_\_\_\_\_

ON - The PK-900 kills messages after they have been Reverse Forwarded.  
OFF - The PK-900 does not kill messages after Reverse Forwarding.

---

Controls the disposition of a message that has been Reverse Forwarded to the station whose call is in HOMEBS. If KILONFWD is ON (default), the message is killed automatically to make room for other messages. If KILONFWD is OFF, the message's status is changed from "F" to "Y."

---

KIss "n"	Default: 0
Mode: Packet	Host: KI

---

Parameters: \_\_\_\_\_

---

"n" - Is a HEX number from \$00 (KISS disabled) through \$FF that enables the KISS mode selected from the table below.

---

The KISS mode must be entered to prepare the PK-900 for KISS operation. TCP/IP and other special applications have been written that require the KISS mode be enabled to operate correctly. For normal AX.25 Packet operation, this command should be left at 0 or OFF (default). When KISS operation is enabled, the PK-900 no longer operates in any other modes on either Radio Port.

The KISS command, takes a numerical argument from \$00 - \$FF. The table below describes available KISS options.

- KISS \$00: KISS disabled (formerly displayed as KISS OFF)
- KISS \$01: Standard KISS (same as KISS ON or KISS YES)
- KISS \$03: Extended KISS
- KISS \$07: Extended KISS + KISS polling enabled
- KISS \$0B: Extended KISS + KISS checksum enabled
- KISS \$0F: Extended KISS + KISS polling and checksum enabled

Note that KISS ON enables standard KISS operation for compatibility with existing applications.

Extended KISS mode adds these commands to the standard commands (\$x0-\$x5):

\$xC signifies data to be transmitted. Unlike the \$x0 command, the \$xC byte is followed by two frame ID bytes, then the data; when the TNC transmits the frame, it notifies the host application by echoing back FEND, the \$xC byte, the two frame ID bytes, and FEND.

\$xE is the polling command, similar to the HOST "GG" command existing in AEA products. Polling makes multi-TNC KISS operation possible. If KISS polling is enabled, the TNC holds received data until the host application sends the poll command. If the TNC is holding no data, it echoes back FEND \$xE FEND. The "x" in "\$xE" must match the number in the KISSADDR command for the TNC to respond.

If KISS checksum is enabled, a checksum byte is added to the end (before the final FEND) of all KISS blocks flowing between the TNC and the host application. The checksum is the exclusive-OR of all other bytes between the FEND bytes, taken before KISS escape transpositions. A checksum is helpful when using multiple TNCs on a marginal RS-232 link. If the PK-900 receives a KISS block with a bad checksum, it does not transmit the data.

In KISS and Raw HDLC modes, the SYSTEM status HOST LCD will be on.

---

KISSAddr "n/n"	Default: 0/1
Mode: Packet	Host: KA

---

Parameters: \_\_\_\_\_

---

"n" - Is a number from 0-15 signifying the KISS address of the TNC's radio port.

---

Radio port addressing is available in the high nibble of the KISS command byte. The PK-900 compares the high nibble of the KISS command byte to KISSADDR only if extended KISS mode is enabled. In this way both radio ports of the PK-900 can be addressed when the extended KISS mode is used. The KISSADDR default sets PK-900 radio port 1 to be KISS address 0 and radio port 2 to address 1.

If the command does not match KISSADDR, the TNC takes no action.  
Exception: the exit-KISS command \$FF works no matter what the value of KISSADDR or the status of extended KISS mode.

---

LAstmsg "n"	Immediate Command
Mode: Packet MailDrop	Host: LA

---

Parameters: \_\_\_\_\_

---

"n" - 0 to 999 specifies the message number of the last MailDrop message.

---

The number 0-999 is the number of the last message sent by a remote user or the SYSOP to the MailDrop. This command is handy for checking the last message sent to your MailDrop system. The LASTMSG command also allows the MailDrop message counter to be set to any value, or simply reset by setting LASTMSG 0.

---

LEftrite ON OFF	Default: ON
Mode: FAX	Host: LR

---

Parameters: \_\_\_\_\_

---

ON - The FAX signal is scanned from left to right  
OFF - The FAX signal is scanned from right to left

---

Occasionally you may come across FAX images that are obviously backwards. Turning LEFTRITE OFF will reverse the scanning direction.

---

Lite ON|OFF/ON|OFF  
Mode: Packet

Default: OFF/OFF  
Host: LI

Parameters: \_\_\_\_\_

---

- ON - The PK-900 will attempt to use the HF Packet Lite extensions.  
OFF - The PK-900 uses AX.25 Level 2 Version 1.0 or 2.0 protocol.
- 

Enables AEA's Packet Lite HF extensions to the AX.25 packet protocol.

A Packet Lite connection is established only if both stations have LITE ON. As with the AX25L2V2 command, LITE may not be changed if the TNC is in a connected state. Setting LITE ON overrides the AX25L2V2 setting, and the unit acts as if AX25L2V2 were ON.

See the section of the Packet Chapter (Chapter 4) regarding Packet Lite operation and restrictions.

---

Lock  
Mode: Morse/Baudot/AMTOR/FAX

Immediate Command  
Host: LO

---

AMTOR and Baudot:

LOCK is an immediate command used to force a LETTERS shift in the received data. This can be helpful if noise has garbled the LTRS character causing FIGURES to be displayed.

FAX:

This is a manual start command for FAX. Normally the transmitting station starts a FAX image with sync pulses so that the receiver automatically lines up with the edge of the paper. If you tune in a signal too late, or there is so much noise that the sync pulses are not detected, you can start reception manually with the LOCK command. If you issue a LOCK to the PK-900, you will probably need to use the JUSTIFY command to properly align the image.

Morse:

LOCK is an immediate command that instructs the PK-900 to lock its timing to the current measured speed of a Morse signal. The LOCK command may improve the PK-900's ability to decode CW signals in the presence of high noise levels.

---

MAildrop ON|OFF  
Mode: Packet

Default: OFF  
Host: MV

Parameters: \_\_\_\_\_

---

- ON - The PK-900 operates as a personal packet BBS or MailDrop.  
OFF - The PK-900 only operates as a normal AX.25 Level 2 TNC (default).
- 

The PK-900's MailDrop is a personal mailbox that uses a subset of the WORLI/WA7MBL PBBS commands. When MailDrop is ON, other stations can connect to your PK-900, leave messages for you or read messages from you.

See the 3RDPARTY, MDCHECK, MDPROMPT, MDMON, MTEXT, MMSG and MYMAIL commands.

---

MARK "n"	Default: Current modem mark frequency
Mode: Command	Host: Mk

---

Parameters: \_\_\_\_\_

"n" - 500 to 3000 specifies the transmit mark frequency in Hz.

---

The MARK command is used to select a non-standard mark tone transmit frequency. The mark tone frequency range is 500 to 3000 Hz. If the MARK command is entered without an argument ("n"), the current mark frequency is displayed.

---

MARsdisp ON OFF	Default: OFF
Mode: Baudot and AMTOR, RTTY	Host: MW

---

Parameters: \_\_\_\_\_

ON - The PK-900 translates received LTRS characters to a <CTRL-O>, and FIGS characters to a <CTRL-N> and sends these to the terminal.  
OFF - The PK-900 operates as before in Baudot and AMTOR (default).

---

The MARSDISP command permits the Baudot and AMTOR operator to detect and display every character including LTRS and FIGS sent by the other station. The ACRDISP and ALFDISP may be turned off to prevent extraneous carriage-returns and Linefeeds from being sent to the display. If this data is retransmitted, ACRRTTY should be 0, and ALFRTTY should be OFF. The <CTRL-O> and <CTRL-N> characters will send LTRS and FIGS respectively.

---

MAXframe "n/n"	Default: 4/4
Mode: Packet	Host: MX

---

Parameters: \_\_\_\_\_

"n" - 1 to 7 signifies a number of packet frames.

---

MAXFRAME limits the number of unacknowledged packets your PK-900 permits on the radio link for each Radio Port. It is also the number of contiguous packets your PK-900 will send in a single transmission.

The "best" value of MAXFRAME depends on your local channel conditions. In most cases of local VHF packet keyboard operation, the default value of MAXFRAME 4 works well. When the amount of traffic is heavy, the path in use is poor as on HF, you are using many digipeaters, you can actually improve your throughput by reducing MAXFRAME. When operating HF packet try setting MAXFRAME to 1.

---

MBELL ON OFF/ON OFF	Default: OFF/OFF
Mode: Packet	Host: ME

---

Parameters: \_\_\_\_\_

- ON - Will send 3 BELL characters to the terminal when the call sign(s) of the station(s) monitored match the MFROM and MTO lists.
- OFF - The PK-900 will not send BELL characters to the terminal due to MONITORED packets.
- 

MBELL can be used to alert the user to the presence of particular packet station(s) on the frequency. For example if you want to be alerted when N7ML appears on Radio Port 2 you would set the following:

```
MBELL ON
MONITOR 0/4
MFROM yes N7ML
MTO NONE
```

When MBELL is ON, packets from and to all stations are displayed, but only those packets matching the MFROM and MTO lists cause the bell to ring.

---

MBx call1[,call2] [-"n"] [ALL]	Default: none
Mode: Packet	Host: MB

---

Parameters: \_\_\_\_\_

- call - The call signs of one or two stations to be monitored.
- "n" - 0 to 15, indicating an optional SSID.
- 

The MBX command permits you to read or record useful or needed data without having to connect or log on to the source station(s).

MBX filters the received packet data so that only packets from the selected station(s) are shown, without headers or repeated frames. MBX overrides normal monitor functions and can show one or both sides of a conversation.

The operation of MBX command is as follows:

- MBX NONE (Default) All monitored frames are shown with their headers.
- MBX ALL Only the data fields in the I-frames and UI frames are shown. Data from retried frames will be shown each time such a frame is monitored. The MFROM and MTO commands are active.
- MBX CALL 1 Only the data in the I and UI frames to or from CALL 1 are shown. CALL 1 can be either the source or destination station. Retried frames are not shown. The MFROM and MTO commands are ignored.
- MBX CALL 1, CALL 2 Only the data in the I and UI frames are shown when CALL 1 is the source and CALL 2 is the destination or vice-versa. Retried frames are not shown. The MFROM and MTO commands are ignored.

A packet connection on any channel inhibits monitoring, if MBX is not set to "none". MCON will only work if MBX is set to "none". Clear MBX with "%" "&" "N" "NO" "NONE" or "OFF" as arguments.



---

MCon "n/n"	Default: 0/0 (none)
Mode: Packet	Host: MC

---

Parameters: \_\_\_\_\_

---

"n" - 0 to 6 signifies various levels of monitor indications

---

Use MCON for selective monitoring of other packet traffic while connected to a distant station. MCON works in similar fashion to MONITOR, but affects your display only while you are connected to another station. A different MCON value may be set for each radio port.

If MCON is set to a value between "1" and "5," frames meant for you are displayed as though monitoring was OFF. You'll see only the data. If MCON is set to "6," frames meant for you are displayed as any other monitored frame. The headers appear together with the data.

The meanings of the parameter values are:

- 0 Monitoring while connected is disabled.
- 1 Only unnumbered (UI) frames resulting from an unconnected transmission are displayed. Use this for an "unproto," roundtable type QSO. This setting also display beacons.
- 2 Numbered (I) frames are also displayed. Use this to monitor connected conversations in progress.
- 3 Connect request (SABM or "C") frames and disconnect (DISC or "D") frames are also displayed with the headers.
- 4 Unnumbered acknowledgment (UA) of connect- and disconnect-state frames are also displayed with either the characters "UA" or "DM" and a header.
- 5 Receive Ready (RR), Receive Not Ready (RNR), Reject (RJ), Frame Reject (FRMR) and (I)-Frames are also displayed.
- 6 Poll/Final bit, PID and sequence numbers are also displayed.

---

MDCheck	Immediate Command
Mode: AMTOR, Packet, PACTOR /MailDrop	Host: M1

---

MDCHECK is an immediate command which allows you to log on to your own MailDrop. After logging on, you can EDIT, LIST, READ, SEND or KILL MailDrop messages.

To use the MDCHECK command, and your PK-900 must not be connected to or linked to any packet, PACTOR or AMTOR stations. For monitoring purposes, local access of the MailDrop is considered a connection. Type "B" (BYE) to quit local control of your MailDrop.

---

MDigi ON OFF	Default: OFF
Mode: Packet	Host: MD

---

Parameters: \_\_\_\_\_

- ON - I and UI frames having your call sign (MYCALL or MYALIAS) as the next digipeater in the field are displayed, regardless of connected status.
- OFF - Normal monitoring as determined by the monitoring mode commands.
- 

MDIGI permits you to display packets when another station uses your station as a digipeater. If you want to monitor ALL traffic that flows through your packet station, set MDIGI ON.

You may not want to see all the data passing through your station, especially if many others use you as a digipeater. In this case set MDIGI OFF (default).

---

MDMon ON OFF	Default: OFF
Mode: AMTOR and Packet/MailDrop	Host: Mm

---

Parameters: \_\_\_\_\_

- ON - Monitor a calling station's activity on your MailDrop.
- OFF - Normal monitoring as determined by the monitoring mode commands.
- 

Set MDMON to ON to monitor activity on your MailDrop.

MDMON permits you to monitor activity on your AMTOR or packet MailDrop showing you both sides of the QSO. Packet headers are not shown while a caller is logged on. When no one is connected to your MailDrop, channel activity is monitored according to the setting of MONITOR.

Set MDMON OFF to cancel MailDrop monitoring. Note that MailDrop connect and link status messages will be displayed even with MDMON OFF. These status messages are important and allow you to see who is connected to your MailDrop. They can be disabled however with the UBIT 13 command. See the UBIT command for more information .

---

MDPrompt text	Default: (see text)
Mode: Packet/PACTOR MailDrop	Host: Mp

---

Parameters: \_\_\_\_\_

- text - Any combination of characters and spaces up to a maximum of 80 bytes.
- 

MDPROMPT is the command line sent to a calling station by your MailDrop in response to a Send message command. The default text is:

"Subject:/Enter message, ^Z (CTRL-Z) or /EX to end"

Text before the first slash is sent to the user as the subject prompt; text after the slash is sent as the message text prompt. If there is no slash in the text, the subject prompt is "Subject:" and the text prompt is from MDPROMPT.

---

MEemory "n"	Default: none
Mode: All	Host: MM

---

Parameters: \_\_\_\_\_

"n" - A hexadecimal value used to access the PK-900's memory locations, or read values stored at a specified ADDRESS.

---

The MEMORY command works with the ADDRESS command (ADDRESS \$aabb) and permits access to memory locations. Use the Memory command without arguments to read a memory, and with one argument \$0 to \$FF to write to a memory location. The value in ADDRESS is incremented after using the MEMORY command.

---

MFilter n1[,n2[,n3[,n4]]]	Default: \$80
Mode: Morse, Baudot ASCII, AMTOR, PACTOR and Packet	Host: MI

---

Parameters: \_\_\_\_\_

"n" - 0 to \$80 (0 to 128 decimal) specifies an ASCII character code. Up to four characters may be specified separated by commas.

---

Use MFILTER to select up to 4 characters to be "filtered," or excluded from Morse, Baudot, ASCII, AMTOR and monitored packets. Parameters "n1," - "n4" are the ASCII codes for the characters you want to filter. The special value of \$80 (default) filters all characters above \$7F and all control-characters except carriage-return (\$0D), linefeed (\$0A), and TAB (\$09).

---

MFrom ALL/NONE or YES/NO call1[,call2..]/ALL/NONE or YES/NO call1[,call2..]	Default: ALL/ALL
Mode: Packet	Host: MF

---

Parameters: \_\_\_\_\_

call - ALL/NONE or YES\_list/NO\_list (list of up to eight call signs, separated by commas).

---

MFROM determines what packets are monitored on each radio port. To monitor all packets, set MFROM to ALL. To stop any packets from being displayed, set MFROM and MTO to NONE.

To display packets from one or more specific stations, type MFROM YES followed by a list of call signs you WANT to monitor packets from. To hide packets from one or more specific stations, type MFROM NO followed by a list of call signs you want NOT to monitor packets from. When using MFROM, set MTO to NONE.

You can include optional SSIDs specified as "-n" after the call sign. If MFROM is set to "NO N6IA," any combination N6IA-0,...N6IA-15 will NOT be monitored. If MFROM is set to "YES N6IA-1," then only N6IA-1 will be monitored. When MFROM and MTO contain different arguments, the following priority applies:

1. ALL,
2. NO\_list,
3. YES\_list,
4. NONE

Clear MFROM with "%" "&" or "OFF" as arguments.

---

MHeard	Immediate Command
Mode: Packet/AMTOR MailDrop	Host: MH

---

MHEARD is an immediate command that displays a list of up to 18 most recently heard stations. Stations that are heard directly are marked with a \* in the heard log. Stations that have been repeated by a digipeater are not marked.

When DAYTIME has been set, entries in the heard log are time stamped. When DAYSTAMP is ON the date is also shown. An example of the MHEARD display is shown below:

DAYSTAMP ON	DAYSTAMP OFF
05-Jul-86 21:42:27 WA1FJW	21:42:27 WA1FJW
05-Jul-86 21:42:24 WA1IXU*	21:42:24 WA1IXU*

Clear the MHEARD list with a "%", "&", "N," "NO," "NONE" or "OFF" as arguments.

---

MId "n/n"	Default: 0/0 (00 sec.)
Mode: Packet	Host: Mi

---

Parameters: \_\_\_\_\_

"n" - 0 - 250 specifies the Morse ID timing in units of 10 second intervals.  
0 (zero) disables this function.

---

If "n" is set to some value from 1 to 250, the PK-900 will periodically issue a 20 wpm Morse ID on any given Radio Port. For example, an MID of 0/177 would cause a Morse ID every 1,770 seconds (29.5 minutes) on Radio Port 2. A Morse ID will only be transmitted if a packet was sent since the last Morse ID. The Morse ID uses TXDELAY, PPERSIST, and DCD.

If MID is set to a value other than 0, ID will force a Morse ID immediately. If both HID and MID are active, the Morse ID will be sent first.

MID normally sends a Morse ID using on/off keying of the low tone. If FSK keying of both tones is desired to prevent stations from transmitting over your Morse ID, see the UBIT 12 command.

---

MMsg ON OFF	Default: OFF
Mode: Packet/AMTOR/PACTOR MailDrop	Host: MU

---

Parameters: \_\_\_\_\_

ON - The stored MTEXT message is sent as the first response after an AMTOR link or Packet connect to the MailDrop is established.  
OFF - The MTEXT message is not sent at all.

---

MMSG enables or disables automatic transmission of the MTEXT message when your AMTOR or Packet MailDrop links with another station.

---

MODem "n/n"  
Mode: All

Default: 11/4  
Host: Mq

Parameters: \_\_\_\_\_

---

"n/n" - 1 to 12/1 to 10 signifies modem numbers from the list below

---

The MODEM command determines what Modem is selected for both Radio Ports of the PK-900. To select, for example modem 10 for Radio Port 1 enter the command:

MODem 10

To select, for example modem 4 for Radio Port 2 enter the command:

MODem /4

To select, for example modems 11 for Radio Port 1 and modem 3 for Radio Port 2, enter the command as:

MODem 11/3

The modems included in the PK-900 can be shown with the DIRECT(ory) command and are listed below:

Radio Port 1		Radio Port 2	
1: FSK 45 bps	170: 2125/2295	1: Internal 200:	1070/1270
2: FSK 100 bps	170: 2125/2295	2: Internal 200:	2025/2225
3: FSK 45 bps	200: 2110/2310	3: Internal 1000:	1200/2200
4: FSK 100 bps	200: 2110/2310	4: Internal 1000:	1200/2200 eq
5: FSK 100 bps	425: 2125/2550	5: Internal 200:	1180/980
6: FSK 100 bps	850: 2125/2975	6: Internal 200:	1850/1650
7: FSK 100 bps	850: 2125/1275	7: Internal 800:	2100/1300
8: Analog 900/2500		8: Internal 800:	2100/1300 eq
9: FSK 2400 bps	800: 1300/2100	9: Internal option	9600 bps
10: FSK 300 bps	200: 2110/2310	10: Modem disconnect	header
11: FSK 1200 bps	1000:1200/2200		
12: Morse 750 Hz center frequency			

cmd:

---

Monitor "n/n"	Default: 4/4 (UA DM C D I UI)
Mode: Packet	Host: MN

---

Parameters: \_\_\_\_\_

---

"n" - 0 to 6 signifies various levels on monitor indications

---

The Monitor command determines what kind of packets on each Radio Port are displayed when the PK-900 is NOT connected to any other packet stations.

The meanings of the parameter values are:

- 0 All packet monitoring functions are disabled.
- 1 Only unnumbered (UI) frames resulting from an unconnected transmission are displayed. Use this for an "unproto," round-table type QSO. This setting also displays beacons.
- 2 Numbered (I) frames are also displayed. I-frames are numbered in order of generation and result from a connected transmission. Use this to monitor connected conversations in progress.
- 3 Connect request (SABM or "C") frames and disconnect (DISC or "D") frames are also displayed with the headers.
- 4 Unnumbered acknowledgment (UA) of connect- and disconnect-state frames are also displayed with either the characters "UA" or "DM" and a header.
- 5 Receive Ready (RR), Receive Not Ready (RNR), Reject (RJ), Frame Reject (FRMR) and (I)-Frames are also displayed.
- 6 Poll/Final bit, PID and sequence numbers are also displayed.

---

MORse	Immediate Command
Mode: Command	Host: MO

---

MORSE is an immediate command that switches Radio Port 1 of your PK-900 into the Morse mode.

Unless you change MSPEED, your PK-900 uses the default Morse transmit speed value of 20 WPM.

---

MProto ON|OFF/ON|OFF  
Mode: Packet

Default: OFF/OFF  
Host: MQ

Parameters: \_\_\_\_\_

---

- ON - Monitors all I and UI frames as before.  
OFF - Monitors only those I and UI frames with a PID byte of \$F0.
- 

This is in response to NET/ROM, which sends frames that have a PID of \$CF, and that contain Control characters. If you want to monitor every frame including those used by NET/ROM, you must turn MPROTO ON. This is setable for each radio port.

---

MRpt ON|OFF/ON|OFF  
Mode: Packet

Default: ON/ON  
Host: MR

Parameters: \_\_\_\_\_

---

- ON - Show digipeater path in the packet header.  
OFF - Show only originating and destination stations in the packet header.
- 

MRPT affects the way monitored packets are displayed for each radio port. When MRPT is ON (default), the call signs of all stations in the digipeat path are displayed. Call signs of stations heard directly are flagged with an asterisk (\*) as shown:

W2JUP-4\*>WA1IXU>W1AW-5>W1AW-4 <I;0,3>:

When MRPT is OFF, only the originating station and the destination stations are displayed are displayed in the monitored packet header as shown below:

W2JUP-4\*>W1AW-4 <I;0,3>:

---

MSpeed "n"  
Mode: Morse

Default: 20 WPM  
Host: MP

Parameters: \_\_\_\_\_

---

- "n" - 5 to 99 signifies your PK-900's Morse transmit speed.
- 

The MSPEED command sets the Morse code keying (transmit) speed for Radio Port 1 of your PK-900 in the Morse Mode. The slowest available Morse code speed is 5 words per minute. When using Morse speeds between 5 and 14 WPM, the transmitted code is sent with Farnsworth spacing at a character speed of 15 words per minute. The spacing between characters is lengthened to produce an overall code rate of 5 to 14 WPM.

---

MStamp ON OFF	Default: OFF
Mode: Packet	Host: MS

---

Parameters: \_\_\_\_\_

---

ON - Monitored frames ARE time stamped.  
OFF - Monitored frames ARE NOT time stamped.

---

The MStamp command activates time stamping of monitored packets. When your PK-900's internal software clock is set, date and time information is available for automatic logging of packet activity and other applications. Remember to set the date and time with the DAYTIME command.

When MStamp is OFF, the packet header display looks like this:

```
W2JUP-4*>KA2EYW-1>AI2Q <I;2,2>:
```

When MStamp is ON and DAYSTAMP is OFF, the display looks like this:

```
22:51:33 W2JUP-4*>KA2EYW-1>AI2Q <I;2,2>:
```

---

MText text	Default: See sample
Mode: AMTOR/PACTOR/Packet MailDrop	Host: Mt

---

Parameters: \_\_\_\_\_

---

text Any printable message up to a maximum of 120 characters.

---

MTEXT is the "MailDrop automatic answer" text similar to CTEXT. If MMSG is ON, the MTEXT message is sent when a station links to your AMTOR or Packet MailDrop. The default text is:

```
"Welcome to my AEA PK-900 maildrop.  
Type H for help."
```

MTEXT can be cleared with a "%", "&", "N," "NO," "NONE" or "OFF" as arguments.



---

MTo ALL/NONE or YES/NO call1[,call2..]/ALL/NONE or YES/NO call1[,call2..]  
Default: none/none  
Mode: Packet Host: MT

Parameters: \_\_\_\_\_

---

call - ALL/NONE or YES\_list/NO\_list (list of up to eight call signs, separated by commas).

---

MTO determines what packets are monitored on each radio port. To monitor all packets, set MTO to ALL. To stop any packets from being displayed, set MTO and MFROM to NONE.

To display packets TO one or more specific stations, type MTO YES followed by a list of call signs you WANT to monitor packets to. To hide packets TO one or more specific stations, type MTO NO followed by a list of call signs you want NOT to monitor packets to. When using MTO, set MFROM to NONE.

You can include optional SSIDs specified as "-n" after the call sign. If MTO is set to "NO N6IA," any combination N6IA-0,...N6IA-15 will NOT be monitored. If MTO is set to "YES N6IA-1," then only N6IA-1 will be monitored.

When MFROM and MTO contain different arguments, the following priority applies:

1. ALL,
2. NO\_list,
3. YES\_list,
4. NONE

Clear MTO with "%" "&" or "OFF" as arguments.

---

MWeight "n" Default: 10  
Mode: All except Packet Host: Mw

Parameters: \_\_\_\_\_

---

"n" - 5 to 15, specifies roughly 10 times the ratio of one dot length to one inter-element space length in transmitted Morse code.

---

A value of 10 results in a 1:1 dot-space ratio. A setting of 5 results in a 0.5:1 ratio, while a setting of 15 (maximum) results in a 1.5:1 ratio. MWEIGHT applies only to the Morse transmit mode and the CW ID in all modes except packet on Radio Port 1.

MWEIGHT does not affect the code output by the MID command.

---

MXmit ON OFF	Default: OFF
Mode: Packet	Host: Mx

---

Parameters: \_\_\_\_\_

ON - Monitor transmitted packets in the same manner as received packets.  
OFF - Do not monitor transmitted packets.

---

When MXMIT is ON, transmitted packets are monitored in the same manner as received packets. The monitoring of transmitted packets is subject to the settings of MONITOR, MCON, MFROM, MTO, MRPT and TRACE. Most transmitted packets occur during connections so MCON should probably be set to a non-zero value.

---

MYAlias call[-n]/call[-n]	Default: none/none
Mode: Packet	Host: MA

---

Parameters: \_\_\_\_\_

call - Alternate packet digipeater identity of your PK-900  
"n" - 0 to 15, an optional substation ID (SSID)

---

MYALIAS specifies an alternate call sign (in addition to the call sign specified in MYCALL) for use as a digipeater only. In some areas wide-coverage digipeater operators change their call sign to a shorter and easier to remember identifier.

---

MYALTcal aaaa	Default: none
Mode: AMTOR	Host: MK

---

Parameters: \_\_\_\_\_

aaaa - Your alternate SElective CALling code (SELCALL)

---

Use the MYALTCAL command to specify an your alternate SELCALL which, under certain conditions, may be convenient or necessary. You can enter an additional SELCALL code not related to your call sign. The alternate SELCALL can be any four alphabetical characters, or can be numeric strings of either four or five numbers. MYALTCAL is generally used for special applications such as receiving network or group broadcasts in AMTOR Mode B Selective (Bs or SELFEC).

---

MYcall call["n"]/call["n"]	Default: PK900/PK900
Mode: Packet, PACTOR	Host: ML

---

Parameters: \_\_\_\_\_

call - Your call sign  
"n" - 0 - 15, indicating an optional substation ID, (SSID)

---

Use the MYCALL command to load your call signs into your PK-900. Radio Port 1 and Radio Port 2 may each have their own Packet callsign.

The "PK900" default call sign is present in your PK-900's ROM for each Radio Port when the system is manufactured. This "artificial call" must be changed for packet or PACTOR operation.

The callsign for each Port may be the same or different, but bear in mind that two or more stations cannot use the same call and SSID on the same frequency. Use a different SSID for each Radio Port if both Ports are on the same band or frequency.

On PACTOR, MYCALL is only used if MYPTCALL is not entered. An SSID in MYCALL is not used in PACTOR and will be ignored.

---

MYIdent aaaaaa[aa]	Default: none
Mode: AMTOR	Host: Mg

---

Parameters: \_\_\_\_\_

aaaaaa[aa] - Specifies the 7-character SELCALL as described in CCIR Rec. 625.

---

The MYIDENT command holds the CCIR Rec. 625 seven-character AMTOR SELCALL.

Amateurs may simply enter their callsign and the PK-900 will automatically translate it to a 7-character SELCALL as shown below:

MYIDENT KA1XYZ becomes MYIDENT KAIXYZZ.

If aaaaaa[aa] is nine numerals, the unit translates the numerals to seven letters according to Recommendation 491. If aaaaaa consists of seven legal characters, the PK-900 accepts the characters without modifying them. Legal SELCALL characters for Rec. 625 are the letters A-Z except G, H, J, L, N and W. If aaaaaa is a string of characters of any length that includes illegal characters, the PK-900 will do the following translation on the characters:

0: O	4: Y	8: B	J: U
1: I	5: S	9: P	L: F
2: Z	6: D	G: C	N: V
3: E	7: T	H: K	W: M

All other letters are unchanged.

If MYSELCAL and MYIDENT are both none (defaults), no incoming ARQ or SELFEC call can establish communications with the unit.

---

MYGate call["n"]	Default: none
Mode: Packet	Host: MY

---

Parameters: \_\_\_\_\_

call - The Call Sign you wish to use for the Gateway.  
"n" - Numeral indicating an optional substation ID (SSID) or extension.

---

Call is the call sign of the Gateway, default "none."

"Call" may have an optional SSID, and must not be the same call sign and SSID as MYCALL or MYMAIL. When another station digipeats via the callsign set in MYGATE, your PK-900 will provide Gateway operation between Radio Port 1 and Radio Port 2 provided both ports are enabled for Packet operation. See Chapter 4 for details of Gateway operation and limitations.

---

MYMail call["n"]	Default: none
Mode: Packet, PACTOR/MailDrop	Host: Ma

---

Parameters: \_\_\_\_\_

call - The Call Sign you wish to use for the MailDrop.  
"n" - Numeral indicating an optional substation ID (SSID) or extension.

---

Call is the call sign of the MailDrop, default "none."

"Call" may have an optional SSID, and must not be the same call sign and SSID as MYCALL. If you do not set MYMAIL, the MailDrop will use the same call sign and SSID as entered in MYCALL. For example, if you have set MYCALL to N7ML then MYMAIL may be N7ML-1 through N7ML-15. You can use the CTEXT and MTEXT messages to inform other stations who connect of your MYCALL and MYMAIL call signs.

---

MYPTcall call	Default: PK900
Mode: PACTOR	Host: Mf

---

Use the MYPTCALL comand to load your call sign into your PK-900. Only radio port 1 will operate on PACTOR.

If you have not loaded a call into the PK-900 with MYPTCALL the call loaded in MYCALL will be used. The difference between MYCALL and MYPTCALL is that MYCALL allows only the dash (-) to be used while MYPTCALL will allow any punctuation with the call.

If calls have not been loaded into either MYCALL or MYPTCALL, the PK-900 will not allow transmission on PACTOR. An error message "Need MYCALL" will be displayed if transmission is attempted.



---

NAVStn all, none, Yes\No (letters)	Default: All
Mode: NAVTEX	Host: NS

---

Parameters: \_\_\_\_\_

---

letters - all, none, YES List, NO List. List of up to 13 letters which may or may not be separated by spaces, commas or TABs.

---

The NAVSTN command uses letter arguments to determine which NAVTEX transmitting stations the PK-900 will print. NAVTEX transmitters are identified by the 26 letters of the alphabet A-Z. The NAVSTN Command allows ALL, NONE or a list of up to 13 letters representing NAVTEX transmitting stations to be Monitored or Rejected.

NAVSTN may be cleared with "%" "&" or "OFF" as arguments.

---

NAvtex	Immediate Command
Mode: All	Host: NA

---

NAVTEX is an immediate command that switches Radio Port 1 of your PK-900 into the NAVTEX receive mode. The PK-900 can accept only, or lock-out certain message classes and transmitting stations with the NAVMSG and NAVSTN commands described above.

For logging purposes, NAVTEX mode uses the setting of DAYTIME to print the date and/or time in front of the preamble if MSTAMP and DAYSTAMP are ON.

---

NEWmode ON OFF	Default: ON
Mode: All	Host: NE

---

Parameters: \_\_\_\_\_

---

ON - The PK-900 automatically returns to the Command Mode at disconnect or return to receive.  
OFF - The PK-900 does not return to Command Mode at disconnect or return to receive.

---

Your PK-900 always switches to a data transfer mode at the time of connection, unless NOMODE is ON. NEWMODE determines how your PK-900 behaves when the link is broken or when the state is changed from Transmit to Receive with the RECEIVE or CWID characters.

When NEWMODE is ON (default) and the link is disconnected, or if the connect attempt fails, your PK-900 returns to Command Mode. If NEWMODE is OFF and the link is disconnected, your PK-900 remains in Converse or Transparent Mode unless you have forced it to return to Command Mode.

---

NOMode ON OFF	Default: OFF
Mode: All	Host: NO

---

Parameters: \_\_\_\_\_

- 
- ON - The PK-900 switches modes only upon explicit command.
  - OFF - The PK-900 changes modes according to NEWMODE.
- 

When NOMODE is OFF (default), your PK-900 switches modes automatically according to NEWMODE. When NOMODE is ON your PK-900 never switches from Converse or Transparent Mode to Command Mode (or vice versa) by itself. Only specific commands (CONVERSE, TRANS, or <CTRL-C>) change the operating mode.

---

NUCr ON OFF	Default: OFF
Mode: All	Host: NR

---

Parameters: \_\_\_\_\_

- 
- ON - <NULL> characters ARE sent to the terminal following <CR> characters.
  - OFF - <NULL> characters ARE NOT sent to the terminal following <CR>s.
- 

The NULLS command sets the number of <NULL> characters that will be sent. Some older printer-terminals require extra time for the printing head to do a carriage return and line feed. NUCR ON solves this problem by making your PK-900 send <NULL> characters (ASCII code \$00) to your computer or terminal.

---

NULf ON OFF	Default: OFF
Mode: All	Host: NF

---

Parameters: \_\_\_\_\_

- 
- ON - <NULL> characters are sent to the terminal following <LF> characters.
  - OFF - <NULL> characters are not sent to the terminal following <LF>s.
- 

Some older printer-terminals require extra time for the printing head to do a carriage return and line feed. NULF ON solves this problem by making your PK-900 send <NULL> characters (ASCII code \$00) to your computer or terminal. The NULLS command sets the number of <NULL> characters that will be sent.

---

NULLs "n"	Default: 0 (zero)
Mode: All	Host: NU

---

Parameters: \_\_\_\_\_

"n" - 0 to 30 specifies the number of <NULL> characters to be sent to your computer or terminal after <CR> or <LF> when NUCR or NULF are set ON.

---

NULLS specifies the number of <NULL> characters (ASCII \$00) to be sent to the terminal after a <CR> or <LF> is sent. NUCR and/or NULF must be set to indicate whether nulls are to be sent after <CR>, <LF> or both. The null characters are sent from your PK-900 to your computer only in Converse and Command Modes.

---

Nums	Immediate Command
Mode: Baudot, AMTOR, TDM	Host: NX

---

In Baudot, AMTOR and TDM receive, the NUMS command, or "N" will force the PK-900 into the FIGS case.

---

OK	Immediate Command
Mode: SIGNAL	Host: OK

---

OK normally follows the SIGNAL command after it has determined the class and speed of the received station. Typing OK will change the commands RXREV, RBAUD or ABAUD and OPMODE to their proper value. If the SIGNAL command did not reveal any useful information, typing OK produces the "?bad" error message. Typing OK when not in the SIGNAL mode produces the "?not while in (mode)" error message.

---

Opmode	Immediate Command
Mode: Command	Host: OP

---

OPMODE is an immediate command that shows the PK-900's current mode of operation on Radio Port 1 as well as system status. Opmode also displays the MORSE speed when in the Morse mode. Use the OPMODE command at any time when your PK-900 is in the Command Mode to display the present operating mode. Here is a typical example:

```
cmd:o
OPmode  AScii  RCVE
```

---

PACket	Immediate Command
Mode: Command	Host: PA

---

Use the PACKET command to switch Radio Port 1 of your PK-900 into packet radio mode from any other operating mode.



---

PACLen "n/n"	Default: 128/128
Mode: Packet	Host: PL

---

Parameters: \_\_\_\_\_

---

- "n" - 0 to 255 specifies the maximum length of the data portion of a packet.  
0 - Zero is equivalent to 256.
- 

PACLEN sets the maximum number of data bytes to be carried in each packet's "information field" on each Radio Port.

Most keyboard-to-keyboard operators use the default value of 128 bytes for routine VHF/UHF packet services. For this reason the default is set to 128 as shown above. On HF Packet PACLEN should be reduced to 64 or less.

Your PK-900 automatically sends a packet when the number of characters you type for a packet equals "n."

---

PACTime EVERY AFTER "n"	Default: AFTER 10 (1000 msec.)
Mode: Packet	Host: PT

---

Parameters: \_\_\_\_\_

---

- "n" - 0 to 250 specifies 100-millisecond intervals.  
EVERY - Packet time-out occurs every "n" times 100 milliseconds.  
AFTER - Packet time-out occurs when "n" times 100 milliseconds elapse without input from the computer or terminal.
- 

The PACTIME parameter sets the amount of time in 100 msec increments that the PK-900 will wait for a character to be received on the serial port before sending a packet in Transparent Mode. The PACTIME parameter is always used in Transparent Mode but is also used in Converse Mode if CPACTIME is ON.

When EVERY is specified, the characters you type are "packetized" every "n" times 100 milliseconds. When AFTER is specified, the characters you type are "packetized" when input from the terminal stops for "n" times 100 milliseconds.

The PACTIME timer is not started until the first character or byte is entered. A value of 0 (zero) for "n" means packets are sent with no wait time.

---

PACTOr	( PT for Short )	Immediate Command
Mode: Command		Host: Pt

---

PACTOr is an immediate command that switches the PK-900 into the PACTOR mode of operation on Radio Port 1.

PACTOR is a mode of data communication that combines some of the features of both AMTOR and packet. The abbreviated command is PT. It has both a linked mode called ARQ and a non-linked mode called unproto.

---

PARity "n"	Default: 3 (even)
Mode: All	Host: PR

---

Parameters: \_\_\_\_\_

"n" - 0 to 3 selects a parity option from the table below.

---

PARITY sets the PK-900's RS-232 terminal parity according to the following:

0 = no parity, 1 = odd parity, 2 = no parity, 3 = even parity

The parity bit, if present, is stripped on input and is not checked in Command and Converse modes. In Transparent mode all eight bits (including parity) are transmitted. The change will not take effect until a RESTART is performed. Be sure to change the computer or terminal to the same parity setting.

---

PASs "n"	Default: \$16 <CTRL-V>
Mode: Packet/ASCII	Host: PS

---

Parameters: \_\_\_\_\_

"n" - 0 to \$7F (0 to 127 decimal) specifies an ASCII character code.

---

PASS selects the ASCII code for the character used for the "pass" input editing commands (default <CTRL-V>). The PASS character signals that the following character is to be included in a packet or ASCII text string.

---

PASSall ON OFF/ON OFF	Default: OFF/OFF
Mode: Packet	Host: PX

---

Parameters: \_\_\_\_\_

ON - Your PK-900 will accept packets with valid or invalid CRCs.

OFF - Your PK-900 will accept packets with valid CRCs only.

---

PASSALL turns off the PK-900's packet error-detecting mechanism and displays received packets with invalid CRCs. This is settable for each Radio Port. PASSALL is normally turned OFF (default); which ensures that packet data is error-free by rejecting packets with invalid CRC fields. When PASSALL is ON, packets are displayed, despite CRC errors. The MHEARD logging is disabled since the call signs detected may be incorrect.

---

PErsist "n/n"	Default: 63/63
Mode: Packet	Host: PE

---

Parameters: \_\_\_\_\_

"n" - 0 to 255 specifies the threshold for a random attempt to transmit.

---

The PERSIST parameter works with the PPERSIST and SLOTTIME parameters to achieve true p-persistent CSMA (Carrier-Sense Multiple Access) in Packet operation. PERSIST is settable on each radio port to allow for different types of operation.

---

PK ["n"]	Default: none
Mode: All	Host: PK

---

Parameters: \_\_\_\_\_

---

"n" - a hex number used to access the PK-900's memory and I/O locations.

---

PK (Peek/Poke) permits access to memory locations. To use the PK command:

- o Set the memory address into the ADDRESS command.
- o Use the PK command without arguments to read that memory location.
- o Use PK with one argument 0-\$FF to write to that memory location.

This command is used as a programmer's aid and is not needed for normal use.

---

PPersist ON OFF/ON OFF	Default: ON/ON
Mode: Packet, PACTOR	Host: PP

---

Parameters: \_\_\_\_\_

---

- ON - The PK-900 uses p-persistent CSMA (Carrier Sense Multiple Access).
  - OFF - The PK-900 uses DWAIT for TAPR-type 1-persistent CSMA.
- 

When PPERSIST is ON (default), the PK-900 uses the PERSIST and SLOTTIME parameters for p-persistent CSMA instead of the older DWAIT CSMA procedure. PPERSIST may be enabled or disabled on each Radio Port.

When your computer has queued data for transmission, the PK-900 monitors the DCD signal from its modem. When the channel clears, the PK-900 generates a random number between 0 and 255. If this number is less-than or equal to "PERSIST", the PK-900 transmits all frames in its queue. If the random number is greater than "P", the PK-900 waits .01 \* SLOTTIME seconds and repeats the attempt. PPERSIST can be used in both KISS and normal AX.25 operation.

---

PRTYPE "n"	Default: 2 (Epson)
Mode: FAX	Host: PY

---

Parameters: \_\_\_\_\_

---

"n" - 0 to 255, specifying a code for dot graphics sequences used in FAX.

---

The following is a list of the different printer graphics types the PK-900 supports the convey the received FAX graphics information to your computer.

PRTYPE	Printer	PRTYPE	Printer
0	Epson	4	IBM
8	Radio Shack (Tandy)	12	Apple (G)
16	Apple (S)	20	old Okidata
24	Okidata	28	Gemini 10, 15
32	Star Micronics	36	GX-100, Gorilla
40	Texas Instruments	44	Genicom
48	Miscellaneous (HP ThinkJet)	52	Citizen
56	NEC	60	Anadex

Unsupported PRTYPE settings are treated as PRTYPE 0.

---

PT200 ON OFF	Default: ON
Mode: PACTOR	Host: PB

---

PACTOR uses an adaptive data rate selection scheme. The normal data rate is 100 baud. If PT200 is ON (default) and conditions permit, the data rate will be automatically shifted to 200 baud. If the error rate becomes too high at 200 baud the data rate will automatically be reduced to 100 baud. There can be conditions where the data rate is frequently shifting, causing a loss in the actual information data rate. When PT200 is OFF, the PACTOR data rate is fixed at 100 baud. See the UCMD command for the PACTOR baud rate threshold settings.

---

PTConn [!]a(aaaaaaa)	Immediate Command
Mode: PACTOR	Host: PG

---

Parameters: \_\_\_\_\_

aaaa(aa) is the call sign of the station to be called.

---

PTConn is an immediate command that starts the PACTOR connect protocol. To start a PACTOR connect, type "PTC" followed by the other station's call sign:

Example: PTC N7ML or, for longpath stations, use the exclamation point before the call: PTC !N7ML.

As soon as the <CR> is typed, the PK-900 will begin keying your transmitter on Radio Port 1 with the PACTOR connect sequence.

---

PTHUFF "n"	Default 0
Mode: PACTOR	Host: PH

---

Parameters: \_\_\_\_\_

"n" - 0 to 3 specifies the type of data compression used in PACTOR.

---

To enhance the effective data rate in PACTOR, a data compression scheme may be automatically enabled. The number "n" corresponds to the type of compression used, with 0 disabling data compression (default).

When PTH is set to 1, Huffman compression will be used if it is more effective. The numbers 2 and 3 are reserved for future compression schemes.

Instead of using the normal 8-bit ASCII representation of a character, Huffman encoding assigns each character a code that may be as few as 2 bits for the most used characters to as long as 15 bits for the least used characters. For English (and most other) languages, the use of Huffman compression results in a smaller number of bits necessary for a given message.

---

PTList	Immediate Command
Mode: PACTOR	Host: PN

---

PTList is an immediate command that switches your PK-900 into the PACTOR listen mode.

You can usually monitor a PACTOR contact between two connected stations using the PACTOR listen mode. Since your station is not part of the error free link, if the CRC check does not produce a correct check sum, nothing will be displayed.

---

PTOver "n"	Default: <CTRL-Z> (\$1A)
Mode: PACTOR	Host: PV

---

"n" - A hexadecimal value from \$00 to \$7F used to select the change-over character used in linked PACTOR.

PTOver is the character, conventionally <CTRL-Z>, that is used to change the direction of data transmission in a linked PACTOR operation. When you are finished transmitting information and you are ready to receive information from the other station, use the PTOver character. Also see AChg.

---

PTSend - "n,x"	Default 1,2
Mode: PACTOR	Host: PD

---

Parameters

"n" - 1 or 2 selects the transmit baud rate  
"x" - 1 to 5 selects the number of times each packet is sent.

---

PTS "nx" initiates an unprotocoled PACTOR transmission. To end the transmission, type <ctrl-D>.

"n"  
1 selects 100 baud,  
2 selects 200 baud.

In order to increase the probability of correct transmission, the unproto PACTOR transmission sends the message data a selected number of times. The parameter x sets the number of times each packet is sent.

The transmission may be started using the default, 100 baud, two repeats, by typing "PTS" without "nx."

Example:

PTSEND 2 3

Sends each packet 3 times at 200 baud.

---

QHpacket "n/n"	Default: 10/2 (Modems 10/2)
Mode: Packet	Host: QH

---

Parameters: \_\_\_\_\_

"n/n" - Modem numbers to be selected when the HF Packet mode is entered.

---

QHPACKET sets the PK-900 modem that will automatically selected when the HF Packet mode is entered. To enter the HF packet mode, the VHF command must be OFF for the selected Radio Port.

See the PACKET and MODEM commands for more information.

---

QMORse "n"	Default: 12 (Modem 12)
Mode: Morse	Host: QO

---

Parameters: \_\_\_\_\_

"n" - Modem number to be selected when the MORSE mode is entered.

---

QMORSE sets the PK-900 modem that will automatically selected when the Morse mode is entered.

See the MORSE and MODEM commands for more information.

---

QRtty "n"	Default: 1 (Modem 1)
Mode: Baudot and ASCII RTTY	Host: QR

---

Parameters: \_\_\_\_\_

"n" - Modem number to be selected when the ASCII or Baudot RTTY modes are entered.

---

QRTTY sets the PK-900 modem that will automatically selected when the Baudot or ASCII RTTY modes are entered.

See the BAUDOT, ASCII and MODEM commands for more information.

---

QSignal "n"	Default: 2 (Modem 2)
Mode: Signal	Host: QS

---

Parameters: \_\_\_\_\_

"n" - Modem number to be selected when the SIGNAL mode is entered.

---

QSIGNAL sets the PK-900 modem that will automatically selected when the SIGNAL Identification mode is entered. See the SIGNAL and MODEM commands for more information.

---

QTDm "n"	Default: 3 (Modem 3)
Mode: TDM	Host: QD

---

Parameters: \_\_\_\_\_

"n" - Modem number to be selected when the TDM receive mode is entered.

---

QTDm sets the PK-900 modem that will automatically selected when the TDM receive mode is entered. See the TDM and MODEM commands for more information.

---

QTor "n"	Default: 2 (Modem 2)
Mode: AMTOR	Host: QT

---

Parameters: \_\_\_\_\_

"n" - Modem number to be selected when the AMTOR mode is entered.

---

QTOR sets the PK-900 modem that will automatically selected when the AMTOR mode is entered. See the AMTOR and MODEM commands for more information.

---

QVpacket "n/n"	Default: 11/4 (Modems 11/4)
Mode: Packet	Host: QV

---

Parameters: \_\_\_\_\_

"n/n" - Modem numbers to be selected when the VHF Packet mode is entered for radio port 1/radio port 2.

---

QVPACKET sets the PK-900 modem that will automatically selected when the VHF Packet mode is entered. To enter the VHF packet mode, the VHF command must be ON for the selected Radio Port.

If the QVpacket argument is entered as "n/n" the default modems for both radio channels will be set. If the argument is entered as "n" the default VHF packet modem for radio channel 1 will be set. If the argument is entered as "/n" the default VHF modem for radio channel two will be set. See the PACKET and MODEM commands for more information.

---

QWide "n"	Default: 7 (Modem 7)
Mode: All	Host: WI

---

"n" - Modem number to be selected when WIDE shift is selected.

---

QWide sets the PK-900 modem that will be selected when the command WIDE is set ON. This command is for software compatibility with PK-232 host mode software.

---

Radio "n1/n2"	Default: 1/2
Mode: All	Host: RA

---

Parameters: \_\_\_\_\_

"n1" - 0 or 1 with 0 meaning Radio Port 1 is OFF and 1 meaning it is ON.  
"n2" - 0 to 2 with 0 meaning Radio Port 2 is OFF and 2 meaning it is ON.

---

The Radio command allows the user to control whether each of the Radio Ports is enabled. Sometimes it is desirable to disable one or both of the Radio Ports when operation on that port is not desired. The RADIO command allows full control by you over operation of each Port.

The first argument controls Radio Port 1. When the first argument is 0 (zero) Radio Port 1 is Disabled. When this first argument is a 1, Radio Port 1 is enabled.

The second argument controls Radio Port 2. When the second argument is 0, (zero) Radio Port 2 is Disabled. When the second argument is a 2, Radio Port 2 is enabled.

When a Radio Port is disabled, the LCD status for that port will be blank.

---

RAWhdlc ON OFF	Default: OFF
Mode: Packet	Host: RW

---

Parameters: \_\_\_\_\_

ON - The PK-900 operates in a raw HDLC packet mode when HOST is ON.  
OFF - The PK-900 operates in standard AX.25.

---

The RAWHDLC command enables the PK-900 to bypass the AX.25 packet implementation and communicate directly with the hardware HDLC (Z8530) on Radio Port 1. HOST mode must be ON to communicate with the PK-900 in the RAW HDLC mode. Packet Operation on Radio Port 2 is disabled during RAW HDLC operation.



---

RBAud "n"	Default: 45 bauds (60 WPM)
Mode: Baudot RTTY	Host: RB

---

Parameters: \_\_\_\_\_

"n" - Specifies the Baudot data rate in bauds from the PK-900 to the radio.

---

RBAUD sets the radio ("on-air") baud rate only in the Baudot operating mode. This value has no relationship to your computer or terminal program's baud rate. Available Baudot data rates include 45, 50, 57, 75, 100, 110, 150, 200 and 300 bauds (60, 66, 75, 100, 132, 145, 198, 264 and 396 WPM).

You may use RBAUD UP (RB U) to go to the next highest Baudot speed or RBAUD DOWN (RB D) to go to the next lowest Baudot speed.

---

Rcve	Immediate Command
Mode: Baudot, ASCII, AMTOR, PACTOR, FAX, Morse	Host: RC

---

RCVE is an immediate command, used in Morse, Baudot, ASCII, ARQ, FEC and FAX modes to switch your PK-900 from transmit to receive.

- o You must return to the Command Mode to use the RCVE command.
- o PACTOR: A single R will generate a protocolled receive while RR will cause an immediate end of transmission and will not turn off the other station.

---

REceive "n"	Default: \$04 <CTRL-D>
Mode: Baudot/ASCII/Morse/AMTOR/PACTOR/FAX	Host: RE

---

Parameters: \_\_\_\_\_

"n" - 0 to \$7F (0 to 127 decimal) specifies an ASCII character code.

---

Parameter "n" is the numeric ASCII code for the character you'll use when you want the PK-900 to return to receive.

The RECEIVE command allows you to insert a character (default <CTRL-D>) in your typed text that will cause the PK-900 to return to receive after all the text has been transmitted.

---

REDispla "n"	Default: \$12 <CTRL-R>
Mode: All	Host: RD

---

Parameters: \_\_\_\_\_

"n" - 0 to \$7F (0 to 127 decimal) specifies an ASCII character code.

---

REDISPLA changes the redisplay-line input editing character.

Parameter "n" is the numeric ASCII code for the character you'll use when you want to re-display the current input line.

Type the REDISPLA character (default <CTRL-R>) to re-display a command or text line you've just typed. This can be helpful when editing a line especially if your terminal does not support <BACKSPACE>. It can also be used in Packet to display a packet that might have been received while you were typing. A <BACKSLASH> is appended to old line, and the corrected line is shown below it.

---

RELink ON OFF/ON OFF	Default: OFF/OFF
Mode: Packet	Host: RL

---

Parameters: \_\_\_\_\_

ON - The PK-900 will try to automatically reconnect the distant station after the link has timed out on retries.  
OFF - The PK-900 will not attempt to re-establish the failed link.

---

Set RELINK ON if you want the PK-900 to automatically try to reconnect to a distant packet station if the link fails. This is settable for each radio port.

---

RESET	Immediate Command
Mode: Command	Host: RS

---

RESET is an immediate command that resets all parameters to PK-900's PROM default settings and reinitializes the PK-900. All personalized parameters, monitor lists and MailDrop messages will be lost.

---

RESptime "n/n"	Default: 0/0 (000 msec.)
Mode: Packet	Host: RP

---

Parameters: \_\_\_\_\_

"n" - 0 to 250 specifies 100-millisecond intervals.

---

RESPTIME adds a minimum delay before your PK-900 sends acknowledgment packets. This delay may run concurrently with the default wait time set by DWAIT and any random wait in effect. RESPTIME may be set for each Radio Port.

During a file transfer, RESPTIME can help avoid data/ack collisions caused by the sending stations TNC pausing briefly between transmitted data frames.

---

RESTART  
Mode: Command

Immediate Command  
Host: RT

---

RESTART is an immediate command that reinitializes the PK-900 while retaining the user's settings. The effect of the RESTART command is the same as turning the PK-900 OFF, then ON again.

RESTART does not reset the values in bBRAM. See the RESET command.

---

REtry "n/n"  
Mode: Packet

Default: 10/10  
Host: RY

Parameters: \_\_\_\_\_

---

"n" - 0 to 15 specifies the maximum number of packet retries.

---

The AX.25 protocol uses the retransmission of frames that have not been acknowledged as a means to insure that ALL transmitted frames are received. The number of retries that the PK-900 will attempt is set by the RETRY command (default 10). If the number of retries is exceeded, the packet link may be lost. The number of retries allowed on each Radio Port may be selected.

---

RFec ON|OFF  
Mode: AMTOR

Default: ON  
Host: RF

Parameters: \_\_\_\_\_

---

ON - Mode B (FEC) signals are displayed in AMTOR Standby (default).  
OFF - Mode B (FEC) signals are not displayed in AMTOR Standby.

---

Turn the RFEC command OFF to prevent the reception and display of all FEC signals received while in AMTOR Standby.

---

RFRame ON OFF	Default: OFF
Mode: Baudot and ASCII RTTY	Host: RG

---

Parameters: \_\_\_\_\_

- 
- ON - Check received Baudot and ASCII characters for framing errors.
  - OFF - Print received Baudot and ASCII characters regardless of errors.
- 

When RFRAME is OFF (default), Baudot and ASCII modes operate as always, that is characters are copied based on the presence of the DCD signal.

When RFRAME is ON, the PK-900 checks received Baudot and ASCII characters for framing errors. A framing error on a character in an asynchronous mode (such as Baudot and ASCII) occurs when the bit in the stop position is detected to be the wrong polarity (the polarity of the start bit is supposed to be space or 0, while the stop bit is supposed to be mark or 1). The unit stops copying characters when 4 out of the last 12 characters had framing errors. Copy resumes when the most recent 12 characters are error-free. This should significantly reduce the copying of garbage characters when no signals are present. When RFRAME is ON, characters are copied based on the recent history of framing errors.

---

RXRev ON OFF	Default: OFF
Mode: Baudot and ASCII RTTY/AMTOR	Host: RX

---

Parameters: \_\_\_\_\_

- 
- ON - Received data polarity is reversed (mark-space reversal).
  - OFF - Received data polarity is normal.
- 

Use the RXREV Command to invert the polarity of the data demodulated from the received mark and space tones.

In some cases, you may be trying to copy a station that's transmitting "upside down" although it is receiving your signals correctly. This is especially true when listening to signals in the Short Wave bands. Set RXREV ON to reverse the data sense of received signals.

Although RXR will reverse the mark and space polarity in PACTOR, the mode is polarity insensitive so RXR will have no effect.

---

SAmple "n"  
Mode: Command

Immediate Command  
Host: SA

Parameters: \_\_\_\_\_

---

"n" - 20 to 255 specifies the sampling rate in baud.

---

This operating mode is for advanced users interested in decoding unknown synchronous data transmissions. SAMPLE is similar to the 5BIT and 6BIT modes, but operates on synchronous data, whereas 5BIT and 6BIT are used on signals known to be asynchronous.

SAMPLE synchronizes up on any regularly-paced data transmission received on Radio

Port 1 and samples the data once per bit, packaging the data in groups and sending the groups to the user for further analysis. The user can use SAMPLE to capture data bits from a synchronous transmission, such as FEC, TDM or an "unknown mode" not identified by the SIGNAL command. The transmission is actually sampled several times per data bit. The PK-900 does a majority vote on the last few samples to represent the value of the data bit.

One use for the SAMPLE command is to record the output to a disk file, then write a program to analyze the results for synchronous/asynchronous, bit sync patterns, data decoding, etc.

SAMPLE data is captured in 6-bit units; the order of bit reception is MSB first, LSB last. The TNC sends the data unit to the user with a constant of hex 30 added to each unit, the same as the 6BIT command. The 6-bit unit is a compromise between hexadecimal and 8-bit binary output. The 6-bit unit yields shorter disk files than 4-bit hexadecimal characters, but encounters no interference from terminal communications programs and the TNC's Converse and Command modes. The 6-bit unit's range of \$30-6F falls within the printable ASCII range, allowing the TNC to insert end-of-line carriage returns that can be ignored by the user's analysis software.

To use SAMPLE, set ACRDISP to a non-zero value such as 77. This will break up the recorded disk file into lines. Tune in the signal, set WIDESHFT ON or OFF as needed, and get the transmission rate from the SIGNAL command. Now type "SAMPLE (rate)". As an example, SIGNAL may identify a transmission as 96 baud TDM; in this case type the following:

```
SAMPLE 96 <Carriage Return>
```

Now begin the capture to a disk file with the terminal program. At the end of the session, edit the disk file and remove any TNC commands that were echoed before or after the received data.

Occasionally SIGNAL will identify a Baudot transmission at a rate that SAMPLE cannot sync up on. This would happen if the Baudot signal had a stop bit duration 1.5 times the data bit duration. In this case, SAMPLE at twice the baud rate and compensate for the doubled data bits in the analysis software. Note that it might be more useful to let the TNC do the start/stop bit work by using the 5BIT command rather than SAMPLE. 5BIT uses RBAUD, and adds a constant of hex 40 to each 5-bit character received.

Note: RXREV does affect the sense of the SAMPLE data.  
RXREV should however not be changed while capturing data.

---

SElfec aaaa[aaa]	Immediate Command
Mode: AMTOR FEC	Host: SE

---

Parameters: \_\_\_\_\_

aaaa - Specifies the distant station's SElective CALling code (SELCALL).

---

The SELFEC command starts a SElective FEC (Mode Bs) transmission to a specific distant station when you enter that station's SELCALL (SElective CALling) code. The SELFEC command must be accompanied by a unique character sequence (aaaa) that contains four or seven alphabetic characters. You do not have to type the SELCALL a second time if you intend to call the same station again right away.

See MYSELCAL and MYIDENT to enter your 4- and 7-character SELCALLs. Other AMTOR commands are ACHG, ACRRTTY, ADELAY, ALFRTTY, ARQTM0, EAS, HEREIS and RECEIVE.

---

SEGment "n"	Default: \$70
Mode: Command	Host: SG

---

Parameters: \_\_\_\_\_

"n" - a hex number used to access a Segment in the PK-900's memory and I/O location map.

---

The SEGMENT command selects the start of a 64k segment of memory that programmers may want to access.

This command is used by programmers in conjunction with the ADDRESS, DATA, IO and PK instructions to access the PK-900 RAM, ROM and I/O locations.

For example: Segment \$70 and address \$9123 points to the physical location \$79123

---

SEndpac "n"	Default: \$0D <CTRL-M>
Mode: Packet	Host: SP

---

Parameters: \_\_\_\_\_

"n" - 0 to \$7F (0 to 127 decimal) specifies an ASCII character code.

---

Use the SENDPAC command to select the character used to cause a packet to be sent in Converse Mode. The parameter "n" is the ASCII code for the character you want to use to force your input to be sent. Use default SENDPAC value \$0D for ordinary conversation with ACRPACK ON to send packets at natural intervals.

---

Signal  
Mode: All

Immediate Command  
Host: SI

---

SIGNAL is an immediate command that causes the PK-900 to enter the Signal Identification and Acquisition Mode (SIAM). The PK-900 will respond with:

Opmode was BAudot  
Opmode now Signal

After a few seconds the PK-900 will show the signals baud rate. A few seconds later it will identify the signal type.

---

SLottime "n/n"  
Mode: Packet

Default: 30/30 (300 msec.)  
Host: SL

Parameters: \_\_\_\_\_

---

"n" - 0 to 250 specifies the time the PK-900 waits between generating random numbers to see if it can transmit.

---

The SLOTTIME parameter works with the PPERSIST and PERSIST parameters to achieve true p-persistent CSMA (Carrier-Sense Multiple Access) in Packet operation. The value for each Radio Port defaults to 30 (300 msec.) for VHF operation. For HF packet operation, a value of 12 is recommended. See the PPERSIST and the PERSIST commands for more information on this parameter.

---

SPACE "n"  
Mode: Command

Default: Current modem space frequency  
Host: Sp

Parameters \_\_\_\_\_

---

"n" - 500 to 3000 specifies the transmit space frequency in Hz.

---

The SPACE command is used to select a non-standard space tone transmit frequency. The space tone frequency range is 500 to 3000 Hz. If the SPACE command is entered without an argument ("nnnn"), the current space frequency is displayed.

---

Squelch ON OFF/ON OFF	Default: OFF/OFF
Mode: Packet	Host: SQ

---

Parameters: \_\_\_\_\_

- ON - Your PK-900 responds to positive-going squelch voltage.  
OFF - Your PK-900 responds to negative-going squelch voltage.
- 

Normally, your PK-900 uses its CSMA (Carrier Sense Multiple Access) circuit to decide whether or not it is clear to transmit on a packet channel. If there are non-packet signals on the channel you're using (such as voice), you will want to use true RF-carrier CSMA by monitoring the squelch line voltage from your radio. If SQUELCH is OFF (default) for a particular Radio port, the PK-900 inhibits transmissions when there is a POSITIVE voltage on the Radio connectors squelch input line. When there is no voltage or NO CONNECTION to this pin, the PK-900 allows packets to be sent.

When SQUELCH is ON, the PK-900 will inhibit packet transmissions when there is 0 volts applied to the squelch input pin on the appropriate Radio connector.

---

SRXall ON OFF	Default: OFF
Mode: AMTOR	Host: SR

---

Parameters: \_\_\_\_\_

- ON - Receive ALL selective (SELFEC) transmissions.  
OFF - Receive only SELCALL-addressed SELFEC transmissions.
- 

SRXALL permits the reception of selectively coded inverse FEC signals normally not available for decoding. Set SRXALL ON to activate this feature on Radio Port 1.

---

STArt "n"	Default: \$11 <CTRL-Q>
Mode: All	Host: ST

---

Parameters: \_\_\_\_\_

- "n" - 0 to \$7F (0 to 127 decimal) specifies an ASCII character code.
- 

Use the START command to choose the user START character (default <CTRL-Q>) you want to use to restart output FROM the PK-900 TO the terminal after it has been halted by typing the user STOP character. See the XFLOW command.



---

STOp "n"	Default: \$13 <CTRL-S>
Mode: All	Host: SO

---

Parameters: \_\_\_\_\_

---

"n" - 0 to \$7F (0 to 127 decimal) specifies an ASCII character code.

---

Use the STOP command to select the user STOP character (default <CTRL-S>) you will use to stop output FROM the PK-900 TO the terminal. See the XFLOW command.

---

TBAud "n"	Default: 1200 bauds
Mode: All	Host: TB

---

Parameters: \_\_\_\_\_

---

"n" - Specifies the data rate in bauds, on the RS-232 serial I/O port.

---

TBAUD sets the baud rate you are using to communicate with the PK-900 from your terminal or computer. Set TBAUD to specify the terminal baud rate to be activated at the next power-on or RESTART. A warning message reminds you of this. Be sure you can set your terminal for the same rate.

The TBAUD command supports the following serial port data rates of 45, 50, 57, 75, 100, 110, 150, 200, 300, 400, 600, 1200, 2400, 4800, 9600, 19200 and 38400 bauds.

Note: The Autobaud routine does not support 38400 bits/sec, so this data rate must be set manually.

---

TClear	Immediate Command
Mode: Command	Host: TC

---

The TCLEAR command clears your PK-900's transmit buffer on the "Logical Channel" you have selected and cancels any further transmission of data when in the Baudot, ASCII, AMTOR, PACTOR or Morse operating modes. In Packet Mode, all data is cleared except for a few remaining packets.

You must be in the Command Mode to use TCLEAR.

---

TDBaud "n"	Default: 96
Mode: TDM	Host: TU

---

Parameters: \_\_\_\_\_

"n" - Specifies the data rate in bauds of the TDM signal you are receiving.

---

The default value of n is 96. TDB can be set to 0-200, but only some of these are legal values:

1-channel: 48, 72, 96

2-channel: 86, 96, 100

4-channel: 171, 192, 200

No error checking is done for values other than above. Bad values result in an internal TDBAUD of 96.

---

TDChan "n"	Default: 0
Mode: TDM	Host: TN

---

Parameters: \_\_\_\_\_

"n" - Specifies the TDM channel number.

---

"n" selects which data channel (default 0) to separate out from the multiplexed TDM signal. n can be set to 0-3, but only some of these have unique effects:

1-channel: No effect.

2-channel: 0 and 2 show Channel A.

1 and 3 show Channel B.

4-channel: 0 shows Channel A.

1 shows Channel B.

2 shows Channel C.

3 shows Channel D.

---

TDm	Immediate Command
Mode: TDM	Host: TV

---

TDm is an immediate command that places Radio Port 1 of the PK-900 in the TDM receive mode. TDm stands for Time Division Multiplexing, also known as Moore code and is the implementation of CCIR Recommendation 342.

Use the PK-900 SIGNAL command first to determine the bit rate and to make sure that the signal is actually TDM. The SIGNAL command can detect one or two channel TDM transmissions.

The TDm command forces bit phasing; do this when changing frequency to another TDM signal. This is also useful when the PK-900 synchronizes on the wrong bit in the character stream, which is likely on a signal which is idling. TDm stations idle MOST of the time, so you may have to leave the PK-900 monitoring for an hour or two before any data is received.

---

TEST  
Mode: Command

Immediate Command  
Host: TE

---

TEST initiates the PK-900 self test function. For the modem self test to operate, both radio ports must have the loopback jumpers installed.

The self test feature tests operating voltages, both radio channel modems and all keying lines. A probe connected to either an internal test point or pin 16 of the serial connector is necessary to test the keying lines.

---

TTime "n"  
Mode: All

Default: \$14 <CTRL-T>  
Host: TM

Parameters: \_\_\_\_\_

---

"n" - 0 to \$7F (0 to 127 decimal) specifies an ASCII character code.

---

The TIME command specifies which control character sends the time-of-day in the text you type into the transmit buffer or into a text file stored on disk.

At transmit time, the PK-900 reads the embedded control code (default <CTRL-T>), reads the time-of-day from the PK-900's internal clock and then sends the time to the radio in the data transmission code in use at that time. If the DAYTIME has not been set, and a control-T will cause the PK-900 to send an asterisk (\*).

When DAYSTAMP is set ON, the date is transmitted with the time.

NOTE: The TIME command cannot be embedded in CTEXT, BTEXT, MTEXT or AAB.

---

TMail ON|OFF  
Mode: AMTOR, PACTOR

Default: OFF  
Host: TL

Parameters: \_\_\_\_\_

---

ON - The PK-900 operates as a personal AMTOR or PACTOR BBS or MailDrop.  
OFF - The PK-900 only operates as a normal CCIR 476 or 625 controller.

---

The PK-900's MailDrop is a personal mailbox that uses a subset of the WORLI/WA7MBL PBBS commands and is similar to operation of APLINK stations. When TMAIL is ON and another station establishes an ARQ link with your MYSELCAL or MYIDENT, the remote AMTOR station may leave messages for you or read messages from you. Third-party messages are not accepted by your AMTOR MailDrop unless 3RDPARTY is ON.

See the MDCHECK, TMPROMPT, MDMON, MTEXT, MMSG MYSELCAL and MYIDENT commands.

---

TMPrompt text	Default: (see text)
Mode: AMTOR/MailDrop	Host: Tp

---

Parameters: \_\_\_\_\_

---

text - Any combination of characters and spaces up to a maximum of 80 bytes.

---

TMPROMPT is the command line sent to a calling station by your AMTOR MailDrop in response to a Send message command. The default text is:

"GA subj/GA msg, '/EX' to end."

Text before the first slash is sent to the user as the subject prompt; text after the slash is sent as the message text prompt. If there is no slash in the text, the subject prompt is "SUBJECT:" and the text prompt is from TMPROMPT.

---

TRACe ON OFF	Default: OFF
Mode: Packet/FAX/Baudot/AMTOR/PACTOR/Analog	Host: TR

---

Parameters: \_\_\_\_\_

---

ON - Trace function is activated.  
OFF - Trace function is disabled.

---

#### Packet:

The TRACE command activates the AX.25 protocol display. When TRACE is ON all received frames are displayed in their entirety, including all header information. The TRACE display is shown as it appears on an 80-column display. The following monitored frame is a sample:

W2JUP\*>TESTER <UI>:

This is a test message packet.

Byte	Hex	Shifted ASCII	ASCII		
000: A88AA6A8	8AA460AE	6494AAA0	406103F0	TESTER0W2JUP 0.x	.....`.d...@a..
010: 54686973	20697320	61207465	7374206D	*449.49.0.:29:.6	This is a test m
020: 65737361	67652070	61636B65	742E0D	299032.80152:..	essage packet...

The byte column shows the offset into the packet of the first byte of the line. The hex display column shows the next 16 bytes of the packet, exactly as received, in standard hex format. The shifted ASCII column decodes the high-order seven bits of each byte as an ASCII character code. The ASCII column decodes the low-order seven bits of each byte as an ASCII character code.

#### FAX and Analog:

When Operating in FAX mode, TRACE is ON, and PRFAX is OFF, the graphics escape sequences and data bytes are sent to the terminal with each byte expanded to two Hexadecimal characters. This helps get around the limitations of many terminal programs that do not allow 8-bit data to be saved to disk as an ASCII file.

Interspersed command prompts and even the L and R commands would have no effect on the final data and it could be translated back to binary data with a computer program.

---

Trans	Immediate Command
Mode: All	Host: Not Supported

---

TRANS is an immediate command that switches the PK-900 switch from the Command Mode to Transparent Mode. The current state of the radio link is not affected. Transparent Mode is primarily useful for computer communications. In Transparent Mode "human interface" features such as input editing, echoing of input characters, and type-in flow control are disabled.

- o Use Transparent Mode for transferring binary or other non-text files.
- o To exit the Transparent mode, type the COMMAND character (default <CTRL-C>) three times within the time period set by CMDTIME (default 1 Second).

---

TRFlow ON OFF	Default: OFF
Mode: Transparent	Host: TW

---

Parameters: \_\_\_\_\_

- ON - Software flow control for the computer or terminal RECEIVING data is activated in Transparent Mode.
- OFF - Software flow control for the computer or terminal RECEIVING data is disabled in Transparent Mode.

---

When TRFLOW is ON, the type of flow control used by the computer RECEIVING data in Transparent Mode is determined by how START and STOP are set.

When TRFLOW is OFF, only "hardware" flow control (RTS, DTR) is available to the computer RECEIVING data from the PK-900 in Transparent Mode.

If TRFLOW is ON, and START and STOP are set to values other than zero, software flow control is enabled for the user's computer or terminal. The PK-900 responds to the user START and user STOP characters while remaining transparent to all other characters from the terminal.

---

TRIES "n"	Default: 0
Mode: Packet	Host: TI

---

Parameters: \_\_\_\_\_

- "n" - 0 to 15 specifies the current RETRY level on the selected input channel.

---

TRIES retrieves (or forces) the count of "retry counter" on the data channel presently selected.

If you type TRIES without an argument, the PK-900 returns the current number of tries if an outstanding unacknowledged frame exists. If no outstanding unacknowledged frame exists, the PK-900 returns the number of tries required to get an ACK for the previous frame.

If you type TRIES with an argument the "tries" counter is forced to the entered value. Using this command to force a new count of tries is not recommended.

---

TXdelay "n/n"	Default: 30/30 (300 msec.)
Mode: Packet, Baudot and ASCII	Host: TD

---

Parameters: \_\_\_\_\_

"n" - 0 to 120 specifies ten-millisecond intervals.

---

The TXDELAY command tells your PK-900 how long to wait before sending packet frame data after keying your transmitter's PTT line. All transmitters need some amount of start-up time to put a signal on the air. This parameter should be set separately for Radio Port 1 and Radio Port 2 since it is unlikely that the radio transmitters on each port will require exactly the same amount of key-up time. The default value of 300 msec is a good starting point should work with almost all transceivers.

In fact many of the newer transceivers can use smaller TXDELAY values. Crystal controlled transceivers can often use smaller values as well. On the other hand, tube-type transceivers and amplifiers can require a longer time to switch and may require TXDELAY to be increased. Experiment with the value to determine the shortest setting you can use in reliably in Packet.

Baudot and ASCII use TXDELAY between PTT ON and the start of transmitted data.

---

TXFlow ON OFF	Default: OFF
Mode: Transparent	Host: TF

---

Parameters: \_\_\_\_\_

ON - Software flow control for the PK-900 is active in Transparent Mode.  
OFF - Software flow control for the PK-900 is disabled in Transparent Mode.

---

When TXFLOW is ON, the setting of XFLOW determines the type of flow control used in Transparent Mode by the PK-900 to control TRANSMITTED data.

When TXFLOW is OFF, the PK-900 uses only hardware flow control to control TRANSMITTED data; all data sent to the terminal remains fully transparent.

When TXFLOW and XFLOW are ON, the PK-900 uses the Start and Stop characters (set by XON and XOFF) to control the input from the computer.

---

TXRev ON OFF	Default: OFF
Mode: All	Host: TX

---

Parameters: \_\_\_\_\_

ON - Transmit data polarity is reversed (mark-space reversal).  
OFF - Transmit data polarity is normal.

---

Use the TXREV Command to reverse the mark and space in the transmitted AFSK and FSK signals.

In some cases, the station you're working may be receiving inverted data although it is transmitting in correct polarity. Set TXREV ON to reverse the sense of your transmitted signals.

UBit "n" ON/OFF	Default: 0
Mode: All	Host: UB
Parameters: _____	

"n" - 0 to 255 specifying a User BIT that may be set ON or OFF.

The UBIT is an extension of the old CUSTOM command which allows up to 255 ON/OFF functions to be added to the PK-900 without burdening users with a large number of commands. The functions controlled by UBIT are things that most users will never have to change. Still they are important enough to some users or application programs that we have included them under the umbrella command UBIT.

The following are examples of how to use the UBIT command:

UBIT 5	Returns the present status of UBIT 5
UBIT 1 ON	Sets the function controlled by UBIT 1 to ON
UBIT 10 T	Toggles the state of the function controlled by UBIT 10
UBIT	Returns the state of the last UBIT value that was accessed

Listed below are the UBIT functions and the default state that presently have been assigned. The default state of each UBIT is always shown first.

- UBIT 0:   ON:   The PK-900 will discard a received a PACTOR block or packet if the signal is too weak to light the DCD LCD.  
          OFF: The PK-900 will receive a packet regardless of the DCD status.
  
- UBIT 1:   OFF: Entering the command MONITOR ON or MONITOR YES causes the MONITOR command to be set to 4.  
          ON:  Entering the command MONITOR ON or MONITOR YES causes the MONITOR command to be set to 6.
  
- UBIT 2:   ON:  A Break signal received on the RS-232 line forces the PK-900 into Command mode from all modes except HOST mode.  
          OFF: A Break signal on the RS-232 line is ignored by the PK-900.
  
- UBIT 3:   ON:  Logical packet channels on radio port 2 may be selected by either a-z (lower case) or A-Z (UPPER CASE) letters.  
          OFF: Logical packet channels on radio port 2 must be selected by A-Z (UPPER CASE) letters. Attempting to use lower case characters gives the "Must be 0-9 or A-Z" error message.
  
- UBIT 4:   ON:  When transmitting in Baudot, the PK-900 inserts the FIGS after a space just prior to sending any figures (<space><FIGS><number>). This permits receiving stations to decode groups of figures correctly regardless of the USOS setting.  
          OFF: The PK-900 will not insert the FIGS character after each space. MARS operators may want to set UBIT 4 OFF for literal operation.
  
- UBIT 5:   OFF: The PK-900 will always power up in Command Mode.  
          ON:  The PK-900 will remain in the last mode (Converse, Command or Transparent) provided the battery is jumper enabled.
  
- UBIT 6:   OFF: In Packet, monitoring is disabled when in the Transparent mode.  
          ON:  Packet monitoring is active in the Transparent mode. MFROM, MTO, MRPT, MONITOR, MCON, MPROTO, MSTAMP, MXMIT, CONSTAMP and MBX are all active.

- UBIT 7: OFF: In Morse receive, the character ..-- prints as a "^".  
ON: In Morse, the character ..-- prints as a <Carriage Return>.
- UBIT 8: Not used in the PK-900.
- UBIT 9: ON: In AMTOR or PACTOR a received WRU character (FIGS-D) will cause the Auto-Answerback text to be sent regardless of the setting of WRU.  
This is subject to the setting of the CODE command.  
OFF: In AMTOR or PACTOR a received WRU character (FIGS-D) will have no effect.
- UBIT 10: OFF: Polling in the HOST mode is subject to HPOLL and must be done for all changes in status.  
ON: Status changes (e.g. Idle to Tfc) in AMTOR, FAX, TDM, PACTOR or NAVTEX causes the PK-900 to issue the following host block:
- SOH \$50 n ETB
- where n is \$30-36, the same number that the OPMODE command furnishes. This block is subject to HPOLL.
- UBIT 11: ON: A "Connected" message appears when an ARQ link is first established using seven-character SELCALLs (CCIR 625).  
OFF: No Connected message appears at the start of ARQ communications.
- UBIT 12: OFF: The Packet Morse ID (MID) is ON/OFF keying of the low tone.  
ON: The Packet Morse ID is sent in 2-tone FSK with the low tone being key-down and the high tone representing key-up. Use this setting to keep other stations from sending a packet during the Morse ID.
- UBIT 13: OFF: MailDrop Connect status messages are always sent to the local user, regardless of the setting of MDMON.  
ON: Remote user dialog and Connect status messages with the MailDrop are shown only if MDMON is ON.
- UBIT 14: OFF: In Packet, the transmit buffer for data sent from the computer to the PK-900 is limited only by available PK-900 memory.  
ON: In Packet, the serial flow control will permit only a maximum of 7 I-frames to be held by the PK-900 before transmission. This solves a problem with the YAPP binary file transfer program which relies on a small TNC transmit buffer to operate correctly.
- UBIT 15: Not used in the PK-900.
- UBIT 16: Not used in the PK-900.
- UBIT 17: OFF: Morse, Baudot, ASCII and AMTOR transmissions start when commanded by the user or an application program.  
ON: Morse, Baudot, ASCII, PACTOR and AMTOR transmissions will not begin until the channel is clear of signals. The channel is considered clear when both the DCD and the Squelch input (if used) are inactive. The PERSIST and SLOTTIME delay functions are used if PPERSIST is ON, otherwise the DWAIT time is used.



UBIT 18: OFF: In Packet operation, the FRACK (or FRICK if enabled) timer is used to retry packets that were not acknowledged.  
ON: An experimental Master/Slave relationship is established when a Packet connection is made. This is designed for meteor scatter operation and is described in detail under the FRICK command.

UBIT 19: ON: The "p1" and "p2" radio port designators are shown ahead of monitored data on each radio port.  
OFF: The "p1" and "p2" radio port designators are not displayed.

UBIT 20: OFF: In the Analog receive mode, each 8 bit sample is sent to the computer as an 8 bit byte of data.  
ON: In the Analog receive mode, each 8 bit sample is truncated to the 4 Most Significant bits. Two 4 bit samples are then packed together to form an 8 bit byte before being sent to the computer.

UBIT 21: Not used in the PK-900.

UBIT 22: ON: In the Packet mode, the PK-900 will respond to the receipt of an UNPROTO frame addressed to QRA by sending an UNPROTO ID packet frame within 1 to 10 seconds. This feature is compatible with TAPR's ANSWRQRA command.  
OFF: The PK-900 does not respond to UNPROTO frames addressed to QRA.

UBIT 23 ON: The TEST function halts at the end of each test measurement. Pressing any key except "Q" starts the next test. Pressing "Q" halts the test and returns to command mode.  
OFF: The TEST function will halt for the discriminator adjustment functions only. The rest of the test will continue until complete or may be stopped by pressing the "Q" key.

UBIT settings 24 and above are unused at the present time but are reserved for future expansion.

---

UCmd "n x"	Default: 0
Mode: PACTOR	Host: UB

---

Parameters: \_\_\_\_\_

---

- "n" - 0 to 15 specifying a User BYTE that may be set.  
"x" - 0 to 255 specifying the value of the specific byte to be set.
- 

The UCMD is an extension of the UBIT command which allows up to 15 commands that take numeric arguments to be added to the PK-900 without burdening users with a large number of commands. The functions controlled by UCMD are things that most users will never have to change. Still they are important enough to some users or application programs that we have included them under the umbrella command UCMD.

The following are examples of how to use the UBIT command:

- |             |   |
|-------------|---|
| UCMD 5      | Returns the present status of UCMD 5.         |
| UCMD 4 5    | Sets user command 4 to the value 5.           |
| UCMD 12 OFF | Sets user command 12 to the value of 0.       |
| UCMD ON     | Restores user command 8 to its default value. |
| UCMD        | Shows the setting of the last UCMD entered.   |

Listed below are the UCMD functions and the default states that presently have been assigned. The default state of each UCMD is always shown first.

- UCMD 0: This is a PACTOR command. It sets the number of correct packets in a row that must be received before generating an automatic request to change from 100 to 200 baud.
- UCMD 1: This is a PACTOR command. It sets the number of incorrect packets in a row that must be received before generating an automatic request to change from 200 to 100 baud.
- UCMD 2: This is a PACTOR command. It sets the number of packets sent in a speed-up attempt.
- UCMD 3: This is a PACTOR command. It sets the maximum number of Memory ARQ packets that are combined to form one good packet. When this number is exceeded, all stored packets are cleared and Memory ARQ is re-initialized.

UCMD 4-15 are unused for now.

---

Unproto call1 [VIA call2[,call3..,call9]]/call1 [VIA call2[,call3..,call9]]  
Default: CQ/CQ  
Mode: Packet Host: UN  
Parameters: \_\_\_\_\_

---

call1 - Call sign to be placed in the TO address field.  
call2-9 - Optional digipeater call list, up to eight calls.

---

UNPROTO sets the digipeat and destination address fields of packets sent in the unconnected (unprotocol) mode.

Unconnected packets are sent as Unnumbered I-frames (UI frames) with the destination and digipeat fields taken from "call1" through "call9" options. When a destination is not specified, unconnected packets are sent to "CQ."

Unconnected packets sent from other packet stations can be monitored by setting MONITOR to a value greater than "1" and setting MFROM to ALL.

The UNPROTO path and address is also used for beacon packets.

---

USers "n/n" Default: 1/1  
Mode: Packet Host: UR  
Parameters: \_\_\_\_\_

---

"n" - 0 to 10 specifies the number of active simultaneous connections that can be established with your PK-900.

---

USERS affects the way that incoming connect requests are handled on each Radio Port of the PK-900. It does not affect the number of connections you initiate with your PK-900. For example:

USERS 0 allows incoming connections on any free logical channel  
USERS 1 rejects incoming connections if there are connections on 1 or more logical channels.  
USERS 2 rejects incoming connections if there are connections on 2 or more logical channels.

And so on, through USERS 10.

---

USOs ON OFF	Default: OFF
Mode: Baudot RTTY	Host: US

---

Parameters: \_\_\_\_\_

ON - Letters (LTRS) case IS forced after receiving a space character.  
OFF - Letters (LTRS) is NOT forced after receiving a space character.

---

Use the USOS Command (UnShift On Space) when you want your PK-900 to automatically change from figures to letters after receiving a space character.

When using Baudot RTTY in poor HF receiving conditions, a received character can be incorrectly interpreted as a FIGURES-SHIFT character, forcing the received data into the wrong case. Many otherwise good characters received after this will be interpreted as figures (numbers and punctuation), not as the letters sent by the distant station. USOS ON helps reduce these receiving errors.

---

Vhf ON OFF/ON OFF	Default: ON/ON
Mode: Packet	Host: VH

---

Parameters: \_\_\_\_\_

ON - The modem selected in QVPacket is automatically selected.  
OFF - The modem selected in QHPacket is automatically selected.

---

Use the VHF Command for immediate software control of the PK-900's modem selection. This command makes changing between HF and VHF packet modems on each radio port easier. Remember to change HB appropriately.

Set VHF ON for VHF packet operation (default) and set VHF OFF for HF operation.

---

Voltage	Immediate Command
Mode: Command	Host: VO

---

The VOLTAGE command displays the result of three internal voltage measurements. These measurements are:

1. The internal analog reference voltage. Nominally 6.70 volts, it may range from 6.25 to 6.95 volts.
2. The 12 volt input. Two numbers will be displayed which are the minimum and maximum values of the input voltage. For a well regulated power supply, these numbers will be very nearly the same. For a wall mount transformer, the numbers will typically have a two volt difference. The lowest value should not be below 11.5 volts.
3. The internal 5 volt power supply. The range of values should be between 4.6 and 5.4 volts.

---

WHYnot ON|OFF  
Mode: Packet

Default: OFF  
Host: WN

Parameters: \_\_\_\_\_

---

- ON - The PK-900 generates a reason why received packets are not displayed.  
OFF - This function is disabled.
- 

During packet operation, the PK-900 may receive many packets that are not displayed. Turning WHYNOT on will cause the PK-900 to display a message explaining the reason the received packet was not displayed to the screen. The messages and their meanings are shown below:

- PASSALL: The received packet frame had errors, and PASSALL was off, preventing the packet from being displayed to the screen.
- DCD Threshold: The DCD LCD was off when the packet was received.
- MONITOR: The MONITOR value was set too low to receive this frame.
- MCON: MCON was set too low to receive this type of frame.
- MPROTO: MPROTO was set to off, and the received packet was probably a NET/ROM or TCP/IP frame.
- MFROM/MTO: The frame was blocked by the MFROM or MTO command.
- MBX: The call sign of the sending station does not match the call sign setting in the MBX command.
- MBX Sequence: The frame was received out of sequence, probably a retry.
- Frame too long: Incoming packet frame longer than 330 bytes. Probably a non-AX.25 frame.
- Frame too short: Incoming packet frame shorter than 15 bytes. Only seen if PASSALL ON. Probably noise.
- RX overrun: Another HDLC byte was received before we could read the previous one out of the HDLC chip.

---

WIdeshft ON OFF	Default: OFF
Mode: All	Host: WI

---

The WIDESHIFT command allows backwards compatibility with hostmode software designed for use with the PK-232. This command coupled with the QWIDE command selects a modem for wide shift operation such as 850 Hz shift used on some VHF data repeaters. Some MARS stations use 850 RTTY on HF. Wide shift must not be used on AMTOR.

---

WOrdout ON OFF	Default: OFF
Mode: Baudot, ASCII, AMTOR, PACTOR and Morse	Host: WO

---

Parameters: \_\_\_\_\_

ON - Typed characters are held in the transmit buffer until a space, CR, LF, TAB, RECEIVE, CWID, ENQ or +? character(s) is typed.  
OFF - Typed characters are sent directly to the transmitter.

---

Use the WORDOUT Command to choose whether or not you can edit while entering text for transmission.

When WORDOUT is ON, each character you type is held in a buffer until you type a space, a carriage return, a line feed, ENQ character (\$05, <CTRL-E>) or the +?. You can edit words before the transmit buffer's contents are sent to the radio. When WORDOUT is OFF, each character you type is sent to the radio just as you typed it, without any delay.

---

WRu ON OFF	Default: OFF
Mode: Baudot, ASCII	Host: WR

---

Parameters: \_\_\_\_\_

ON - Your Auto-AnswerBack is sent after a distant station's WRU?  
OFF - Your Auto-AnswerBack is NOT sent after a distant station's WRU?

---

Use the WRU command in Baudot and ASCII to enable or disable your PK-900's Automatic-AnswerBack feature.

When WRU is ON, your PK-900 sends the AnswerBack on receipt of a distant station's WRU? request ("FIGS-D" or "\$" in Baudot or a <CTRL-E> in ASCII). Your PK-900 keys your transmitter, sends the text stored in the AnswerBack field (AAB), then unkeys your transmitter and returns to receive.

The WRU function is defaulted ON in AMTOR as per the CCIR recommendation. It is also defaulted on in PACTOR. To allow for special applications where it may be helpful to disable the WRU function in AMTOR or PACTOR, User Bit 9 (UBIT 9) command controls this feature.

---

XBAud "n"	Default: 0
Mode: ASCII/Baudot	Host: XB

---

Parameters: \_\_\_\_\_

"n" - Specifies an exact baud rate used in receiving ASCII and Baudot RTTY.

---

XBAUD enables hardware decoding of ASCII and Baudot signals using the PK-900's 8530 Serial Communications Controller IC. This can allow the PK-900 to achieve better copy of these signals as well as allow non-standard data rates to be received.

To use XBAUD simply enter the data rate that is desired in either ASCII or Baudot modes. For example a 20-meter Baudot RTTY enthusiast may want to set XBAUD to 45 to improve copy of weaker signals on the band.

It is important to remember that XBAUD overrides both the RBAUD (in Baudot) and ABAUD (in ASCII) as well as the inverting commands TXREV and RXREV. This means that if XBAUD has been set to 45 for Baudot operation, it should be reset to 0 before changing modes to ASCII. Otherwise the PK-900 will attempt to receive ASCII at 45 bauds! To help reduce the chance of this error occurring, the PK-900 will disable XBAUD by setting it to 0 every time the SIGNAL Identification mode is used and the command OK is entered.

The XBAUD command supports data rates from 1 to 9600 bits per second although the PK-900 internal modem only supports data rates to 1200 baud.

---

XFlow ON OFF	Default: ON
Mode: All	Host: XW

---

Parameters: \_\_\_\_\_

ON - XON/XOFF (software) flow control is activated.  
OFF - XON/XOFF flow control is disabled - hardware flow control is enabled.

---

When XFLOW is ON, software flow control is in effect - it's assumed that the computer or terminal will respond to the PK-900's Start and Stop characters defined by the XON and XOFF commands. Similarly, the PK-900 will respond to the computers start and stop characters defined by START and STOP.

When XFLOW is OFF, the PK-900 sends hardware flow control commands via the CTS line and is controlled via either the RTS or the DTR line.

---

Xmit	Immediate Command
Mode: Baudot/ASCII/Morse and FAX	Host: XM

---

XMIT is an immediate command that keys your radio's PTT line on Radio Port 1 and prepares the radio to receive outbound data and Morse characters from the PK-900.

XMIT switches your PK-900 to either Converse or Transparent Mode, depending on the setting of CONMODE. Typing the CWID or the RECEIVE character will return you to receive. Typing RCVE from the Command mode will also return to receive.

The XMIT Command can only be used from the Command Mode.

---

XMITOk ON OFF	Default: ON
Mode: All	Host: XO

---

Parameters: \_\_\_\_\_

- ON - Transmit functions (PTT line) are active.
  - OFF - Transmit functions (PTT line) are disabled.
- 

When XMITOK is OFF, the PTT lines to your transmitter on both Radio Ports are disabled - the transmit function is inhibited. All other PK-900 functions remain the same. Your PK-900 generates and sends packets as requested, but does not key the radio's PTT line.

Use the XMITOK command to ensure that your PK-900 does not transmit.

Turning XMITOK OFF can be used to enable full break-in CW operation (QSK) on certain transceivers.

---

XOff "n"	Default: \$13 <CTRL-S>
Mode: All	Host: XF

---

Parameters: \_\_\_\_\_

- "n" - 0 to \$7F (0 to 127 decimal) specifies an ASCII character code.
- 

Use XOFF to select the Stop character to be used to stop input from the computer or terminal.

The Stop character default value is <CTRL-S> for computer data transfers.



---

XON "n"	Default: \$11 <CTRL-Q>
Mode: All	Host: XN

---

Parameters: \_\_\_\_\_

---

"n" - 0 to \$7F (0 to 127 decimal) specifies an ASCII character code.

---

XON selects the PK-900 Start character that is sent to the computer or terminal to restart input from that device.

The Start character default value is <CTRL-Q> for computer data transfers.

---

ZFree	Immediate Command
Mode: All	Host: ZF

---

This command is primarily of interest to HOST mode programmers. ZFREE is an immediate read-only command that returns the amount of data RAM that is available in the PK-900. n is the number of free internal memory blocks. Each memory block holds 28 bytes of data.

Use the ZFREE command to avoid the situation in which a host mode application sends a block of data to be transmitted, but the controller cannot issue a data acknowledgement (5F X X 00) to the host computer right away because the TNC is too full. The application should not send data to the controller if it would cause the value of ZFREE to drop below 64. To avoid the transmission of RNR (device busy) packets, the application should make sure ZFREE does not drop below 128.

Note that ZFREE is different from the FREE command, which shows the number of message bytes available to the maildrop. (ZFREE times 28 is always larger than the value of FREE.)

---

ZStatus  
Mode: All

Immediate Command  
Host: ZS

---

This command is primarily of interest to HOST mode programmers. ZSTATUS is an immediate read-only command that returns a data byte in hexadecimal indicating the status of the unit as shown in the table below.

Bit ---	Meaning if 0 -----	Meaning if 1 -----
0	Transmit character buffer is empty	RTTY & AMTOR characters are being transmitted
1	No maildrop command in progress	Maildrop command is in progress
2	No maildrop messages for local sysop	The maildrop contains messages for local sysop
3-7	Reserved	Reserved

ZSTATUS is meant to be a read-only command for use by host applications in determining the status of the unit, although the user may write a value to ZSTATUS if desired. Bit 0 shows whether all characters have been transmitted in non-packet modes. Bit 1 shows whether the maildrop is busy servicing a command such as Read or List. (Note: bit 1 may show 0 before the host application has polled all the data from a Read or List command out of one of the unit's buffers.) Bit 2 shows whether any mail has been sent to the local sysop (same indication as the front panel MAIL LCD flashing).

PK-900 COMMAND LIST

COMMAND	DEFAULT	FUNCTION
3Rdparty	OFF	Enables 3rd party MailDrop messages
5Bit	Immediate Command	Starts copying special 5-bit stations
6Bit	Immediate Command	Starts copying special 6-bit stations
8Bitconv	OFF	Enables 8-bit data in packet/ASCII CONVERSE
AAb	(empty)	Sets the 0-24 character WRU Auto-answerback
ABaud	110 bauds	Sets the ASCII baud rate
AChg	Immediate Command	Forces AMTOR and PACTOR ARQ Changeover
ACKprior	OFF/OFF	Enables priority acknowledgment in packet
ACRDisp	0	Sets terminal output Screen width
ACRPack	ON	Adds Carriage Returns to transmitted packets
ACRRtty	71	Sets the RTTY/AMTOR Auto <CR> insert column
ADelay	4	Sets AMTOR and PACTOR transmit delay, 10 ms.
AFilter	OFF	Enables All-mode receive character filter
ALFDisp	ON	Sends <LF> after <CR> to terminal
ALFPack	OFF	Sends <LF> after <CR> in transmitted packets
ALFRtty	ON	Sends <LF> after <CR> in transmitted RTTY
AList	Immediate Command	Starts the AMTOR ARQ 'Listen' mode
AMTOR	Immediate Command	Starts the AMTOR mode in ARQ standby
ANalog	Immediate Command	Starts the Analog mode
ANSample	2000	Sets the number of Analog mode samples
ARq	(SELCAL)	Starts the AMTOR ARQ call with SELCAL
ARQE	Immediate Command	Starts the ARQ-E receive mode
ARQTmo	60	Sets the AMTOR/PACTOR ARQ call time-out
ARQTOL	3	Sets bit jitter tolerance in ARQ AMTOR
AScii	Immediate Command	Starts the ASCII RTTY mode
ASPECT	2 (576)	Sets the received aspect ratio in FAX
AUdelay	2/2 (20 msec.)	Sets delay before audio is applied after PTT
AUTOBaud	OFF	Enables Autobaud routine at every power-on
AWlen	7	Sets ASCII word length to RS-232 terminal
Ax2512v2	ON/ON	Sets AX.25 Version 2.0 packet protocol
AXDelay	0/0 (zero)	Sets packet Repeater key-up delay (X10 ms)
AXHang	0/0 (zero)	Sets packet Repeater hang time (X10 ms)
BARgraph	0	Sets the type of tuning bar graph display
BAudot	Immediate Command	Starts the Baudot RTTY mode
BBSmsgs	OFF	Enables TAPR style status messages
Beacon	EVERY 0/EVERY 0	Sets the packet beacon timing (X10 seconds)
BITinv	\$00	Sets the XOR value to copy bit inverted RTTY
BKondel	ON	Sends <BS> <SP> <BS> for DELETE char.
BRight	50	Sets the brightness of the LCD backlight
BText	(Empty)	Sets the 120-byte packet BEACON message text
CALibrat	Immediate Command	Starts PK-900 AFSK tone calibrate mode
CANline	\$18 <CTRL-X>	Sets the LINE DELETE character for editing
CANPac	\$19 <CTRL-Y>	Sets the PACKET DELETE character for editing
CASedisp	0 (as is)	Sets the display case (as is/lower/UPPER)
CBell	OFF	Enables packet and PACTOR 'Connect' bell
CCITT	ON	(Use the CODE COMMAND instead)
CFrom	all/all	Sets the Connect request/accept list
CHCall	OFF	Shows call sign after packet channel ID
CHDouble	OFF	Shows CHSWITCH character twice
CHeck	30/30	Sets Idle packet link time-out (X10 seconds)
CHSwitch	\$00	Sets the channel-select character

COMMAND	DEFAULT	FUNCTION
CMdtime	10 (1000 msec.)	Sets the Transparent/HOST Mode escape time
CMSg	OFF/OFF	Sends CTEXT message to packet caller
CODE	0 (International)	Selects Morse/Baudot/AMTOR character sets
COMmand	\$03 <CTRL-C>	Sets the COMMAND Mode escape character
CONMode	CONVERSE	Selects the mode used when data link starts
Connect	Immediate Command	Sends a packet connect request to <callsign>
CONPerm	OFF	Selects a permanent connection packet link
CONStamp	OFF	Marks connections with time/date stamp
CONVerse	Immediate Command	Enters the Converse Mode (Abbrev. K)
CPactime	OFF	Uses PACTIME time-out in Converse mode
CRAdd	OFF	Sends <CR><CR><LF> in RTTY Modes
CStatus	Immediate Command	Shows status of channels (links)
CText	(Sample Text)	Sets 120-byte packet CONNECT message text
CUstom	\$0A15	(Use the UBIT command instead)
CWid	\$06 <CTRL-F>	Sets the command to send CWID in RTTY modes
DAYStamp	OFF	Includes DATE in time-stamp
DAYtime	None	Set or read the internal time-of-day clock
DCdconn	OFF	Sets RS-232 Pin 8 to follow DCD or Connect
DElete	OFF	Uses DEL (\$7F), not <BS> (\$08) to erase
DFrom	all/all	Sets the digipeat yes or no call sign list
DIDdle	ON	Transmits idle characters in Baudot and ASCII
DIRect	Immediate Command	Displays a directory of the available modems
Disconne	Immediate Command	Sends packet DISC request to distant station
DISPlay	Immediate Command	Shows the PK-900 parameters and classes
DWait	16/16	Sets the delay for digipeated packets
EAS	OFF	Echoes characters as sent, non-packet modes
Echo	ON	Echoes typed keyboard characters
ERrchar	\$5F ( _)	Sets AMTOR/Morse displayed error character
EScape	OFF	Sends ESC character \$1B to display as \$24
FAx	Immediate Command	Enters the facsimile mode
FAXNeg	OFF	Reverses the black/white FAX sense
FEC	Immediate Command	Starts an AMTOR FEC transmission
Flow	ON	Stops displaying received data while typing
FRack	5/5 (5 sec.)	Sets time (X1 sec) to wait for packet ACK
FRee	Immediate Command	Displays available memory for MailDrop
FRick	0/0	Sets timer for packet meteor scatter mode
FSpeed	2	Sets the FAX horizontal scan rate per second
Fulldup	OFF/OFF	Enables Full-Duplex packet operation
GRaphics	1 (960 dots)	Sets the dot density used for FAX operation
HBaud	1200/1200 bauds	Sets the packet radio link baud rate
HEAdernl	ON	Inserts <CR> after monitored packet headers
Help	Immediate Command	Shows a brief HELP text on screen
HEReis	\$02 <CTRL-B>	Sets the character that sends your AAB text
HId	OFF/OFF	Sends HDLC ID UI packet every 9.5 minutes
HOMebbs	None	Sets callsign of the BBS for forwarding
HOST	0	Enables Host computer interface
HPoll	ON	Sets Host polling be used in Host interface
Id	Immediate Command	Sends an ID in Baudot, ASCII AMTOR and packet
ILfpack	ON	Ignores line feeds from terminal in packet
JUstify	Immediate Command	Moves received FAX left a number X 0.5"
K	Immediate Command	Enters the Converse mode (same as CONVerse)
KILLONFWD	ON	Kills messages after reverse forwarding
KIss	0 (OFF)	Starts the KISS TNC host protocol

COMMAND	DEFAULT	FUNCTION
KISSAddr	0	Sets the Address used in extended KISS mode
LAstmsg	Immediate Command	Sets/shows the Last maildrop message number
LEftright	ON	Sets left-to-right Scan direction for FAX
Lite	OFF/OFF	Enables AEA's Packet Lite HF protocol
Lock	Immediate Command	Locks Morse speed/ forces lower case in RTTY
MAildrop	OFF	Enables the Packet MailDrop for remote users
MARK	1200	Sets or displays the current Mark frequency
MARsdisp	OFF	Translates received LTRS & FIGS characters
MAXframe	4/4	Sets a maximum of un-ACK'd packet frames
MBell	OFF/OFF	Rings bell when packet station heard
MBx	none, (calls)	Monitors packet channel without headers
MCon	0/0 (zero)	Monitors packets while connected (0-6)
MDCheck	Immediate Command	Allows you to check into your own MailDrop
MDigi	OFF	Monitors packet frames that you digipeat
MDMon	OFF	Monitors stations using your MailDrop
MDPrompt	(see text)	Sets an 80 character MailDrop message prompt
MFilter	\$80	Filters received ASCII characters
MFrom	ALL/ALL (calls)	Monitors packets FROM other packet stations
MHeard	Immediate Command	Displays call packet signs heard
MId	0/0	Enables a Morse ID to be sent in packet
MMsg	OFF	Enables the MailDrop sign on message
MODem	11/4	Sets the current radio port modems
Monitor	4/4	Sets the packet Monitor mode level (0-6)
MOrse	Immediate Command	Starts the Morse mode, unlock speed
MProto	OFF/OFF	Enables monitoring of all packet protocols
MRpt	ON/ON	Shows digipeaters in packet headers
MSpeed	20	Sets the Morse speed in WPM (5-99)
MStamp	OFF	Time-stamps monitored packet frames
MTExt	(see text)	Sets a 120 character MailDrop sign-on message
MTo	None/None (Calls)	Monitors packets TO other station callsigns
MWeight	10	Sets the Morse transmit dot weighting
MXmit	OFF	Monitors transmitted packet frames
MYAlias	None/None	Sets the alternate MYCALL for digipeating
MYALTcal	None; enter yours	Sets the alternate AMTOR SELCAL
MYCall	PK900/PK900	Sets YOUR packet call sign (MUST BE ENTERED)
MYIdent	None; enter yours	Sets your CCIR-625 7-character AMTOR SELCAL
MYGate	None; enter yours	Sets the port-1 port-2 packet gateway call
MYMail	None; enter yours	Sets your Packet MailDrop callsign
MYPTcall	None; enter yours	Sets your PACTOR callsign
MYSelcal	None; enter yours	Sets your AMTOR SELCAL, 4 letters
NAVMsg	ALL	Determines which NAVTEX messages you monitor
NAVStn	ALL	Determines which NAVTEX stations you monitor
NAvtex	Immediate Command	Starts the NAVTEX/AMTEX receive mode
NEwmode	ON	Returns to Command mode at disconnect
NOmode	OFF	Sets NO mode changes (eg. cmd: to CONVERSE)
NUCr	OFF	Sends Nulls to terminal after <CR>
NULf	OFF	Sends Nulls to terminal after <LF>
NULLs	0 (zero)	Sets the number of for NUCR and NULF
Nums	Immediate Command	Forces FIGS case in Baudot, AMTOR and TDM
OK	Immediate Command	Transfers to mode after Signal Identification
Opmode	Immediate Command	Displays current PK-900 operating mode
PAcket	Immediate Command	Starts the Packet Mode
PAcLen	128/128	Sets the number user data bytes in a packet

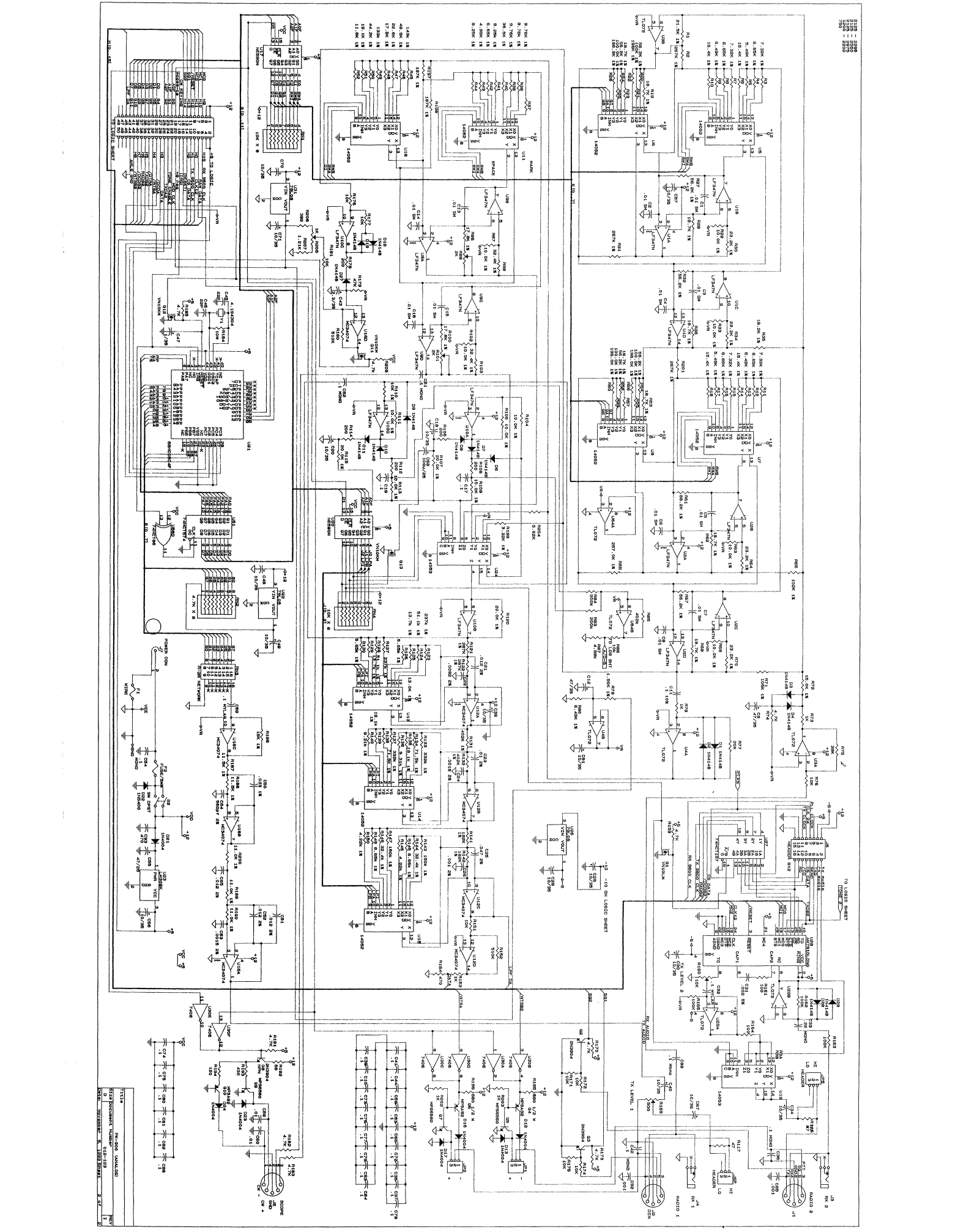
COMMAND	MNEMONIC	FUNCTION
PACtime	AFTER 10	Sets the packet automatic transmit timer
PACTor	Immediate Command	Enters the PACTOR mode (PT for short)
PARity	3 (even)	Sets the terminal program parity (0-3)
PASs	\$16 <CTRL-V>	Sets the converse mode pass character
PASSall	OFF/OFF	Ignores CRC in receiving packets (Junk mode)
PErsist	63/63	Sets the P-persistent CSMA threshold
PPersist	ON/ON	Selects P-persistent CSMA operation
PRType	2 (Epson)	Sets the graphics emulation for FAX printing
PT	Immediate Command	Enters the PACTOR mode (same as PACTOR)
PT200	ON	Allows 200 bauds for PACTOR if link is good
PTConn	Immediate Command	Starts a PACTOR connect with (CALLSIGN)
PTHuff	0	Selects PACTOR data compression (0=OFF)
PTList	Immediate Command	Starts the PACTOR Listen mode
PTOver	\$1A <CTRL-Z>	Sets the PACTOR link direction change char.
PTSend	Immediate Command	Starts the PACTOR unproto send mode (call CQ)
QHpacket	10/2	Sets the default HF packet modems
QMorse	12	Sets the default Morse modem
QRtty	1	Sets the default ASCII/Baudot RTTY modem
QSignal	2	Sets the default Signal Identification modem
QTDm	3	Sets the default TDM receive modem
QTor	2	Sets the default AMTOR modem
QVpacket	11/4	Sets the default VHF packet modems
QWide	7	Sets the default WIDESHFT ON modem
RAdio	1/2	Enables / Disables each radio port
RAWhdlc	OFF	Enables Raw HDLC for Host mode
RBaud	45 bauds (60 WPM)	Sets the Baudot RTTY baud rate selection
Rcve	Immediate Command	Selects the receive mode Morse/RTTY/AMTOR
RECEive	\$04 <CTRL-D>	Selects the receive character used in text
REDispla	\$12 <CTRL-R>	Re-displays current terminal input buffer
RELink	OFF/OFF	Re-connects after link fails due to retries
RESET	Immediate Command	RESETs PK-900 and bbRAM to factory defaults
RESptime	0/0	Sets the minimum delay before sending an ACK
RESTART	Immediate Command	Restarts PK-900, same as turning power off/on
REtry	10/10	Sets the maximum number of packet repeats
RFec	ON	Receives FEC in AMTOR Standby
RFRame	OFF	Checks RTTY characters for framing errors
RXRev	OFF	Reverses the received data mark-space sense
SAmple	Immediate Command	Enters the raw data sampling mode
SELfec	Immediate Command	Starts a selective FEC call with SELCAL
SEndpac	\$0D <CTRL-M>	Sets the converse mode "Send packet" char.
SiGnal	Immediate Command	Starts the Signal Identification mode
SLottime	30/30 (300 msec.)	Sets the P-persistent CSMA slot time
SPACE	2200 Hz	Sets or displays the current Space frequency
SQuelch	OFF/OFF	Sets the receiver squelch carrier polarity
SRXall	OFF	Allows reception of ALL received SELFEC calls
STArt	\$11 <CTRL-Q>	Sets character to start sending terminal data
STOp	\$13 <CTRL-S>	Sets character to stop sending terminal data
TBaud	1200 bauds	Sets the ASCII terminal data rate
TClear	Immediate Command	Clears the transmit Buffer (Non-packet modes)
TDBaud	96	Sets the receive data rate for TDM signals
TDChan	0	Sets the receive channel for TDM signals
TDm	Immediate Command	Enters the TDM receive mode
TEST	Immediate Command	Starts the PK-900 self test function

COMMAND	MNEMONIC	FUNCTION
TIme	\$14 <CTRL-T>	Inserts the time (in DAYTIME) in text
TMail	OFF	Enables AMTOR and PACTOR MailDrop
TMPrompt	(see text)	Sets an 80 character AMTOR MailDrop message
TRACe	OFF	Enables a Hex dump of received data
Trans	Immediate Command	Enters the Transparent data mode
TRFlow	OFF	Enables software flow control RX in Trans.
TRIEs	0 (zero)	Displays or forces packet retry counter
TXDelay	30	Sets the PTT key-to-data delay (X10 ms)
TXFlow	OFF	Enables software flow control TX in Trans.
TXrev	OFF	Reverses transmitted mark-space data sense
UBit	0	Controls seldom used ON/OFF commands
UCmd	0	Controls seldom used numeric commands
Unproto	CQ/CQ	Sets the UI packet frame sending Path/address
USers	1/1	Sets allowed number of packet multi-connects
USOs	OFF	Sets RTTY 'unshift on space'
Vhf	ON/ON	Selects VHF Packet - wide (1000 Hz) shift
Voltage	Immediate Command	Displays PK-900 critical voltage levels
WHYnot	OFF	Displays reason why packet not displayed
Wideshft	OFF	Selects RTTY - wide or narrow (200 Hz) shift
WOrdout	OFF	Sets Word output in RTTY/AMTOR/PACTOR modes
WRu	OFF	Enables auto-answerback (AAB) in RTTY/ASCII
XBaud	0	Sets 8530 baud rate to receive Baudot/ASCII
XFlow	ON	Sets Software (XON/XOFF) RS-232 flow control
Xmit	Immediate Command	Starts sending Baudot/Morse/FAX transmission
XMITOk	ON	Allows transmitter PTT line to be keyed
XOff	\$13 <CTRL-S>	Sets character to stop sending received data
XON	\$11 <CTRL-Q>	Sets character to start sending received data
ZFree	Immediate Command	Returns number of blocks of available memory
ZStatus	Immediate Command	Returns status of some internal parameters





APPENDIX B



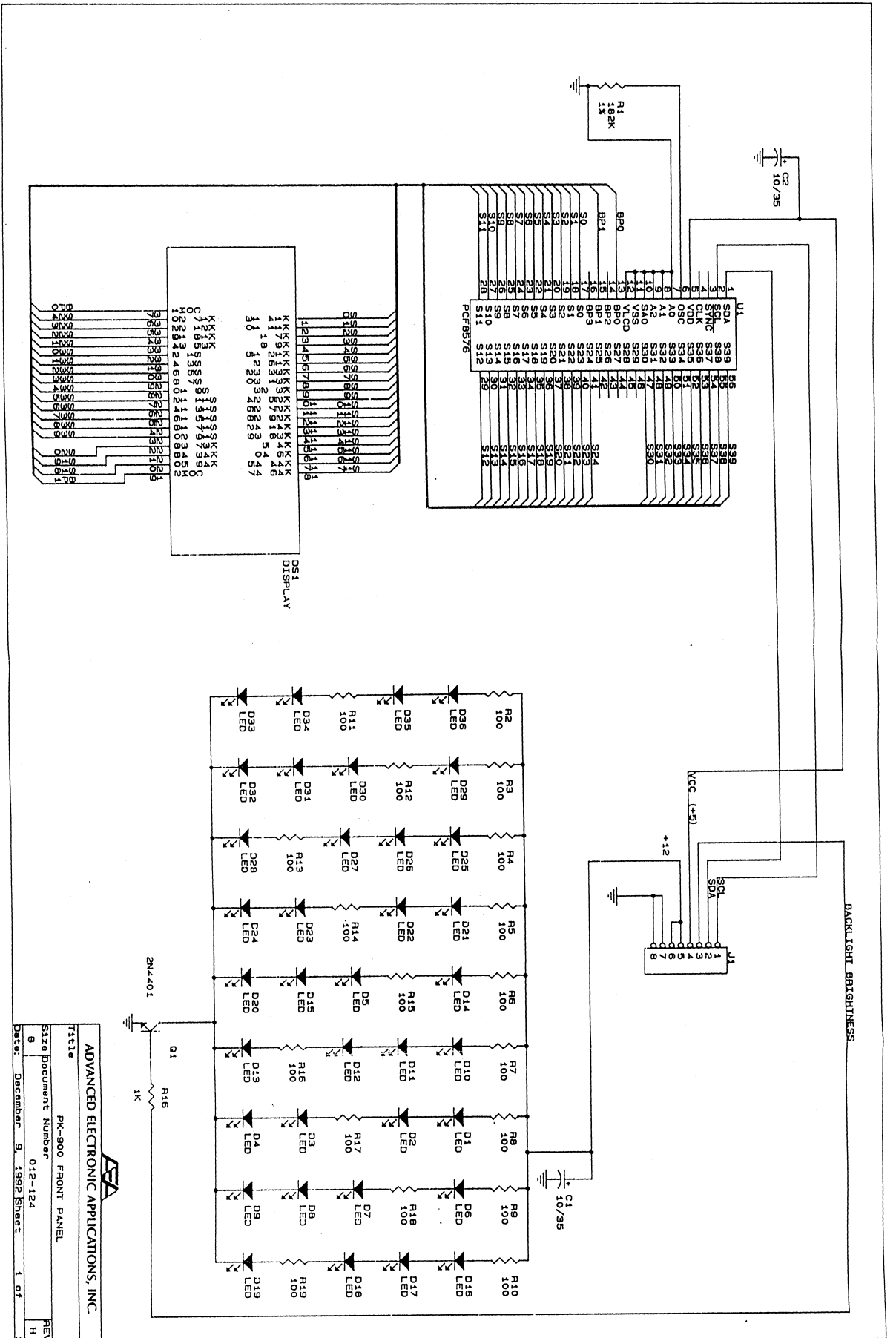
1113  
 1114  
 1115  
 1116  
 1117  
 1118  
 1119  
 1120  
 1121  
 1122  
 1123  
 1124  
 1125  
 1126  
 1127  
 1128  
 1129  
 1130  
 1131  
 1132  
 1133  
 1134  
 1135  
 1136  
 1137  
 1138  
 1139  
 1140  
 1141  
 1142  
 1143  
 1144  
 1145  
 1146  
 1147  
 1148  
 1149  
 1150  
 1151  
 1152  
 1153  
 1154  
 1155  
 1156  
 1157  
 1158  
 1159  
 1160  
 1161  
 1162  
 1163  
 1164  
 1165  
 1166  
 1167  
 1168  
 1169  
 1170  
 1171  
 1172  
 1173  
 1174  
 1175  
 1176  
 1177  
 1178  
 1179  
 1180  
 1181  
 1182  
 1183  
 1184  
 1185  
 1186  
 1187  
 1188  
 1189  
 1190  
 1191  
 1192  
 1193  
 1194  
 1195  
 1196  
 1197  
 1198  
 1199  
 1200

1201  
 1202  
 1203  
 1204  
 1205  
 1206  
 1207  
 1208  
 1209  
 1210  
 1211  
 1212  
 1213  
 1214  
 1215  
 1216  
 1217  
 1218  
 1219  
 1220  
 1221  
 1222  
 1223  
 1224  
 1225  
 1226  
 1227  
 1228  
 1229  
 1230  
 1231  
 1232  
 1233  
 1234  
 1235  
 1236  
 1237  
 1238  
 1239  
 1240  
 1241  
 1242  
 1243  
 1244  
 1245  
 1246  
 1247  
 1248  
 1249  
 1250  
 1251  
 1252  
 1253  
 1254  
 1255  
 1256  
 1257  
 1258  
 1259  
 1260  
 1261  
 1262  
 1263  
 1264  
 1265  
 1266  
 1267  
 1268  
 1269  
 1270  
 1271  
 1272  
 1273  
 1274  
 1275  
 1276  
 1277  
 1278  
 1279  
 1280  
 1281  
 1282  
 1283  
 1284  
 1285  
 1286  
 1287  
 1288  
 1289  
 1290  
 1291  
 1292  
 1293  
 1294  
 1295  
 1296  
 1297  
 1298  
 1299  
 1300

1301  
 1302  
 1303  
 1304  
 1305  
 1306  
 1307  
 1308  
 1309  
 1310  
 1311  
 1312  
 1313  
 1314  
 1315  
 1316  
 1317  
 1318  
 1319  
 1320  
 1321  
 1322  
 1323  
 1324  
 1325  
 1326  
 1327  
 1328  
 1329  
 1330  
 1331  
 1332  
 1333  
 1334  
 1335  
 1336  
 1337  
 1338  
 1339  
 1340  
 1341  
 1342  
 1343  
 1344  
 1345  
 1346  
 1347  
 1348  
 1349  
 1350  
 1351  
 1352  
 1353  
 1354  
 1355  
 1356  
 1357  
 1358  
 1359  
 1360  
 1361  
 1362  
 1363  
 1364  
 1365  
 1366  
 1367  
 1368  
 1369  
 1370  
 1371  
 1372  
 1373  
 1374  
 1375  
 1376  
 1377  
 1378  
 1379  
 1380  
 1381  
 1382  
 1383  
 1384  
 1385  
 1386  
 1387  
 1388  
 1389  
 1390  
 1391  
 1392  
 1393  
 1394  
 1395  
 1396  
 1397  
 1398  
 1399  
 1400







**ADVANCED ELECTRONIC APPLICATIONS, INC.**  
 Title: PK-900 FRONT PANEL  
 Size Document Number: 012-124  
 Date: December 9, 1992 Sheet: 1 of 3

REV H

APPENDIX B

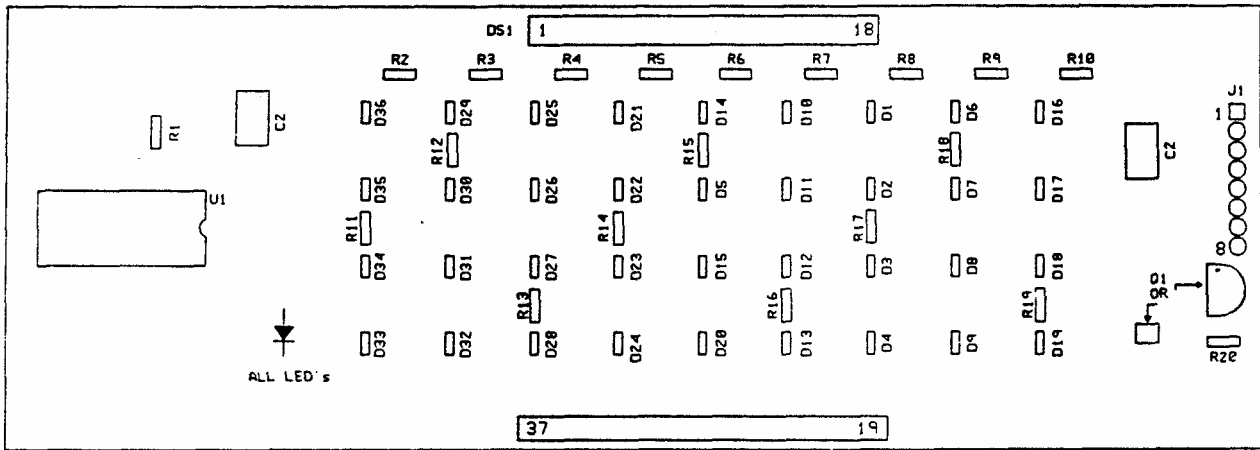


APPENDIX B

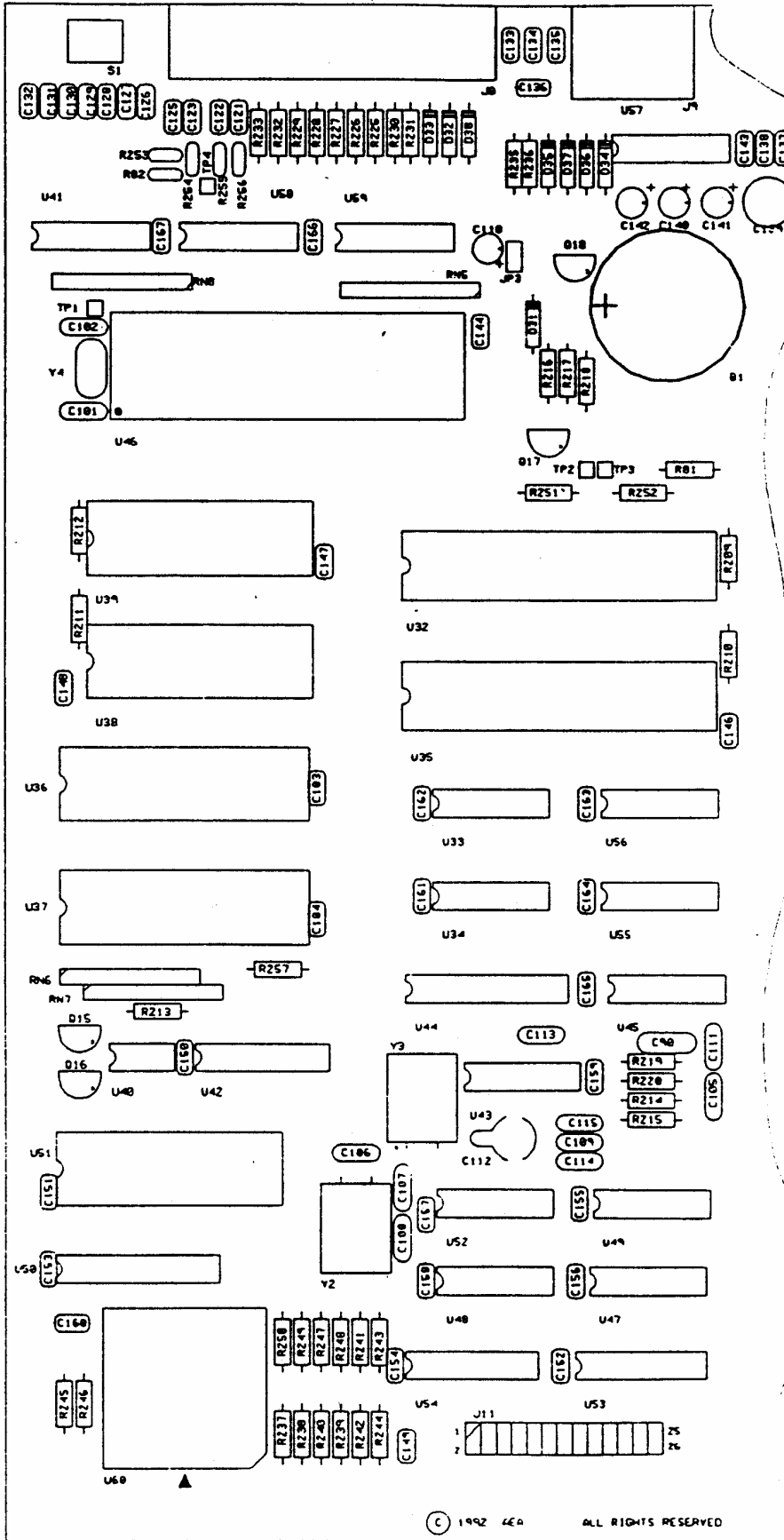


APPENDIX C

PK-900 Display Board PARTS PICTORIAL

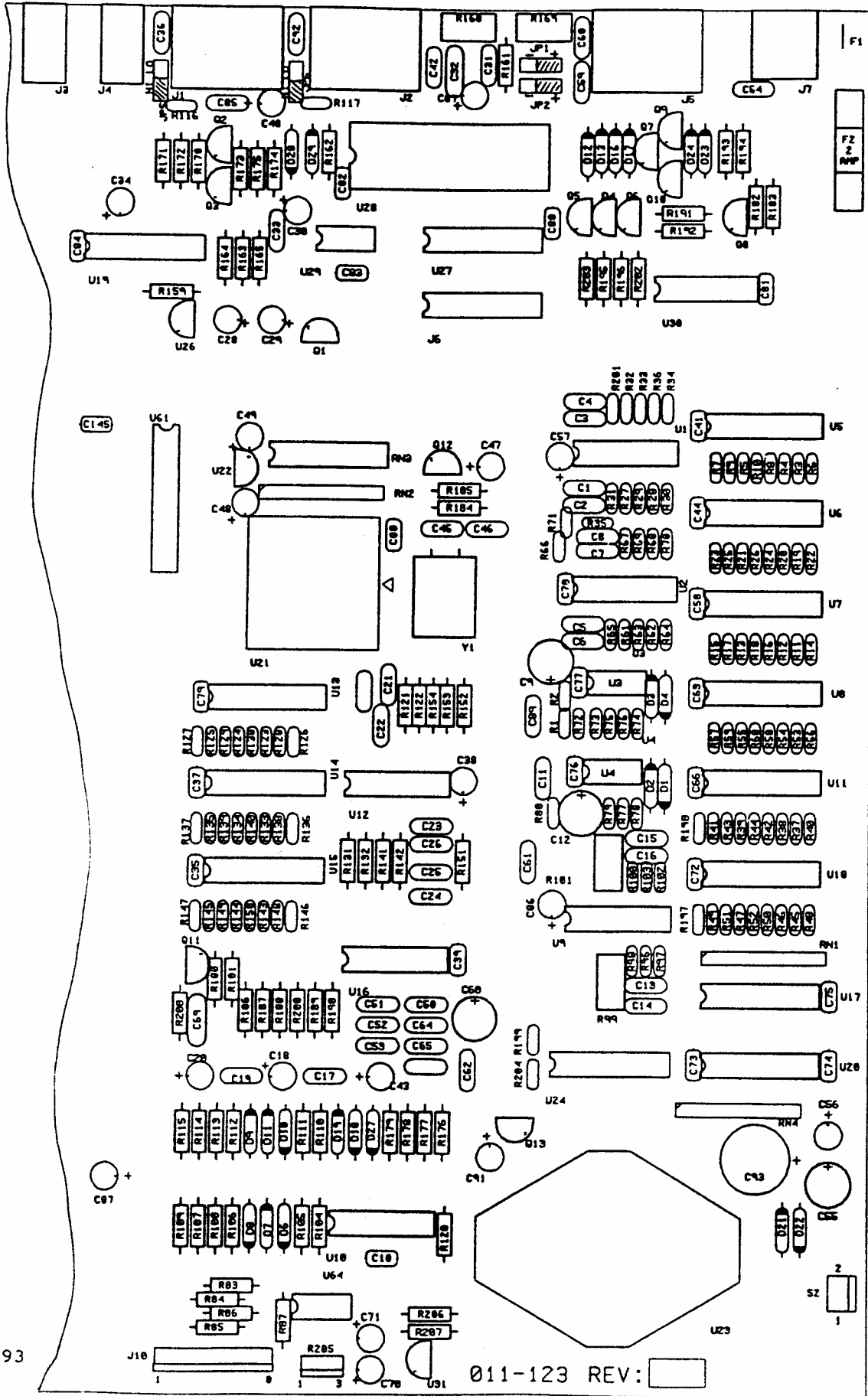


PK-900 Main Board Logic Section PARTS PICTORIAL



© 1992 4EA ALL RIGHTS RESERVED

PK-900 Main Board Logic Section PARTS PICTORIAL





**APPENDIX D**  
**TEST ROUTINE**

**DESCRIPTION**

The PK-900 contains a self test routine that is intended for factory calibration and Quality Control (QC). The user may also use the test routine to insure proper operation.

**SETUP**

Before starting the self test, analog loopback jumpers must be installed between pins 1 and 4 of each radio port. These are short lengths of #16 wire bent in a "U" shape to fit between these pins. Any other method of connecting pins 1 and 4 may be used.

Both rear panel AFSK level potentiometers will need to be set for this test. If you have them already set for your station, mark each position with a pencil before setting them for the tests so you can easily return them to their preset position. The rear panel AFSK TX level 1 and level 2 potentiometers must be set to midrange (the screwdriver slot vertical).

**VOLTAGE TESTS**

Start with the voltage test to determine that your PK-900 is working with the proper voltages.

Enter the voltage test command by typing "VO" after the command prompt:

```
cmd:VO <Enter>
```

The PK-900 will display three voltages:

The internal analog reference voltage which should be between 6.25 and 6.95 volts.

The 12 VDC input power. Two numbers will be displayed which are the minimum and maximum values of the applied voltage. With a well regulated power supply, these measurements will be nearly the same. With the standard wall transformer these numbers may have a difference of about 2 volts which is the peak to peak ripple. The minimum should be greater than 12.00 and the maximum less than 16.00 volts.

The internal 5 volt regulated supply. The voltage should be between 4.60 and 5.4 volts.

If the two internal values are not within range, there is a problem with the PK-900. If the 12 VDC values are not within range, there is a problem with your power supply.

PORT 1 MODEM TESTS

The TEST command tests all of the port 1 modems and allows you to adjust the discriminator frequencies if necessary. The TEST command will start with the discriminator adjustments and pauses to allow you to adjust the pots. Pressing any keyboard key (except Q) will cause the test to continue. Pressing Q at any time during the test will terminate the test. After the discriminator adjustments the test will proceed until completed. If you wish, you may have the test pause at each step by setting UBIT 23 ON before starting the test.

To start the test, enter the word "TEST" after the command prompt:

```
cmd:TEST <Enter>
```

DISCRIMINATOR TEST AND ADJUSTMENT

The first part of the test routine allows adjustment of the discriminator. The first test generates a Mark tone of 2110 Hz for adjustment of R101. Pressing any key except Q switches to the Space tone for adjustment of R99.

If the LCD bar graph has the two or three most left segments on during the Mark tone, R101 does not need adjustment. Otherwise, adjust R101 for the most left indication of the bargraph. An oscilloscope or AC voltmeter connected the SCOPE MARK output will provide a more sensitive indication of the peak.

Press the space bar for the next test, the Space tone of 2310 Hz. If the bargraph has the two or three most right segments on at this time, R99 does not need to be adjusted. Otherwise, adjust R99 for the most right indication of the bargraph. An oscilloscope or AC voltmeter connected the SCOPE SPACE output will provide a more sensitive indication of the peak.

BANDPASS FILTER TESTS

Press the space bar again to continue the test. You will be presented with the results of eleven tests. These are the results of the tests of the port 1 modem at selected frequencies. The first six of these sets of measurements tests each of the bandpass filters at four frequencies. The first and fourth measurements are outside the passband of the filter and should show numbers ranging from 65 to 75, typically 69 to 70. The second and third measurements are in the pass band of the filter and the results should be less than 60. (For these tests, lower numbers indicate higher amplitude.)

For example the first bandpass filter measurement, test 3024 has a typical result of:

```
Test 3024.  1850:  70   1990:  54   2400:  55   2560:  69
```

The first and fourth frequencies, 1850 and 2560 Hz are outside the passband of the filter and show the resting values of 70 and 69. The second and third frequencies, 1990 and 2400 Hz are within the passband and show active values of 54 and 55.

LOW PASS FILTER TESTS

The remaining five tests measure the post detection Low Pass Filter (LPF). The first frequency is within the passband of the filter and the second is outside the filter passband. (In these tests, lower values indicate lower amplitudes.)

Two different types of tests are used for the low pass filters. The first two LPF tests, (0312 and 0313) also test the zero crossing detector used for FAX and SSTV. The remaining three tests use the discriminator and a frequency modulated input. Normal results for tests 0312 and 0313 are:

Lower frequency result 45 to 55; higher frequency result 20 to 30.

Test 0330.    100: 56            530: 42

The last three tests use a different test technique to measure other parts of the demodulation system. The low frequency measurement result range is 50 to 65 and the higher frequency measurement result range is 30 to 45. Typical readings are:

Test 0334.	45: 59	240: 41
Test 0330.	100: 56	530: 42
Test 0332.	300: 52	1600: 38

Unsuccessful tests will be marked with asterisks

IO PORT TESTS

The calibrate command used to set transmit levels can also be use to test the CW keying lines, the FSK outputs and the PTT lines.

An internal test point, TP4, located between the DB-25 serial connector and U-58 may be used to test each of these lines in turn. The test point is also connected to pin 16 of the DB-25 serial connector. When this point is pulled to ground by, for example the radio 1 PTT, the front panel LCD will display the EXP annunciator.

BEFORE USING THE TEST POINT FOR MEASUREMENTS, ALL CONNECTIONS TO YOUR RADIO MUST BE DISCONNECTED FROM THE PK-900. VOLTAGES PRESENT ON SOME RADIOS ON THE PTT, CW KEYING AND FSK LINES WILL DAMAGE THE IC CONNECTED TO THIS TEST POINT.

To test the FSK lines, connect the test point to the FSK output to be tested, enter the calibration routine by typing CAL <Enter> and then use the space bar to toggle the FSK lines.

The positive CW and PTT keying lines may be tested in the same manner by connecting the test point to the CW keying output or PTT and press the "K" key to toggle these outputs. The EXP LCD should be on when the TX is showing on the LCD. The negative CW keying and negative PTT may not be tested with this test point. See figure D.1 for a simple negative keying test indicator.

The calibrate routine is exited by typing the "Q" key.

## LOOPBACK TESTS

All of the modems of port one have been tested by the TEST routine. The digital system and port 2 modem may be tested by performing a Packet transmission with the analog loopback jumpers in place. If you have not entered you call, either enter your call or the dummy calls AAA and BBB by typing at the command prompt:

```
cmd:MY AAA/BBB <Enter>
```

Enter the following commands if you have not already done so:

```
cmd:CHS $7C <Enter>
cmd:VHF ON/ON <Enter>
cmd:PA <Enter>
cmd:|0 <Enter>
cmd:HB 1200/1200
cmd:k <Enter>
this is a test <Enter>
```

The PK-900 will respond to each command with the previous data and the new data. You should get the response to the last line:

```
p1 AAA*>CQ
this is a test
```

Return to the command mode by typing:

```
<CTRL-C> (Hold the CTRL key down and type the C)
```

To test port 2, change to port 2 by typing:

```
cmd:|A <Enter>
```

Now enter the following:

```
cmd:k <Enter>
this is another test
```

The PK-900 will respond with:

```
p2 BBB*>CQ
this is another test
```

Return to the command mode with <CTRL-C>. This completes the tests.

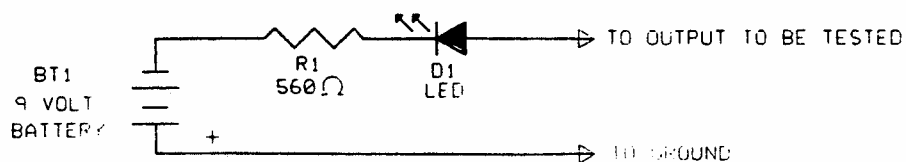


Figure D.1 Simple negative keying indicator



# APPENDIX E - SPECIFIC RADIO CONNECTIONS

This appendix provides radio connection information from your AEA/Timewave data controller to approximately 400 different models of amateur transceivers.

Each radio listed references a connection figure and possibly a note on connections. Notes are below on this page. Connection figures appear following the table of radios. All PIN type wiring connections are viewed from wiring/solder side of plug.

The wire colors used on the diagrams refer to the wires in the radio cables supplied with your AEA data controller. The standard minimum configuration will allow operating of all HF modes with your radio set for SSB operation. When wiring information refers to FSK connections, these connections allow you to operate your radio in the RTTY or FSK mode, and usually results in a purer transmitted signal and usually allow using narrow filters not always available when the radio is set for SSB operation.

## Radio Connection Notes

- Note 1** Receive audio is not available on the microphone jack of all radios. If you make this connection and are unable to receive, use the speaker jack on the rear panel of the radio as a source of receive audio.
- Note 2** Your radio may not require a plug with 3 connections, i.e. tip, ring, and sleeve. We suggest you use the 3conductor "stereo" plug wired as shown so that if you change radios in the future to another model with this same connections scheme, your cable will be compatible without modification.
- Note 3** Older Icom transceivers which use the 8-pin microphone plug may not have receive audio connected to the microphone jack on pin 8. In this case pin 8 is unused. We suggest you make the connection as diagrammed even if your radio does not have receive audio available at pin 8, so that if you change to a newer model Icom radio the cable will be ready to use without modifications. If you make this connection and are unable to receive, use the speaker jack on the rear panel of the radio as a source of receive audio.
- Note 4** If you have difficulty in locating an 8-pin DIN plug for this connection, a 5-pin DIN may be used in its place. A 5-pin DIN has all the required pins for connections to Icom HF rigs, because pins 6, 7, and 8 are not used. The numbering and arrangement of the remaining pins is unchanged.
- Note 5** In most Ten-Tec radios where an FSK input is provided, a pull-up resistor to a positive power source is required to produce proper function of the FSK keyer in the radio. Contact Ten-Tec for recommendations on how to add this resistor to the radio to which you are connecting.
- Note 6** This connection only valid with PCB-88, PK-96, DSP-1232, DSP-2232, and PK-900 Radio Port 2 only. This connection is also appropriate for use at 9600 baud applications with radio in DATA mode.
- Note 7** This connection only valid with PCB-88, PK-96, DSP-1232, DSP-2232, and PK-900 Radio Port 2 only.
- Note 8** This radio uses negative push-to-talk signaling. Change the appropriate keying polarity jumper in the data controller. See installation chapter for details.
- Note 9** **Based** on our experiences with this radio and its RF susceptibility we recommend using this connection diagram if you choose to use **the ACC2 connector**. This radio has shown susceptibility to entry of RF on pin 11 of the ACC2 connector, so we do not connect the AFSK (White wire) in this diagram. Use the FSK mode of this radio when you wish to operate data modes.

## SPECIFIC RADIO CONNECTIONS

<b>ALINCO</b>	<b>Figure</b>	<b>Note</b>	<b>ICOM</b>	<b>Figure</b>	<b>Note</b>
ALD-24T	1		IC-02 SERIES	5	2
ALR-22HT	1		IC-03 SERIES	5	2
ALR-22T	1		IC-04 SERIES	5	2
ALR-72T	1		IC-12	5	2
DJ-100	45		IC-120	12	3
DJ-120T	45		IC-1201	12	3
DJ-160T	5	2	IC-1271 SERIES	12	3
DJ-162T	5	2	IC 1275 SERIES	12	3
DJ-180T	5	2	IC-12G SERIES	5	2
DJ-200	45		IC-2 SERIES	5	2
DJ-500	45		IC-20	10	
DJ-560T	5	2	IC-202	11	
DJ-580T	5	2	IC-21	10	
DJ-F1T	5	2	IC-211	15	
DJ-G1T	5	2	IC-215	11	
DR-110T	1	1	IC-22	10	
DR-112T	1	1	IC-228 SERIES	12	3
DR-119T	2	1	IC-229 SERIES	49	
DR-1200T	2	1	IC-22A	10	
DR-130T	50	1	IC-22S	11	
DR-430T	1	1	IC-22U	12	3
DR-510T	1	1	IC-230	10	
DR-570T	1	1	IC-2330 SERIES	49	
DR-590T	3	1	IC-2400	12	3
DR-592T	3	1	IC-2410 SERIES	49	
DR-599T	3	1	IC-245	11	
DR-600T	3	1	IC-24AT	5	2
<b>AZDEN</b>	<b>Figure</b>	<b>Note</b>	IC-25 SERIES	12	3
All W/ 12-PIN CONN	46		IC-2500	12	3
All W/8-PIN AMP	4		IC-251	15	
PCS-2000	46		IC-255	12	3
PCS-5000	4		IC-255	14	
PCS-6000	4		IC-260	12	3
PCS-7000	4		IC-260	14	
<b>COLLINS</b>	<b>Figure</b>	<b>Note</b>	IC-27 SERIES	12	3
KWM-380	6		IC-271 SERIES	12	3
<b>DRAKE</b>	<b>Figure</b>	<b>Note</b>	IC-275 SERIES	12	3
T4X	8	8	IC-28 SERIES	12	3
T4XB	8	8	IC-280	11	
T4XC	8		IC-281	51	
TR-22	7		IC-281	52	6
TR-3	8		IC-290 SERIES	12	3
TR-33	7		IC-2G SERIES	5	2
TR-4	8	8	IC-2GX	5	2
TR-4C	8	8	IC-21 SERIES	5	2
TR-4CW	8		IC-2S SERIES	5	2
TR-6	8	8	IC-2SR SERIES	9	
TR-7	7		IC-3SERIES	5	2
UV-3	7		IC-30	10	

IC-3200 SERIES	12	3
IC-3210 SERIES	12	3
IC-3220 SERIES	12	3
IC-3230 SERIES	49	
IC-375 SERIES	12	3
IC-37A	12	3
IC-38A	12	3
IC-3S SERIES	5	2
IC-4 SERIES	5	2
IC-402	11	
IC-449 SERIES	49	
IC-45 SERIES	12	3
IC-451	15	
IC-47 SERIES	12	3
IC-471 SERIES	12	3
IC-475 SERIES	12	3
IC-48 SERIES	12	3
IC-490 SERIES	12	3
IC-4G SERIES	5	2
IC-4S SERIES	5	2
IC-4SR SERIES	9	
IC-502	11	
IC-505	12	3
IC-551 SERIES	12	3
IC-551 SERIES	15	
IC-560	12	3
IC-575	12	
IC-575 SERIES	12	3
IC-60	10	
IC-707	12	3
IC-720	12	3
IC-720A	15	
IC-725	12	3
IC-725	16	4
IC-726	12	3
IC-726	16	4
IC-728	12	3
IC-728	16	
IC-729	12	3
IC-729	16	
IC-730	12	3
IC-735	12	3
IC-735	16	4
IC-737	12	3
IC-737	16	
IC-740	12	3
IC-740	13	
IC-745	12	3
IC-745	13	
IC-751	12	3
IC-751	13	
IC-761	12	3
IC-761	17	4

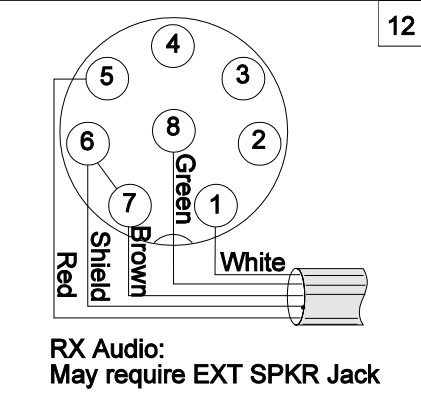
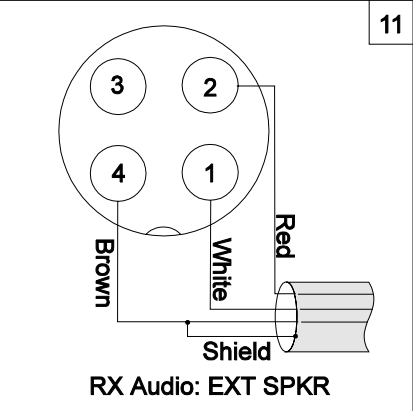
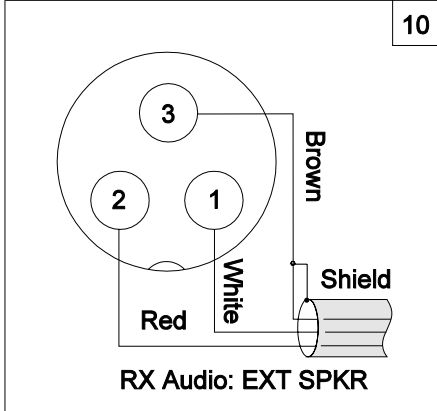
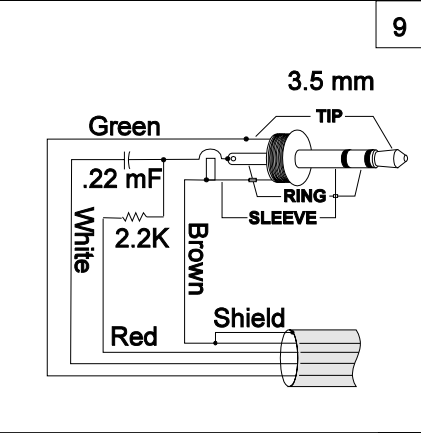
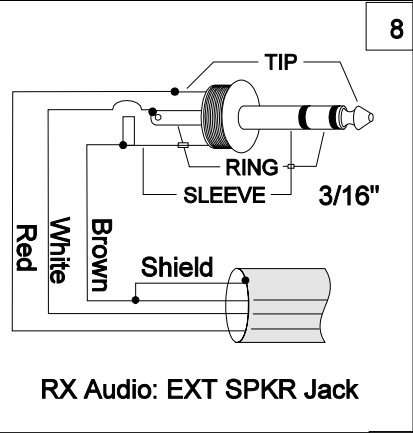
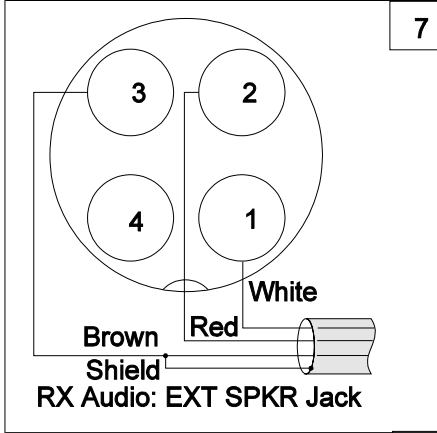
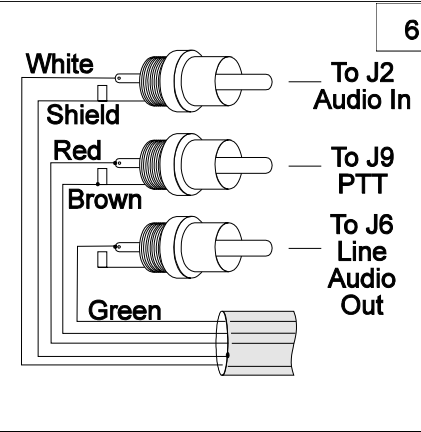
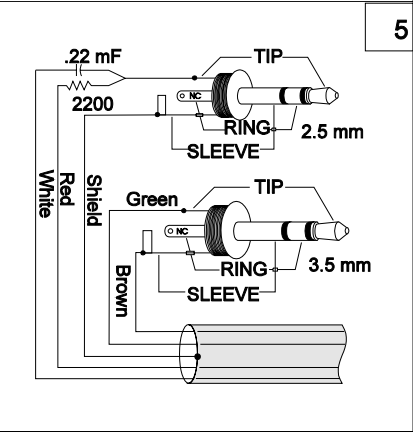
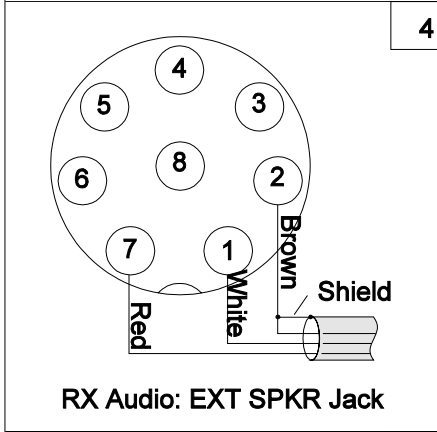
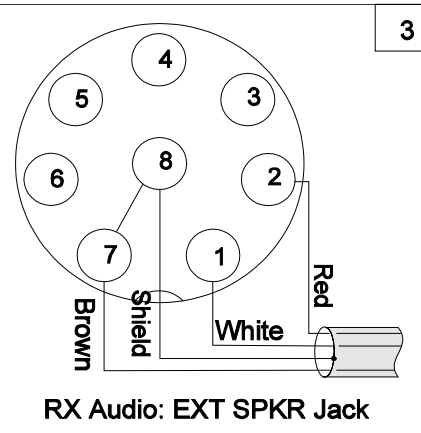
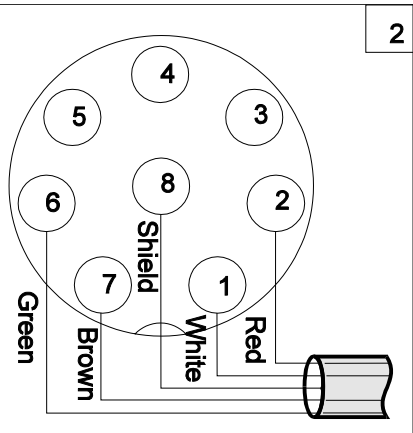
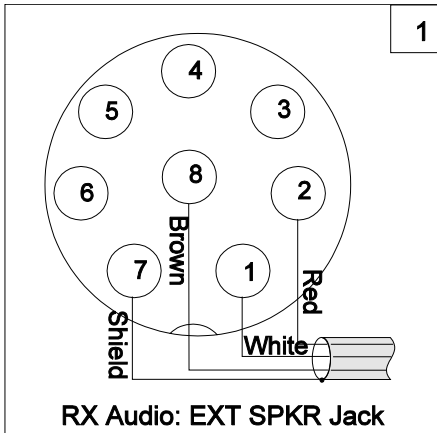
IC-765	12	3
IC-765	17	4
IC-781	12	3
IC-781	17	4
IC-901	12	3
IC-970	16	4
IC-D1A	9	
IC-P2 SERIES	5	2
IC-P3 SERIES	5	2
IC-P4 SERIES	5	2
IC-U2 SERIES	5	2
IC-U4 SERIES	5	2
IC-V21 SERIES	5	2
IC-W21 SERIES	5	2
IC-W2A	9	
IC-X21 SERIES	5	2
IC-X2A	9	
<b>KANTRONICS</b>	<b>Figure</b>	<b>Note</b>
D4-10	43	
DVR 2-2	43	
<b>KENWOOD</b>	<b>Figure</b>	<b>Note</b>
TH-205	31	
TH-21	31	
TH-215	31	
TH-22	31	
TH-225	31	
TH-25	31	
TH-27	31	
TH-28	31	
TH-31	31	
TH-315	31	
TH-41	31	
TH-42	31	
TH-45	31	
TH-47	31	
TH-48	31	
TH-75	31	
TH-77	31	
TH-78	31	
TM-201	3	
TM-221	3	
TM-231	3	
TM-231	53	7
TM-241	3	
TM-241	53	7
TM-2530	3	
TM-2550	3	
TM-2570	3	
TM-321	3	
TM-331	3	
TM-331	53	7
TM-3530	3	
TM-401	3	

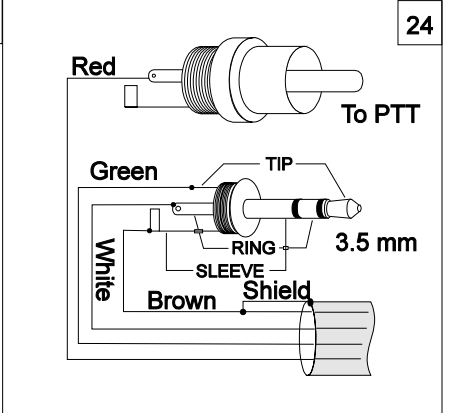
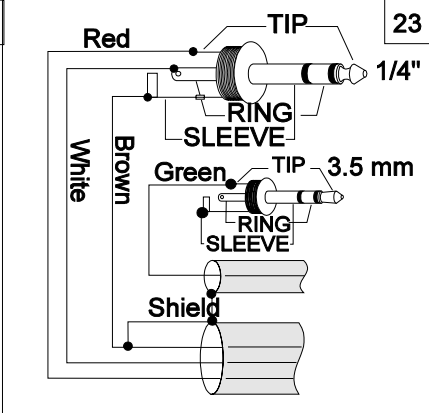
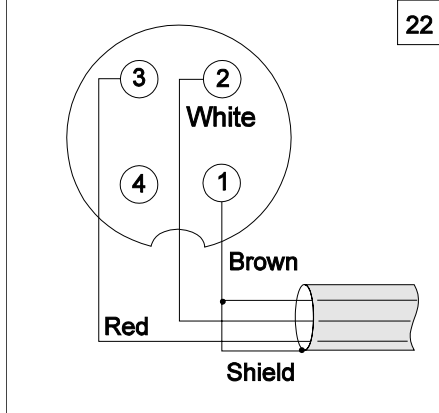
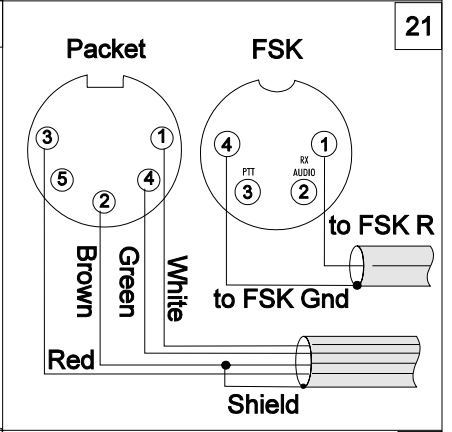
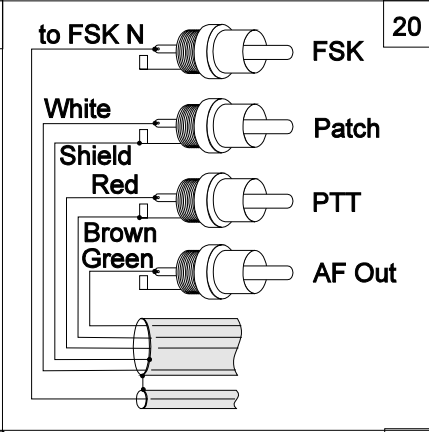
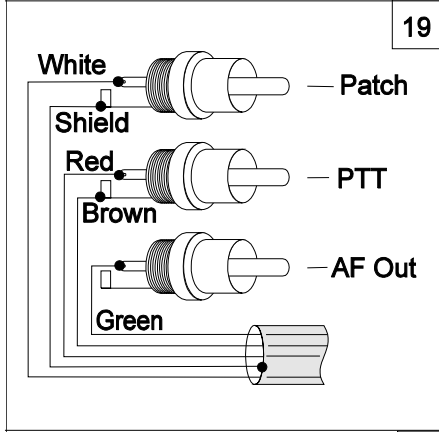
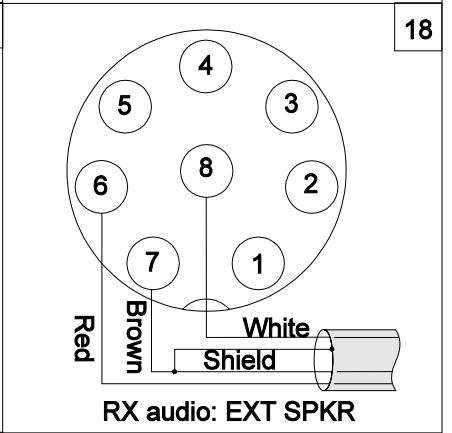
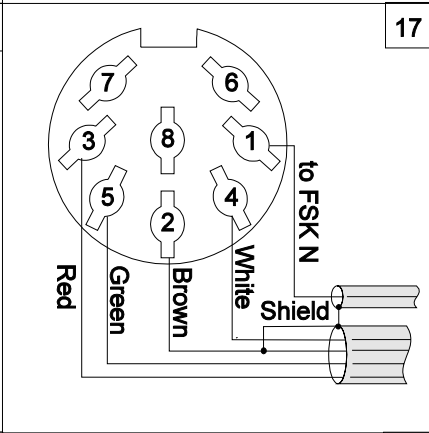
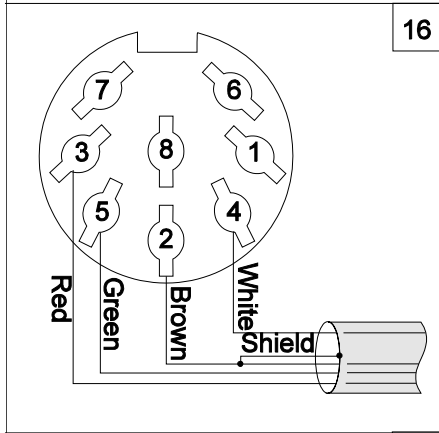
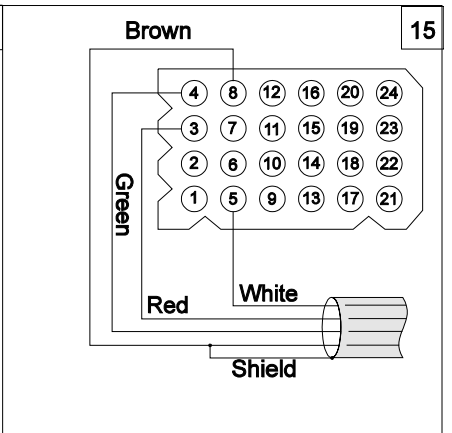
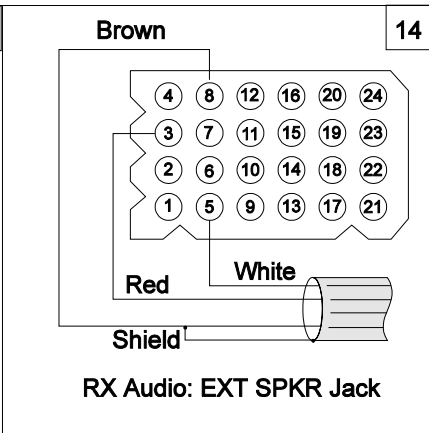
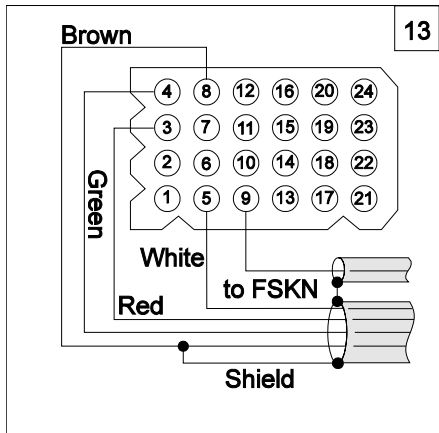
TM-421	3	
TM-431	53	7
TM-441	3	
TM-531	3	
TM-531	53	7
TM-541	3	
TM-621	3	
TM-631	3	
TM-631	53	7
TM-641	47	
TM-701	53	7
TM-721	3	
TM-731	3	
TM-731	53	7
TM-732	47	
TM-741	47	
TM-742	47	
TM-941	47	
TM-942	47	
TR-2200	11	
TR-2300	11	
TR-2400	33	
TR-2500	32	
TR-2600	31	
TR-3200	3	
TR-50	3	
TR-7400	11	
TR-7500	32	
TR-751	3	
TR-7600	37	
TR-7730	36	
TR-7750	36	
TR-7800	36	
TR-7850	36	
TR-7930	36	
TR-7950	36	
TR-851	3	
TR-9000	36	
TR-9130	36	
TR-9500	36	
TS-120	11	
TS-130	11	
TS-140	3	
TS-140	35	
TS-430	3	
TS-440	3	
TS-440	34	
TS-450	3	
TS-450	38	
TS-450	54	9
TS-490	11	
TS-50	39	
TS-50	53	7

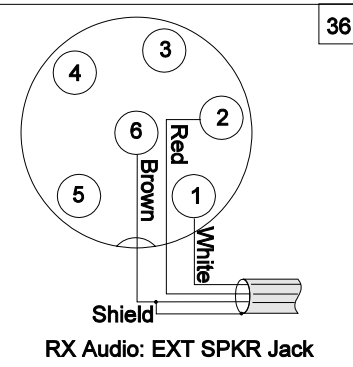
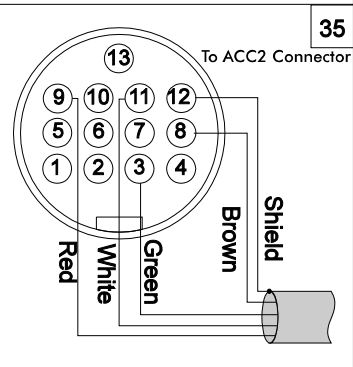
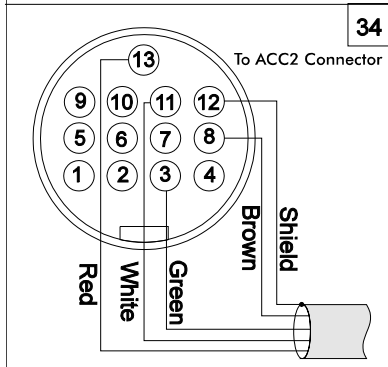
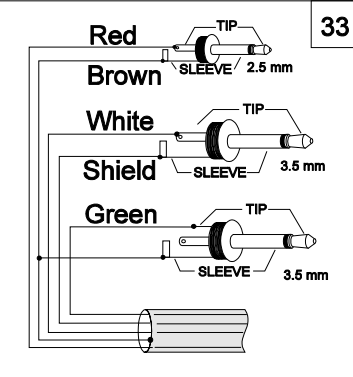
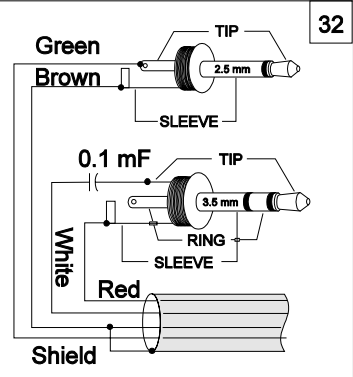
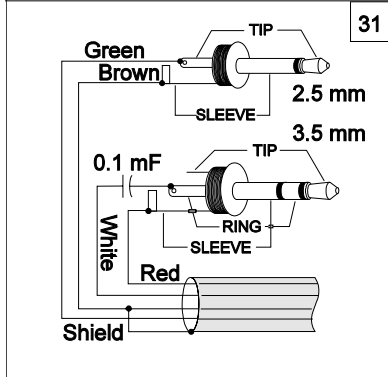
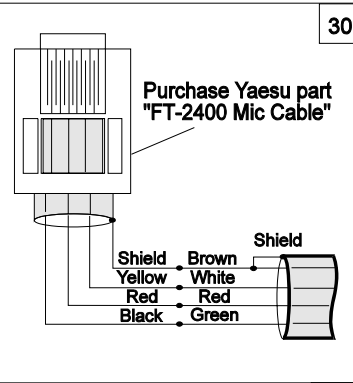
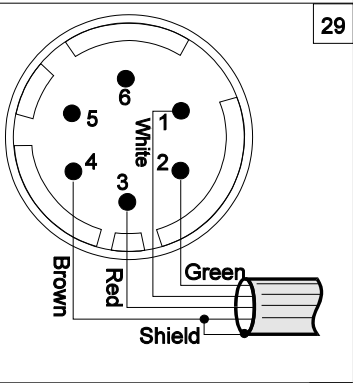
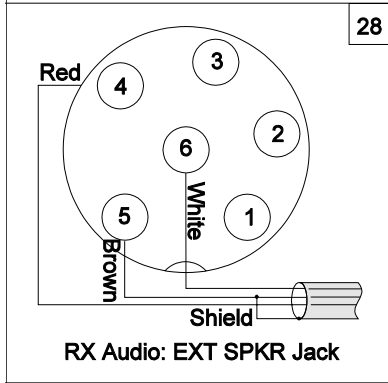
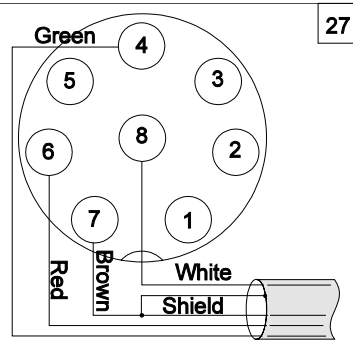
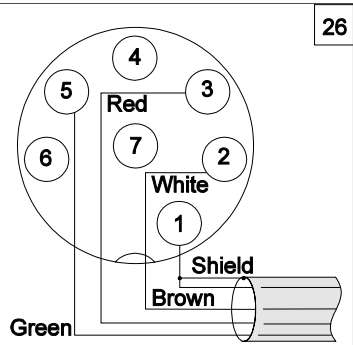
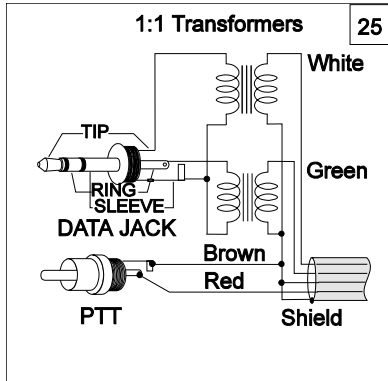
TS-520	11	
TS-530	11	
TS-60	39	
TS-60	53	7
TS-670	3	
TS-680	3	
TS-680	35	
TS-690	3	
TS-690	35	
TS-700	11	
TS-701	3	
TS-711	3	
TS-711	34	
TS-780	3	
TS-790	3	
TS-790	35	
TS-811	3	
TS-811	34	
TS-820	11	
TS-830	11	
TS-850	3	
TS-850	39	
TS-850	55	9
TS-900	11	
TS-930	3	
TS-940	3	
TS-940	34	
TS-940	56	9
TS-950	3	
TS-950	39	
TW-4000	3	
TW-4100	3	
<b>RADIO SHACK</b>	<b>Figure</b>	<b>Note</b>
HTX-100	2	
HTX-202	5	2
HTX-404	5	2
<b>RANGER</b>	<b>Figure</b>	<b>Note</b>
AR-2500	44	
<b>STANDARD</b>	<b>Figure</b>	<b>Note</b>
C-128	5	2
C-168	5	2
C-188	5	2
C-228	5	2
C-288	5	2
C-468	5	2
C-468	5	2
C-488	5	2
C-500	5	2
C-528	5	2
C-558	5	2
C-628	5	2
<b>TEN-TEC</b>	<b>Figure</b>	<b>Note</b>

AII W/ 4-PIN AMP	41	5
ALL W/.25" PLUG	42	
ARGONAUT II	41	
DELTA II	41	
PARAGON	41	5
<b>UNIDEN</b>	<b>Figure</b>	<b>Note</b>
HR-2510	40	
HR-2600	40	
<b>WILSON</b>	<b>Figure</b>	<b>Note</b>
MARK II	29	
MARK IV	29	
WE-800	29	
<b>YAESU</b>	<b>Figure</b>	<b>Note</b>
CPU-2500	28	
FT-1	18	
FT-1	20	
FT-1000 SERIES	18	
FT-1000 SERIES	20	
FT-101	22	
FT-101B	22	
FT-101E	22	
FT-101EE	22	
FT-101EX	22	
FT-101ZD	22	
FT-102	18	
FT-103R	5	2
FT-107	18	
FT-109	5	2
FT-11	5	2
FT-200	23	
FT-203	5	2
FT-207	29	
FT-208	29	
FT-209	5	2
FT-211	18	
FT-211RH	27	
FT-212RH	27	
FT-2200	18	
FT-221	22	
FT-227	22	
FT-23	5	2
FT-230	26	
FT-231R	27	
FT-2400	30	
FT-26	5	2
FT-270	26	
FT-2700	27	
FT-290 MK I	26	
FT-290 MK II	18	
FT-290 MK II	27	
FT-2F	22	
FT-311RM	27	
FT-33	5	2

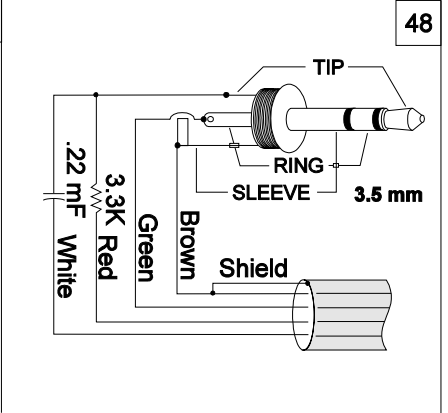
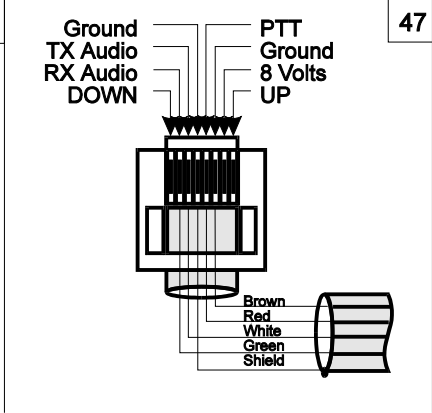
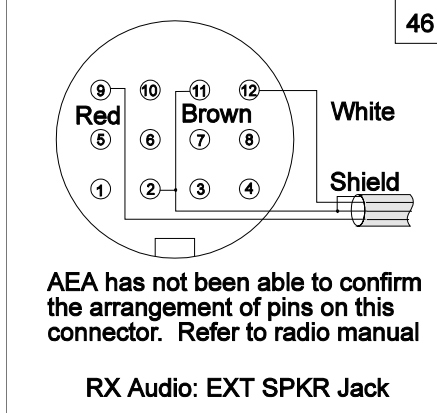
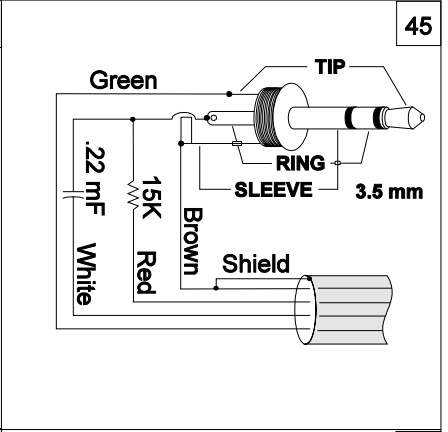
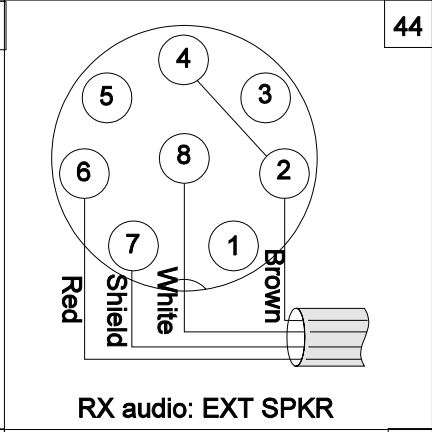
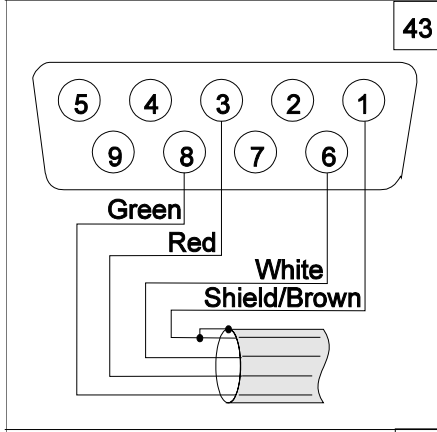
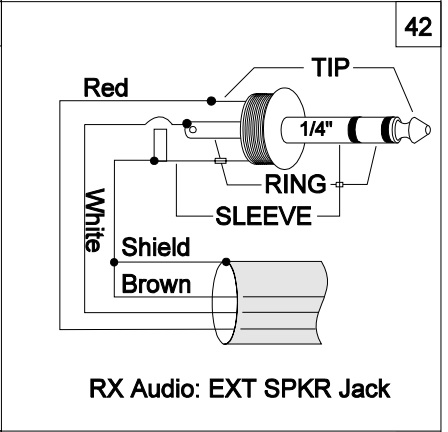
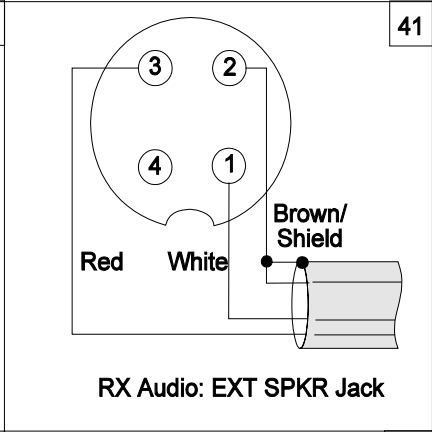
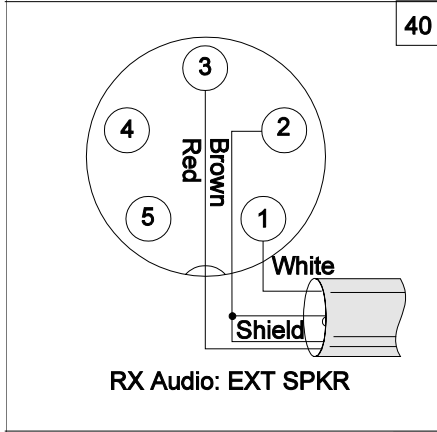
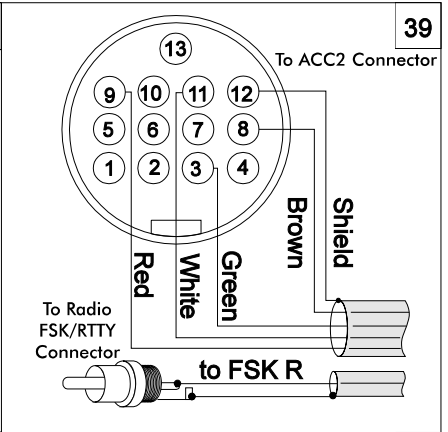
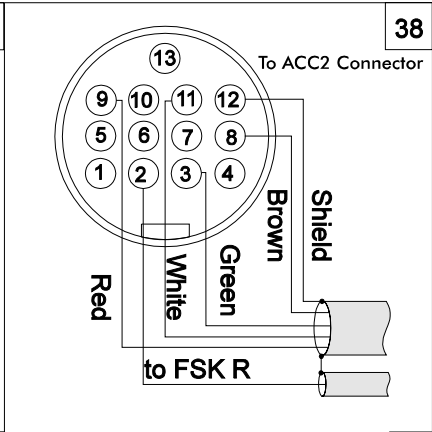
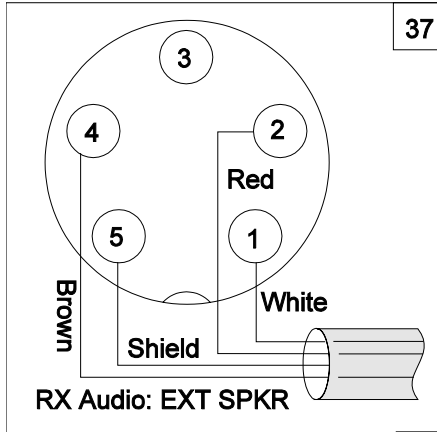
FT-41	5	2
FT-411	5	2
FT-415	5	2
FT-416	5	2
FT-470	5	2
FT-4700	27	
FT-480	18	
FT-5100	18	
FT-5100	48	
FT-5200	27	
FT-530	5	2
FT-6200	27	
FT-650	18	
FT-690 MK I	26	
FT-690 MK II	18	
FT-690 MK II	27	
FT-703	5	2
FT-707	18	
FT-708	29	
FT-709	5	2
FT-711RH	27	
FT-712	18	
FT-7200	18	
FT-726	18	
FT-727	5	2
FT-73	5	2
FT-730	26	
FT-736	18	
FT-736	25	
FT-7400	30	
FT-747	18	
FT-757	18	
FT-757	19	
FT-76	5	2
FT-767	18	
FT-767	19	
FT-767	24	
FT-77	18	
FT-790 MK I	26	
FT-790 MK II	18	
FT-790 MK II	27	
FT-811	5	2
FT-815	5	2
FT-816	5	2
FT-840 SERIES	18	
FT-890	18	
FT-901	22	
FT-902	22	
FT-911	5	2
FT-912	18	
FT-980	18	
FT-990 SERIES	18	
FT-990 SERIES	21	

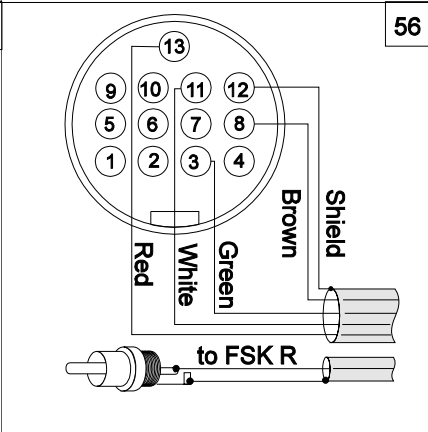
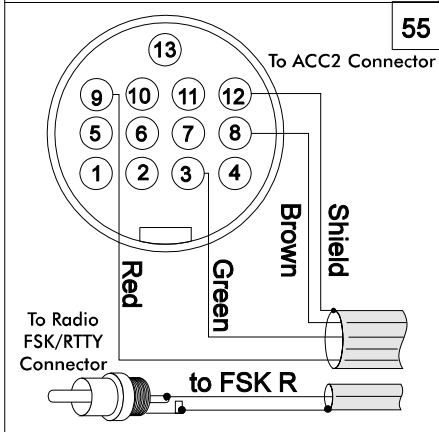
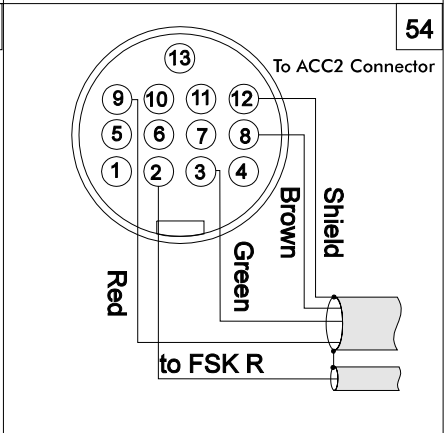
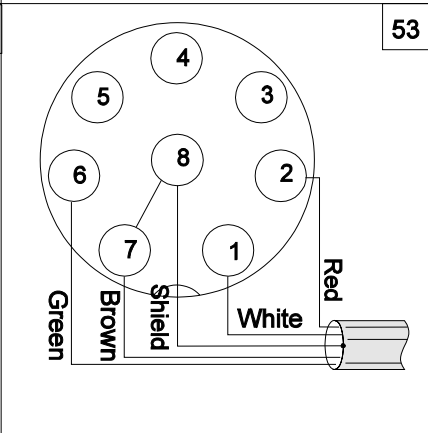
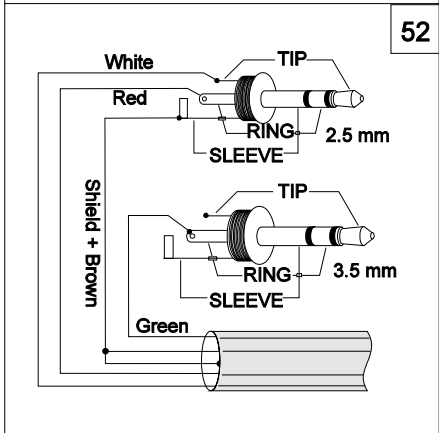
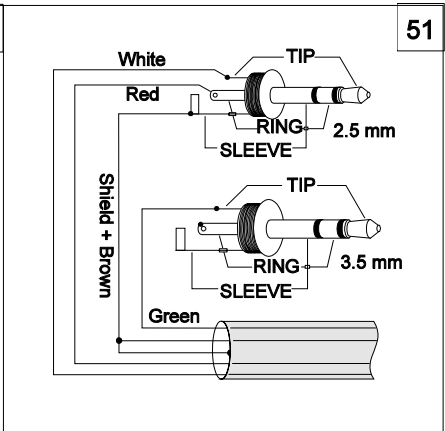
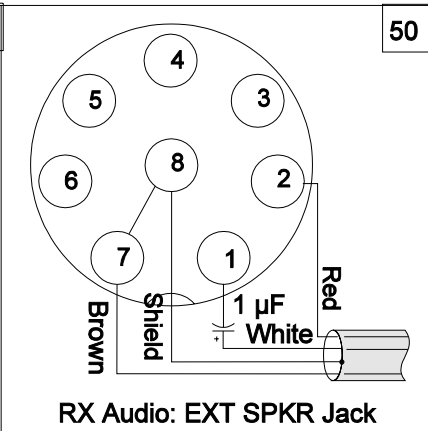
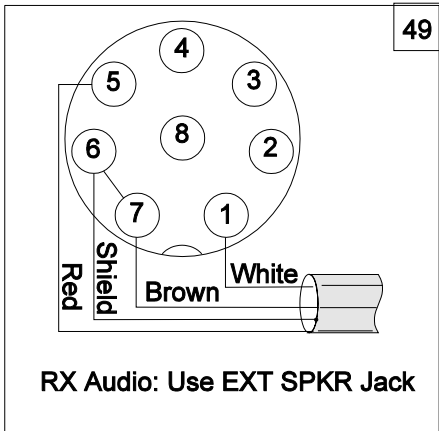














**Original AEA Warranty - obsolete - PK-900 is no longer in production (12/17/02)**

LIMITED WARRANTY

ADVANCED ELECTRONIC APPLICATIONS, INC. warrants to the original purchaser that this product shall be free from defects in material or workmanship for one year from the date of original purchase. In order to obtain warranty service: 1) Complete and mail the warranty registration card within 10 days to Advanced Electronic Applications, Inc., and 2) Send written notification to the address below or telephone as soon as possible after discovering a possible defect:

Advanced Electronic Applications, Inc.  
Attention: Service Department  
2006-196th St. S.W.  
Lynnwood, WA 98036  
(206) 775-7373

The written notification must include a copy of the invoice. Include a description of the defective part or condition, with details of the electrical connections to associated equipment and list such equipment. Please enclose your name, phone number, and address. Shipping charges for any parts or units submitted for replacement under this warranty must be paid by the purchaser.

Correct maintenance, repair and use are important to insure proper performance from this product. Carefully read the Instruction Manual. This warranty does not apply to any defect AEA determines is caused by 1) Improper maintenance or repair, including the installation of parts or accessories that do not conform to the quality and specification of the original parts; 2) Misuse, abuse, neglect, or improper installation; 3) Accidental or intentional damage. The field installation of circuits according to the explicit instructions of AEA will not nullify this warranty.

All implied warranties, if any, terminate one year from the date of original purchase. AEA is not responsible for damage to other equipment or property or any other consequential damages. Some states do not allow limitations of how long an implied warranty lasts or do not allow the exclusion of incidental or consequential damages, therefore, the above limitations and exclusions may not apply to you.

This warranty gives specific legal rights. You may also have other rights which vary from state to state.

---

# PK-900

## Gateway Option Supplement

Thank you for your purchase of Timewave's Gateway firmware option for the PK-900! Please read the enclosed sheet, *PK-900 EPROM Installation Instruction*, for instructions on how to install your new firmware.

---

### New feature outline:

- Cross-mode Gateway includes packet/AMTOR, packet/PACTOR and packet/packet operation. (See the new GUSERS and XGATEWAY commands for details).
- AEA packet "node" helps eliminate the need for digipeating.
- Enhanced AMTOR- and PACTOR-listen modes show link and connect attempts.
- Automatic selection of AMTOR or PACTOR modes when a received signal is tuned with the ARXTOR command.
- Enhanced packet MHEARD function identifies TCP/IP, NET/ROM and <The-Net> stations.
- MYALIAS has been expanded to enable the "two-ham family" to use more than one packet callsign with their PK-900.
- PACTOR "roundtable" operation has been enhanced with the PTROUND command.
- New EXPERT command now included so you're no longer burdened with a large number of commands to view.
- Full break-in CW operation is simplified with MOPTT.
- The CODE command has been expanded to include the upper/lower case extensions used by AMTOR MSO and APLINK stations.
- The SIAM (Signal) mode now identifies PACTOR stations.

This page intentionally left blank.

---

# Gateway Operation

Your PK-900 now has a capability never before offered in a multi-mode controller: the ability to “gateway” from packet-to-AMTOR, packet-to-PACTOR, and of course packet-to-packet. Under your command, you can allow packet users, connecting to Port 2, the ability to monitor and link to other AMTOR, PACTOR and even packet stations using your HF radio on Port 1.

This powerful capability deserves a note of caution for American operators: under current FCC regulations, an Amateur isn't allowed to operate an HF station under ***automatic control*** unless a Special Temporary Authorization (STA) is obtained from the FCC to permit this type of operation. At this writing, rule changes are being considered to allow HF operation under automatic control in certain band segments; until they're adopted you, the Control Operator, must be present when the Gateway function is in use.

## The old gateway as a digipeater

The original function of the GATEWAY command in the PK-900 allowed cross-port packet digipeating which used end-to-end acknowledgment. This meant that an I-frame (packet) sent by the source station needed to be received correctly by the digipeater(s) and the destination station. The acknowledgement of the packet is also needed to pass from the destination station through the digipeater, then arrive at the source station intact. If there were any errors during a hop, or if one of the stations in the digipeating path failed to forward an *ack* packet, the whole packet/acknowledgement cycle had to start over.

Fortunately, this is now a thing of the past.

## Your New Gateway as a Node

Your Gateway firmware now supports local acknowledgement (*acks*) of packets like a full-service BBS/node does, so instead of users having to digipeat through your MYALIAS or MYCALL callsign to connect to a destination station, they can now simply connect to your MYGATE callsign. From there, they can issue a connect request to the station they want to reach, and your station will be responsible for accepting and sending packet data and *acks*. (Users *can't* digipeat through your MYGATE callsign.) Users can also enter the MHEARD command to see the last 18 stations *your* TNC has heard.

For your node to work, simply enter a call into MYGATE—but not the same one as your MYCALL, MYALIAS, or MYMAIL—and set GUSERS to a value greater than zero. To disable the node function, enter MYGATE *NONE* or set GUSERS to zero.

**Note:** With each station connected to your node, you'll lose a "logical" channel. So, if you have GUSERS set to 3, and three source stations have connected to three destination stations through your node, they'll take up six channels.

Users can instruct your Gateway to set up another connection either on the same radio port or the other one if XGATEWAY is ON.

The requirements for Gateway connection are:

- If Port 1 is to be used, OPMODE must be set to PACKET, AMTOR or PACTOR. (Port 2, of course, is always PACKET).
- The RADIO command must be set to enable the appropriate port(s).
- A modem supporting the appropriate port(s) and operating mode(s) must be selected using the MODEM command.
- MYCALL must be set for each radio port to be used.
- MYGATE must have a callsign, but not the same one as MYCALL, MYALIAS, or MYMAIL.
- GUSERS must be set to 1, 2 or 3.

Once connected to your Gateway, a user deals with a command processor similar to that in a "regular" node. Command responses from your Gateway start with "+++" to show that they're coming from your Gateway command processor, rather than the "\*\*\*" from your TNC. ("+++" was chosen because the "+" is present in the AMTOR character set while the other examples are not.)

## Operation

Here's what a user would see when using your Gateway as a packet node. In this example, your MYGATE call is set to N7ML-7:

```
cmd: C N7ML-7
*** CONNECTED to N7ML-7
+++ N7ML Gateway. Type ? for help.
de N7ML-7 (B,C,D,J,L,N,S,?) >
```

The first line is the user's connect request to your TNC. The second line is the connect message from the user's TNC. The third line is the greeting, and the fourth is the command prompt from the Gateway. The user sends a question mark, ?, to obtain the following help menu:

```
B(ye)           Log off gateway
C(onnect) n     Connect to station 'n'
C n STAY       Stay connected to gateway when 'n' disconnects
D(isconnect)   Cancel a connect attempt
J(heard)       Display stations heard
L(isten)       Toggle monitoring
N(odes)        Display nodes heard
S(end)         Broadcast unproto (call CQ)
de N7ML-7 (B,C,D,J,L,N,S,?) >
```



The commands' functions are:

- B(ye)** This is similar to the Bye command used in the AEA Maildrop and BBS stations. When a user enters a *B*, the Gateway will “disconnect.”
- C(onnect) *n*** Similar in operation to the CONNECT command in the packet mode. (Also used to connect in AMTOR and PACTOR instead of using the ARQ and PTCNN commands, respectively.)

For a packet connection, the user may connect to your Gateway, then specify a string of digipeaters:

*C W1AW VIA W2XY, W1XXZ*

Your Gateway will try to establish a connection with W1AW as the destination; the user's callsign will be shown as the source but with a difference: the user's SSID is decremented by one to avoid protocol conflicts on the same frequency.

Here is an example of the frames sent in establishing a typical connection (with the MONITOR command set to 5):

```

USER>GATE [C]
GATE>USER (UA)
GATE>USER [I]:
    +++ N7ML Gateway. Type ? for help.
    de GATE (B,C,D,J,L,N,S,?) >
USER>GATE (RR)
USER>GATE [I]:
    c remote
GATE>USER (RR)                USER-15>REMOTE [C]
                                REMOTE>USER-15 (UA)
GATE>USER [I]:
    +++ CONNECTED to REMOTE at GATE
USER>GATE (RR)
USER>GATE [I]:
    hello.
GATE>USER (RR)                USER-15>REMOTE [I]:
                                hello.
                                REMOTE>USER-15 (RR)
                                REMOTE>USER-15 [I]:
                                    Yes?
GATE>USER [I]:                USER-15>REMOTE (RR)
    Yes?
USER>GATE (RR)

```

Once the connection is established with the destination station, the Gateway notifies the user that the connection has been made; it then goes from the “Command” mode into the “Converse” mode. Now,

whatever the user sends, goes to the destination station as data instead of to the Gateway as a command.

Normally, when someone disconnects from your Gateway, no link will remain. However, if a user adds the word *STAY* as the last argument in a Connect request, (e.g., *C callsign STAY*), the user will remain connected to your Gateway even after disconnecting from the destination station.

If the connect attempt to the destination station retries out or is busy, your Gateway sends the user a `Retry count exceeded` or `(Remote) busy` message, but remains connected to the user even if *STAY* wasn't entered.

**D(isconnect)** (To cancel a connect attempt.) Since the source station remains in the Command mode until the connection to the destination station is established, there's no need for the user to wait for your Gateway to cycle through a full number of retries to attempt a connection—the user can send your Gateway a Disconnect request which cancels the Connect request the same way it would in a TNC's Command mode. (The user stays connected to your Gateway even if *STAY* wasn't used in the original Connect command.) The Disconnect command may be used at any time before the connection is established, regardless of any preceding commands.

Once a connection is established and your Gateway is in the Converse mode, the user can end the connection either by sending a `B(ye)` command to the destination station if that station supports it, or by issuing a Disconnect request to the user's own TNC. If the user disconnects from your Gateway this way, it will force your Gateway to disconnect the destination station.

**J(heard)** Your Gateway sends its `MHEARD` list to the user. Your Gateway's `DAYTIME` and `DAYSTAMP` commands affect the display—the designators "p1" and "p2" show the port on which each station was heard. A maximum of eighteen stations are kept in the `JHEARD` list.

**L(isten)** The Gateway toggles monitoring on or off. The Gateway monitors only on the radio port selected by the user (see `PORT` below), using the appropriate operating mode.

**N(odes)** Your Gateway sends the user a list of nodes heard. The format is the same as that of the `JHEARD` command, the difference being that a callsign is put in the Nodes list only if the monitored packet was a UI frame with a PID of `CF` (NET/ROM) or `CD` (IP). A maximum of ten stations are kept in the Nodes list. You clear the nodes list and the `MHEARD` list simultaneously with the same command, `MHEARD %`.

S(end)            Your Gateway responds with. . .

+++ Sending. To end, type '='.

. . . and sends all subsequent data in the broadcast format appropriate to the selected port's operating mode. The data characters are held until the user sends a (RETURN), whereupon the held data is broadcast.

In all operating modes, the user can stop sending "unproto" by sending the "=" character—the Gateway will then issue a command prompt. The "=" character shouldn't be used within the user's broadcast text.

---

## Cross-port gateway:

The requirements for cross-port Gateway connection are, in addition to the above:

- OPMODE must be PACKET, AMTOR, or PACTOR.
- If AMTOR is to be used, MYSELCAL must be set.
- If PACTOR is to be used, MYPTCALL must be set.
- If AMTOR or PACTOR are to be used, the receiver's volume and the DCD threshold control must be set so that the DCD display is lit if—and only if—signals are present.
- RADIO must be set to RADIO 1/2 (both ports enabled).
- Modems—using the MODEM command—supporting the appropriate OPMODE on Port 1 and packet on Port 2 must be selected.
- XGATEWAY must be ON.

### Packet (in) / Packet (out)

Here is what a user sees when using a cross-port Gateway as a packet node:

```
cmd:C N7ML-7
*** CONNECTED to N7ML-7
+++ N7ML Gateway. Other port (2) is 1200 bps Packet. Type ? for
help.
+++ You are on Port 1, 1200 bps Packet. Your ID is KB7B-15.
de N7ML-7 (B,C,D,J,L,N,P,S,?) >
```

Note that there is extra information showing which radio port the user is on and the configuration of the other radio port. The Help menu shows an additional command:

```
P(ort) 1/2      Access Port 1 or 2
```

P(ort)            Changes the port on which the user wants to connect, listen or broadcast. At the time the packet user connects to the gateway, access is always on the same radio port so a Port 2 packet user must select

PORT 1 to initiate a cross-port connection. Typing “Port” by itself shows the current value of PORT, the operating mode on that port, and the user’s ID to be used on that port. Port 1 AMTOR and PACTOR users can only access Port 2 (packet), so the PORT command isn’t implemented for them.

- L(isten)** None of the Gateway’s local commands affect monitoring—packet frames are shown to the user as if MONITOR and MCON were set to a value of 4 (UI, I, C, D, UA and DM frames). Other than that, monitoring behaves as if all other commands were set to their default values (no MPROTO, etc.).
- SEND** The Gateway sends UI frames with a destination of “CQ.” The source field is the user’s callsign with the SSID decremented by one.

### Packet (in) / AMTOR (out)

Here’s what a Port 2 packet user (KB7B) would see if accessing the AMTOR mode through Port 1 of your Gateway (ex.: N7ML-7):

```
cmd: C N7ML-7
*** CONNECTED to N7ML-7
+++ N7ML Gateway. Other port (1) is AMTOR. Type ? for help.
+++ You are on Port 2, 1200 bps Packet. Your ID is KB7B-15.
de N7ML-7 (B,C,D,J,L,N,P,S,?) >
p 1
+++ Cross Access to Port 1, AMTOR. Your ID is KKBB.
de N7ML-7 (B,C,D,J,L,N,P,S,?) >
```

At this point there are two ways for KB7B to establish an AMTOR link—the first is to call a known station directly:

```
C NBCD
+++ CONNECTED to NBCD at N7ML-7
+++ Note: Over = "+?", End = <CTRL-D>. You're sending.
N7BCD DE KB7B - HELLO +?
HI THERE...
```

Keeping in mind that only one station can transmit at a time, the packet user must end each transmission with +? (RETURN) to let the other station respond. Either station may end the communication; if it’s KB7B, a (CTRL-D) packet frame tells the Gateway to shut down the AMTOR link.

The other way to set up a link is to call CQ in AMTOR FEC and wait for an ARQ response:

```
S
+++ Sending. To end, type '='.
CQ CQ CQ DE KB7B SELCAL KKBB
CQ CQ CQ DE KB7B SELCAL KKBB K=
de N7ML-7 (B,C,D,J,L,N,P,S,?) >
+++ CONNECTED to ? at N7ML-7
```

```
+++ Note: Over = "+?", End = <CTRL-D>. You're receiving.
KB7B DE VE7ZZY HI NAME IS RALPH +?
HI, RALPH...
```

Note that the Gateway reports `CONNECTED to ?`. When using four-character identification, AMTOR has no provision for identifying the calling station. The caller generally identifies within the transmission text.

- L(isten)** The Gateway TNC is placed in ARQ Listen mode (Mode L). If the Gateway TNC's `ARXTOR` command is *ON*, it will also copy AMTOR FEC (Mode B).
- S(end)** The Gateway is placed in AMTOR FEC (Mode B) transmit mode. Transmission ends when the user sends "=".

## Packet (in) / PACTOR (out)

Here's what a Port 2 packet user sees when crossing over to PACTOR:

```
cmd: C N7ML-7
*** CONNECTED to N7ML-7
+++ N7ML Gateway. Other port (1) is PACTOR. Type ? for help.
+++ You are on Port 2, 1200 bps Packet. Your ID is KB7B-15.
de N7ML-7 (B,C,D,J,L,N,P,S,?) >
p 1
+++ Cross Access to Port 1, PACTOR. Your ID is KB7B.
de N7ML-7 (B,C,D,J,L,N,P,S,?) >
```

One way the user can establish a PACTOR link is to call a station directly:

```
cmd: C WF7A STAY
+++ CONNECTED to WF7A at N7ML-7
+++ Note: Over = <CTRL-Z>, End = <CTRL-D>. You're sending.
HI, RICH!
```

The other way is to call CQ in PACTOR Broadcast mode and wait for a response:

```
S
+++ Sending. To end, type '='.
CQ CQ CQ DE KB7B
CQ CQ CQ DE KB7B K=
de N7ML-7 (B,C,D,J,L,N,P,S,?) >
+++ CONNECTED to VE7ZZY at N7ML-7
+++ Note: Over = <CTRL-Z>, End = <CTRL-D>. You're receiving.
KB7B DE VE7ZZY - Hello...
```

Keeping in mind that only one station can transmit at a time, the packet station must end each transmission with a `(CTRL-Z)+(RETURN)` to clue the PACTOR station to respond. Either station may end the communication; if it's to be the packet station, sending a `(CTRL-D)` forces the Gateway to shut down the PACTOR link.

- L(listen)      Your Gateway is placed in PACTOR-Listen mode. If the ARXTOR command is *ON*, it will also monitor AMTOR FEC and ARQ. If in doubt, use the PORT command to see which mode is being copied.
- S(end)         The Gateway is placed in PTSEND. Transmission ends when the user sends “=”.

### AMTOR (in) / Packet (out)

With *XGATEWAY OFF*, your TNC accepts AMTOR calls to your MYSELCAL as normal AMTOR link-ups. With *XGATEWAY ON*, an AMTOR call to your MYSELCAL results in access to the Gateway and packet on Port 2. (The callsign in MYGATE plays no part in Gateway access from AMTOR.)

The AMTOR Maildrop has priority over the AMTOR gateway function—this means that with *TMAIL ON*, a station linking to your MYSELCAL can access your Maildrop. However, the AMTOR user may type the new Maildrop command (“G”) to access the Gateway—this surrenders the Maildrop to possible access by other users. There is no command in the Gateway to return to the Maildrop.

If a packet user is already connected to your Gateway on Port 2 and has issued the *PORT 1* command to access AMTOR, the Gateway detects AMTOR calls only to the packet user’s selcall, *not* your MYSELCAL.

There is no *PORT* command for AMTOR access. The AMTOR user is given access to packet on Port 2, automatically.

An AMTOR station linked to the Gateway command processor doesn’t need to send “+?” to let the Gateway transmit. The Gateway detects the (RETURN) at the end of the line, seizes the link to give the command response, and then gives transmission back to the user by ending the transmission with “+?”.

Once a packet connection has been established on Port 2, the Gateway seizes the AMTOR link on Port 1 only when it has data to send to the user, it then gives the link back by ending the transmission with “+?”.

Here is what an AMTOR user sees when connecting to your Gateway:

```
cmd: ARQ NNML
+++ N7ML GATEWAY. TYPE ? FOR HELP.
+++ ENTER YOUR CALLSIGN: +?
KB7B
+++ You are on PORT 2, 1200 BPS PACKET. YOUR ID IS KB7B-15.
KB7B DE N7ML-7 GA+?
```

One way to establish a packet connection is to call a station directly:

```
J
18:30:56 P2 N7BCD
KB7B DE N7ML-7 GA+?
C N7BCD STAY
+++ CONNECTED TO N7BCD AT N7ML-7
```

```
+?
HELLO
HI, NAME IS WALT ...
```

The other way is to call CQ in Unproto mode and wait for a response:

```
S
+++ SENDING. TO END, TYPE '='.
+?
CQ DE KB7B-15 FROM AMTOR=
KB7B DE N7ML-7 GA+?
+++ CONNECTED TO N7BCD AT N7ML-7
+?
HI, NAME IS WALT. WHAT DO YOU MEAN BY "FROM AMTOR"?
HELLO ...
```

One thing to keep in mind when accessing VHF packet from AMTOR is that the data rates on the two radio ports are widely different. In reading a long message from a packet BBS, the BBS sends the entire message to the Gateway packet port, then may time out and disconnect before the message has completed transmission on the AMTOR port. (The Gateway buffers the data so none of the message is lost.) However, on the packet side, the BBS has wasted time waiting for the next command, preventing other stations from using the BBS.

L(listen) Port 2 packet frames are shown to the user as if MONITOR and MCON were set to a value of 4 (UI, I, C, D, UA and DM frames). Some TNC monitoring characters are translated for AMTOR:

```
L
+++ LISTENING ON
KB7B DE N7ML-7 GA+?
P2 N7BCD)W1AW (C)
P2 N7BCD)W1AW (D)
+?
L
+++ LISTENING OFF
KB7B DE N7ML-7 GA+?
```

S(end) The Gateway sends UI frames with a destination of "CQ". The source field is the user's callsign with the SSID decremented by one. The Gateway holds the data characters until the user sends a (RETURN), whereupon the held data is broadcast.

### PACTOR (in) / Packet (out)

With *XGATEWAY OFF*, your TNC accepts PACTOR calls to your MYPTCALL as a normal PACTOR link-up. With *XGATEWAY ON*, a PACTOR call to your MYPTCALL results in access to the Gateway and therefore, packet mode on Port 2. (Your MYGATE call plays no part in Gateway access from PACTOR.)

The PACTOR Maildrop (TMAIL *OM*) has priority over the PACTOR Gateway. The Maildrop command (“G”) gives access to the Gateway as in AMTOR (see above).

If a packet user is already connected to your Gateway on Port 2 and has issued the PORT 1 command to access PACTOR, the Gateway detects PACTOR calls only to the packet user’s callsign, not your MYPTCALL.

There is no PORT command for PACTOR access—the PACTOR user is given access to packet on Port 2 automatically.

A PACTOR station linked to the Gateway command processor doesn’t need to send the PTOVER character to put your Gateway into transmit. In the “Command” mode, the Gateway detects the (RETURN) at the end of the line, seizes the link to give the response, then gives transmission back to the user. Once a packet connection has been established on Port 2, the Gateway seizes the PACTOR link on Port 1 only when it has data to send to the user—then it gives the link back.

Here’s what a PACTOR user sees when connecting to your Gateway:

```
cmd:PTCONN N7ML
+++ N7ML Gateway. Type ? for help.
+++ You are on Port 2, 1200 bps packet. Your ID is KB7B-15.
KB7B de N7ML (B,C,D,J,L,N,S,?) >
```

One way to establish a packet connection is to call a known station directly:

```
J
18:30:56 p2 N7BCD
KB7B de N7ML (B,C,D,J,L,N,S,?) >
C N7BCD STAY
+++ CONNECTED to N7BCD at N7ML-7
HELLO
Hi, name is Walt ...
```

The other way is to call CQ in the Unproto mode and wait for a response:

```
S
+++ Sending. To end, type =.
CQ DE KB7B-15 FROM PACTOR=
KB7B de N7ML (B,C,D,J,L,N,S,?) >
+++ CONNECTED to N7BCD at N7ML-7
Hi, name is Walt. What do you mean by "from pactor"?
HELLO ...
```

L(isten) Port 2 Packet frames are shown to the user as if MONITOR and MCON were set to a value of 4 (UI, I, C, D, UA and DM frames.)

```
L
+++ Listening ON
KB7B de N7ML (B,C,D,J,L,N,S,?) >
p2 N7BCD>W1AW [C]
p2 N7BCD>W1AW [D]
```



*L*

```
+++ Listening OFF
KB7B de N7ML (B,C,D,J,L,N,S,?) >
```

**S(end)** The Gateway sends UI frames with a destination of "CQ." The source field is the user's callsign with the SSID decremented by one. The Gateway holds the data characters until the user sends a (RETURN), whereupon the held data is broadcast.

### Error messages to the connected station (user)

Bad	An invalid callsign in response to the AMTOR prompt <code>Enter your callsign</code> . An invalid callsign as one of the arguments in the Connect command. An invalid argument to the <i>PORT</i> command.
Too many	Too many callsigns in the Connect command. Arguments in the Bye, Disconnect, Jheard, Listen, Nodes or Send commands.
Too long	Command longer than 85 characters. PACTOR callsign in Connect command was longer than 8 characters.
Range	PORT command argument not <i>1</i> or <i>2</i> .
Callsign	No argument in the Connect command.
What?	Unrecognized command.
?VIA	Connect command: second argument wasn't <i>STAY</i> or <i>VIA</i> .
Not during connect	While a connect attempt was in progress, the user issued a Listen, a Send, or another Connect command or tried to change Ports; the user must first disconnect.
Already disconnected	The user tried to disconnect when no connect was in progress.
Need MYSELcal	The packet user tried to make an AMTOR connect, but your TNC's MYSELCAL wasn't set.
None heard	The JHEARD or Nodes list is empty.
Channel busy	Connect or Send command while there is AMTOR or PACTOR activity on the channel. Gateway uses synced radio DCD to determine activity.
Port busy	Connect, Listen or Send command on a packet port where all multi-connect channels are being used. Attempt to use the PORT command to access a port whose operating mode isn't packet, AMTOR Standby or PACTOR Standby. Port 2 user attempt to access AMTOR or

PACTOR Port 1 if it was already in use by another Port 2 Packet user of the Gateway.

Not while listening

While listening, the user issued a Send or Connect command, or tried to change Ports. User must first type “Listen” again to toggle listening off.

---

## Miscellaneous

Every 9.5 minutes, the Gateway sends a Packet ID frame containing the Gateway call sign. The ID frame is sent even if the HID command is *OFF*.

In translating AMTOR/PACTOR input to packet output, the Gateway bundles the characters and sends them in packets every 10 seconds. The AMTOR/PACTOR user should be aware that the packet station may receive the data characters anywhere from 0 to 10 seconds after they’ve been sent from the Gateway.

No-activity timers: When the TNC’s CHECK timer runs out on a packet channel involving the Gateway, the Gateway stations are disconnected; CHECK defaults to 5 minutes. For AMTOR and PACTOR Gateway access, if “Traffic” status has not been achieved for 5 minutes, the Gateway terminates the link gracefully and disconnects any related packet connection on Port 2.

The MDMON command controls the monitoring of Gateway activity in addition to monitoring Maildrop activity.

To operate AMTOR or PACTOR modes normally (no gateway), disable the cross-mode gateway by setting XGATEWAY *OFF*. Subsequent user connect attempts to your MYSELCAL or MYPTCALL will go to the TNC, not the Gateway.

Making changes in the OPMODE, RADIO, or MODEM command settings while a user is connected won’t kill the gateway session. However, it is a good idea to check first to see if it’s in use—do this by entering CSTATUS before changing the TNC’s configuration.

It’s important to set the receiver’s volume and the DCD threshold control on the AMTOR/PACTOR radio port so the DCD display follows the presence or absence of signals. This prevents the Gateway SEND and CONNECT commands from interfering with other stations. If DCD is active at the time of a command that transmits, the Gateway sends the user a Channel busy message.

You can set ARXTOR *ON* and leave OPMODE set to PACTOR. This gives both AMTOR and PACTOR users access to the Gateway (and/or the Maildrop.)

You can designate upper/lower case AMTOR operation for better packet interfacing by setting CODE 2 (Cyrillic method), CODE 7, or 8. The AMTOR user, of course, must set the comparable commands in his own TNC.

The local TNC commands CTEXT, CMSG, MTEXT, and MMSG have no effect on Gateway operation.

See the following pages for information about the new commands available to you and enhancements to the current ones.

---

## PACTOR & AMTOR operation with ARXTOR

The ARXTOR command has been added to enhance PACTOR operation. When ARXTOR is turned ON, your DSP1232 will recognize either PACTOR or AMTOR link attempts. In addition, when monitoring PACTOR stations with PTLIST, AMTOR stations will also be heard if ARXTOR is ON.

ARXTOR is also useful for those running the PACTOR or AMTOR Maildrop. When ARXTOR is ON, remote stations can connect to your maildrop in either PACTOR or AMTOR. See the ARXTOR command description later in this supplement for the full details.

---

<b>AList</b>	Immediate Command
Mode: AMTOR	Host: AL

---

In AMTOR Listen (and PACTOR Listen) modes, monitored link attempts are now displayed like this:

```
>W1AW <C>
```

The callsigns are shown one per line and are meant to resemble the way the TNC monitors packet connect frames. Since neither mode supports identification within the calling blocks, no source callsign can be shown.

---

<b>ARXtor</b> ON OFF	Default: OFF
Mode: AMTOR and PACTOR	Host: Ar

---

Parameters:

---

ON      Enables automatic detection and switching between AMTOR and PACTOR modes.

OFF     Disables the automatic detection of non-selected operating modes.

---

The ARXTOR command allows the automatic switching from PACTOR Listen mode to AMTOR FEC receive, and from PACTOR Standby to AMTOR ARQ. It also allows the automatic switching from AMTOR Listen to AMTOR FEC receive.

With ARXTOR ON, an AMTOR FEC signal is detected by ALIST and PTLIST modes as well as AMTOR Standby mode. There are two methods of FEC mode recognition. AMTOR Standby, ALIST and PTLIST all use FEC idles to recognize FEC transmissions. However, in the AMTOR Standby mode, FEC text patterns are recognized as an additional quick recognition method which may speed locking onto a FEC signal.

ARXTOR ON enables PTLIST mode to monitor AMTOR ARQ transmissions.

ARXTOR ON also means an incoming AMTOR ARQ call is recognized in PACTOR Standby mode. Only a call for the selcall in MYSELCAL is recognized; PACTOR cannot detect ARQ calls to MYALTCAL or MYIDENT.

When a PACTOR mode detects an AMTOR transmission, there is an added delay before the text is shown. Your TNC must switch from PACTOR to AMTOR, where the signal is again detected. For fastest detection of AMTOR FEC, your TNC should be in the AMTOR Standby mode. For fastest syncing on AMTOR ARQ signals, the TNC should be in ALIST mode.

At the end of the new mode (AMTOR ARQ or FEC), your TNC returns to the original monitoring mode (AMTOR, ALIST, PACTOR or PTLIST).

ARXTOR is defaulted OFF to accommodate old application programs that have no provision for handling a spontaneous change of modes from PACTOR to AMTOR. ARXTOR is most versatile when in the PACTOR or PTLIST operating mode.

Here is a summary of the AMTOR/PACTOR mode switching:

Target mode <u>detection</u>	Original operating mode			
	<u>AMTOR</u>	<u>ALIST</u>	<u>PACTOR</u>	<u>PTLIST</u>
AMTOR FEC	if RFEC	if ARXT		if ARXT
AMTOR ARQ (MYSELCAL)	always		if ARXT	
AMTOR ARQ (MYALTCAL)	always			
AMTOR ARQ (MYIDENT)	always			
monitor AMTOR ARQ		always		if ARXT
SELFECalways	if ARXT		if ARXT	
monitor SELFEC	if SRXALL	if ARXT & SRX		if ARXT & SRX
PTCONN		always	always	
monitor PACTOR				always

Note: When automatically switching from PACTOR to AMTOR and back again, the modem isn't changed.

---

**ATxrtty** "n" Default: 0  
 Mode: Morse, Baudot and ASCII Host: At

Parameters:

---

"n" 0 to 250, signifying the length of time (in units of 100 msec.) to delay before sending text.

---

ATXRTTY allows Morse, Baudot or ASCII characters to be transmitted automatically whenever they're typed and the TNC is in the Converse mode. When all the characters in the buffer have been sent, the unit reverts to receive.

The number *n* represents the length of time from the last character typed to the dropping of PTT. This feature makes the repeated use of the commands RCVE and XMIT unnecessary.

---

**Code** "n" Default: 0 (International)  
 Mode: Baudot RTTY, Morse, AMTOR, PACTOR and packet Host: C1

Parameters:

---

"n" 0 to 8 specifies a code from the list below.

<u>CODE</u>	<u>Meaning</u>	<u>Morse</u>	<u>Baudot</u>	<u>AMTOR</u>	<u>Packet</u>
7	TOR Lower Case	—	—	RX/TX	—
8	Extended Lower Case	—	—	RX/TX	—

---

Two new settings of the CODE command have been added to support the European and APLINK implementations of upper/lower case AMTOR.

**CODE 7:** TOR lowercase

CODE 7 applies to AMTOR operation only. It codes upper and lowercase letters using the NULL character as a shift while in LTRS case. This protocol is used by APLINK stations, European mailboxes, the AMT-3 and G4BMK software. The difference between CODE 7 and CODE 2 (Cyrillic) upper/lower case is that CODE 2 uses LTRS for upper case and NULL for lowercase, while CODE 7 uses the NULL to toggle between upper and lowercase. CODE 7 is invisible to stations using classic AMTOR (CODE 0). However, a CODE 7 station talking to a station using CODE 2, (AEA's already existing upper/lower case protocol), will result in upper/lowercase reversals or constant lower case text.

**CODE 8:** Extended TOR lowercase

CODE 8 also applies to AMTOR only. It includes the features of CODE 7 above, and additionally codes new punctuation characters using NULL as an escape while in FIGS case. Thus, CODE 8 supports all 95 printable ASCII characters (\$20-7E) plus CR, LF, space and ENQ while in AMTOR operating mode, but not BELL, backspace and TAB. At the moment, this protocol is used only on links between mailboxes forwarding messages. It could be used with the AEA AMTOR-to-Packet Gateway if all users had CODE 8. CODE 8 isn't invisible to other users.

---

<b>DAYtime</b> date and time	Default: none
Mode: All	Host: DA
Parameters:	

---

date and time - Current date and time to set.

DAYTIME sets the data controllers real time date and time clock. Optionally, the following types of Dallas Semiconductor "Smart Watch" chips may be used to hold the date and time when power is turned off.

- RAM-Use the DS1216C in U7 (high RAM).
- ROM-Use the DS1216E or DS1216F in U3.

Setting the DAYTIME command sets the time of day into any SmartWatch present in the system. The SmartWatch is read only on power-up, RESTART or RESET.

---

<b>EXPerT</b> ON OFF	Default: OFF
Mode: All	Host: EX
Parameters:	

---

- OFF Disables some of the less frequently used data controller commands in verbose mode.
  - ON Enables all data controller commands in verbose mode.
-

The EXPERT command controls your access to the TNC's command set. Because some new TNC owners understandably find the large number of available commands confusing or daunting, this command limits the newcomer's access to the commands to the simplest or most often used. Generally, about half of the total number of commands are available to you after a RESET (EXPERT OFF). Once you feel confident using the TNC's basic commands, turn EXPERT ON to explore and try out its advanced command set.

With EXPERT OFF, expert-level commands can't be accessed and won't appear in any output of the DISPLAY command—an attempt to use one of these commands will result in the error message, "?EXPERT command."

All immediate commands (e.g. CONNECT, PACKET) are "Novice" commands. The error message for an Expert command is now separate from the unknown command message:

```
cmd:FRICK
?EXPERT command
```

In Host mode, all commands are available regardless of the setting of EXPERT. This command will not affect operation of AEA PAKRATT programs.

The following DISPLAY lists denote when a command is available while EXPERT is OFF ("Novice"); "Retain" means the command keeps its setting during a REINIT operation.

**cmd: DISPLAY A**

```
8Bitconv  Novice   Retain
ACRDisp
AFilter
ALFDisp
AUTOBaud
AWlen     Novice   Retain
BBSmsgs
CASedisp
DCdconn
Echo
EScape
Flow
ILfpack
NUCr
NULf
NULLs
PARity    Novice   Retain
TBaud     Novice   Retain
TRFlow
TXFlow
XFlow
```

**cmd: DISPLAY B**

```
3Rdparty  Novice   Retain
FREE
KILONFWD  Retain
LAsmsg
MAildrop  Novice   Retain
MDMon     Novice   Retain
MDPrompt  Novice   Retain
MMsg      Novice   Retain
MText     Novice   Retain
MYMail    Novice   Retain
TMail     Novice   Retain
TMPrompt  Novice   Retain
```

**cmd: DISPLAY C**

```
BKondel
CANline
CANPac
CHCall
CHDouble
CHSwitch  Novice
COMmand
CWid
```

DElete  
 ERrchar  
 HEReis  
 PASs  
 PTOver Novice  
 RECeive  
 REDispla  
 SEndpac  
 STArt  
 STOp  
 TIme  
 XOff  
 XON

**cmd: DISPLAY F**

ASPeCt Novice  
 FAXNeg  
 FSpeed Novice  
 GRaphics Novice  
 LEftright  
 PRCon Novice  
 PRFax  
 PROut  
 PRType Novice

**cmd: DISPLAY I**

Unproto Novice Retain  
 AAb Novice Retain  
 Beacon  
 BText Retain  
 CBell Retain  
 CMSg Novice  
 CText Novice Retain  
 HId Novice  
 HOMEbbs Retain  
 MId Novice  
 MYAlias Retain  
 MYALTcal Retain  
 MYcall Novice Retain  
 MYGate Novice Retain  
 MYIdent Novice Retain  
 MYPTcall Novice Retain  
 MYSelcal Novice Retain  
 WRu

**cmd: DISPLAY L**

ACRPack  
 ALFPack

Ax25l2v2  
 CFrom Retain  
 CONMode  
 CONPerm Retain  
 DFrom Retain  
 FUlldup  
 GUsers Novice  
 HBaud Novice Retain  
 LIte  
 MAXframe Novice  
 NEwmode  
 NOmode  
 PACLen Novice  
 PASSAll  
 Radio Novice  
 RELink  
 REtry Novice  
 SQuelch  
 TRIes Novice Retain  
 USers Novice  
 Vhf Novice  
 XGateway Novice  
 XMITOk Novice

**cmd: DISPLAY M**

CONStamp Novice  
 DAYStamp Novice  
 HEAdernl  
 MBell  
 MBx Retain  
 MCon Novice  
 MDigi Novice  
 MFilter Novice  
 MFrom Retain  
 Monitor Novice  
 MProto  
 MRpt  
 MStamp Novice  
 MTo Retain  
 MXmit  
 TRACe  
 WHYnot Novice

**cmd: DISPLAY Q**

MODem Novice  
 QHpacket Novice  
 QVpacket Novice  
 QFax



QMORse			PTRound	Novice
QPTor	Novice		RBaud	Novice
QRtty	Novice		RFec	
QSignal	Novice		RFRame	
QTDm			RXRev	Novice
QTor	Novice		SRXall	
			TDBaud	
			TDChan	
<b>cmd: DISPLAY R</b>			TXRev	Novice
ABaud	Novice		USOs	Novice
ACRRtty			Wideshft	Novice
ADelay	Novice		WOrdout	Novice
ALFRtty			XBaud	
ANSample	Novice		<b>cmd: DISPLAY T</b>	
ARQTmo			ACKprior	
ARQTOL			AUdelay	
ARXTor	Novice		AXDelay	
ATxrtty			AXHang	
BITinv			CHeck	
CODE			CMdtime	
CRAdd			CPactime	
DIDdle	Novice		DWait	
EAS	Novice		FRack	Novice
MARsdisp			FRick	
MOPtT	Novice		PACTime	
MSPeed	Novice		PErsist	Novice
MWeight			PPersist	
NAVMsg		Retain	RESptime	
NAVStn		Retain	SLottime	Novice
PT200	Novice		TXdelay	Novice
PTHuff	Novice			

---

**GUsers** "n" Default: 0  
 Mode: Packet, AMTOR, PACTOR Host: GU

---

Parameters:

---

"n" 0 to 3 specifies the maximum number of users allowed on the gateway.

---

GUSERS allows up to "n" number of stations to connect to the callsign in MYGATE for gateway operation. The variable "n" may be 0-3, with a default 0 meaning no other station may use your station as a gateway. Alternatively, n can be thought of as the maximum number of *pairs* of stations which may be connected through your Gateway.

GUSERS must be set to a number greater than 0 to enable the Gateway.

---

**MHeard** Immediate Command  
 Mode: Packet and AMTOR/PACTOR Maildrop Host: MH

---

The MHEARD display has been enhanced to support the "Nodes" command in the gateway.

Previously, stations heard directly were displayed with an asterisk ("W1AW\*") and digipeated stations were shown without ("W2SZ"). Digipeating isn't used as much as it used to be. Most stations now use nodes so this release discards the asterisk. However, for those few cases in which a station is heard indirectly through a digipeater, the station's callsign is displayed with the message, "via digi".

In addition, I- and U-frame packets with PIDs of CF and CD are shown with the indicators "N/R" (for Net/ROM) and "IP" respectively. AMTOR and PACTOR stations accessing the Maildrop or the gateway are shown in the MHEARD list with an "AMTOR" or "PACTOR" indicator.

---

**MId** "n/n" Default: 0/0 (0 sec.)  
 Mode: Packet, AMTOR, PACTOR Host: Mi

---

Parameters:

---

"n" 0 to 250 specifies the Morse ID timing in units of 10-second intervals.

---

Morse ID now works in AMTOR and PACTOR modes on both ARQ and broadcast transmissions. At intervals you set, your TNC identifies itself in Morse Code while maintaining the internal timing for AMTOR or PACTOR. Because of the nature of these operating modes, the destination station will go into an error state when your TNC sends a Morse ID, but it should recover data synchronization immediately afterwards.

---

**MOPTt** ON|OFF Default: ON  
 Mode: Morse Host: Mo

---

Parameters:

---

- ON Enables PTT in Morse transmit mode.
  - OFF Disables PTT in Morse transmit mode.
- 

MOPTT controls the PTT output in Morse mode only. To enable PTT for Morse transmissions, both XMITOK and MOPTT must be ON. XMITOK OFF still disables PTT for all operating modes.

The most probable use of MOPTT is to disable PTT in Morse to allow full break-in operation but enable PTT in all the other modes. Setting XMITOK ON and MOPTT OFF accomplishes this.

MOPTT doesn't affect the Morse IDs generated by the MID command (in Packet mode) and by the CWID character (in other digital operating modes).

---

<b>MYAlias</b> call[-n]/call[-n]	Default: none
Mode: Packet	Host: MA

Parameters:

---

call Alternate packet callsign may be used by other stations to connect to your station.  
 "n" 0 to 15, an optional substation ID (SSID)

---

For those households with two operators taking turns using the PK-900, the TNC will now accept connections to both MYCALL and MYALIAS. Previously, MYALIAS had been reserved for stations digipeating through your station. If MYMAIL isn't set, the Maildrop also accepts connections to either MYCALL or MYALIAS.

Outgoing connect attempts and Unproto frames use only MYCALL as the source callsign.

---

<b>MYGate</b> call[-n]	Default: none
Mode: Packet	Host: MY

Parameters:

---

call Packet Gateway and "Node" callsign used by other stations.  
 "n" 0 to 15, an optional substation ID (SSID)

---

Call is the callsign of the Gateway or Node function of your TNC.

See the Gateway section for a description of the AEA Node and cross-mode gateway features.

---

<b>Over</b>	Immediate Command
Mode: AMTOR/FACTOR	Host: OV

---

An immediate command that reverses the link direction from ISS to IRS; this can be considered the opposite of the function of the ACHG command.

The changeover happens as soon as possible—the TNC doesn't wait for all the characters in the buffer to be sent. OVER should be thought of as analogous to the RCVE command (neither command waits for the buffer to empty) the same way the PTOVER character is analogous to the RECEIVE character (both wait for empty). Host applications can use the ZSTATUS command to detect when all characters have been sent.

In PTCNN, this command accomplishes the same thing as sending the PTOVER character. The OVER command is useful in Host mode when sending transparent data (CONMODE TRANS). To change from ISS to IRS, you would normally send the PTOVER character, but in Transparent mode, the character would be sent as data and would not change the link direction. The OVER command changes the direction without the need to change CONMODE to CONV first.

In AMTOR ARQ, this command inserts "+?" into the data stream being sent. If EAS is ON, the "+?" is echoed to the terminal.

---

<b>PTList</b>	Immediate Command
Mode: PACTOR	Host: PN
Parameters:	

---

In PACTOR Listen (and AMTOR LISTEN) modes, monitored connect attempts are now displayed like this:

>W1AW <C>

The callsigns are shown one per line and are meant to resemble the way the TNC monitors connect frames in the packet mode. Since neither mode supports identification within the calling blocks, no source callsign can be shown.

---

<b>PTRound</b> ON OFF	Default: OFF
Mode: PACTOR	Host: Pr
Parameters:	

---

OFF Returns the TNC to the PACTOR-Standby mode after a PTSEND transmission.  
 ON Returns the TNC to the PACTOR-Listen mode after a PTSEND transmission.

---

PTROUND facilitates PACTOR "roundtable" conversations with multiple stations using the PTSEND (FEC) mode as opposed to the Connected mode.

As the unit finishes sending a PTSEND transmission, it normally returns to PACTOR Standby mode. If PTROUND is ON, the unit returns to PTLIST instead in order to copy another station's PACTOR transmission. PTROUND has no effect when PACTOR connection ends—the unit will always return to PACTOR Standby.

---

<b>REINIT</b>	Immediate Command
Mode: All	Host: RI

---

This is an immediate command that you can invoke to get out of trouble caused by setting a lot of commands—especially timing parameters—to strange values. REINIT can be thought of as being halfway between RESTART and RESET. REINIT re-initializes most of the commands to their default settings, then does a

RESTART, but the contents of the Maildrop and the NAVTEX message history buffers are preserved. The commands that are preserved are:

MYCALL	MYALIAS	MYMAIL	HOMEBBS	MYGATE	MYSELCAL
MYALTCAL	MYIDENT	MYPTCALL	UNPROTO	AWLEN	PARITY
TBAUD	BTEXT	CTEXT	AAB	MDPROMPT	TMPROMPT
CFROM	DFROM	MFROM	MTO	MBX	LASTMSG
MTEXT	NAVSTN	NAVMSG	HOST	8BITCONV	3RDPARTY
FREE	KILONFWD	MAILDROP	MDMON	MMSG	TMAIL
CBELL	CONPERM	HBAUD	EXPERT	KISS	TRIES

In Host mode, the REINIT command is acknowledged by a RESTART response (RT).

---

<b>S</b> ignal	Immediate Command
Mode: All	Host: SI

---

SIGNAL is an immediate command that causes the PK-900 to enter the Signal Identification and Acquisition Mode (SIAM). The PK-900 now identifies the PACTOR mode.

---

<b>W</b> ordout ON OFF	Default: OFF
Mode: Baudot, ASCII, AMTOR PACTOR and Morse	Host: WO
Parameters:	

---

OFF    Typed characters are sent directly to the transmitter.  
 ON     Type characters are held in the PK-900's transmit buffer until a space, CR, LF, TAB, RECEIVE CWID, ENQ or '+?' character(s) is typed.

With WORDOUT OFF, the backspace character is transmitted in Baudot, ASCII, AMTOR and PACTOR modes. With WORDOUT ON, pressing the backspace key cancels out the preceding character and neither are transmitted.

In Baudot and AMTOR, the backspace character is transmitted as a "?" since there's no backspace in those modes.

In ASCII the backspace character is transmitted, but the destination station must be able to pass it. AEA products should have MFILTER set to zero to allow backspaces to print when monitoring.

---

**XGateway** ON|OFF Default: OFF  
 Mode: Packet, AMTOR and PACTOR Host: XG

---

Parameters:

---

OFF Stations connecting to your MYGATE callsign don't have access to the other radio port.

ON Stations connecting to your MYGATE callsign can cross-connect to the other radio port.

---

XGATEWAY must be turned on to allow cross-port connections; the PORT command (see GUSERS) must be enabled in order to accomplish this.

This page intentionally left blank.





# GPS Operation

## Overview

This chapter describes how to configure and connect your TNC for GPS operation.

### Why do GPS in the TNC?

All Timewave TNCs can run with Automatic Packet Reporting System (APRS™) software. The TNC, however, has special firmware which makes Stand Alone Tracking and Ultimeater II® compatibility possible. Timewave also offers an APRS Adapter Cable for the TNC which makes Hardware Single Port Mode (HSP) operation possible. The reason we chose to put special firmware in the TNC and develop the APRS Adapter Cable for the TNC is because this TNC is perfect for going mobile; which is what Global Positioning Systems are all about.

The TNC contains special GPS features not found in other packet Terminal Node Controllers. The TNC can detect whether or not a GPS receiver is connected with the **GPSAuto** command, it then chooses the appropriate **GPSMode** of operation. If a GPS receiver is detected upon power-up, the TNC automatically sends a GPS initialization string. The TNC can be remotely polled by addressing a packet to its **GPOLLCall**, or by the polling features in APRS. The TNC's GPS commands can be remotely programmed using the **GREMprog** command which is very convenient in Stand Alone Tracking applications—the unit never needs to be taken out of the vehicle to change GPS settings. GPS receivers can be remotely programmed via the TNC. The TNC's internal time and date can be set from the information obtained from the GPS receiver. There are provisions for an external input to cause the sending of NMEA strings, such as from a radio control head button. The TNC can even operate packet and GPS at the same time using the commercial mode. See *You're in Command* chapter, *G* section for GPS commands.

### What is APRS?

Automatic Packet Reporting System (APRS™) is a copyrighted software program developed by Bob Bruninga (WB4APR), which is distributed as shareware for real-time Packet communications. You can obtain a copy of APRS from <http://web.usna.navy.mil/~bruninga/aprs.html>. For higher level APRS applications you may need a registered version of the software. The software keeps lists of stations heard and displays the locations of stations visually on a computerized map like the one in Figure 1. The maps can be scaled from .5 to 2000 miles. Few of the maps are complete, however there are tracking features built into APRS which allow you to create maps just by driving down the streets of your town. Stations can appear on the maps and each station may be given a symbol such as a house, car, or boat. The real benefit of using APRS software is in mobile tracking applications. Vehicles and people can be tracked and mapped using APRS. APRS also includes the ability to send short messages and bulletins. Using Ultimeater II weather information can also be shown on the computerized maps.

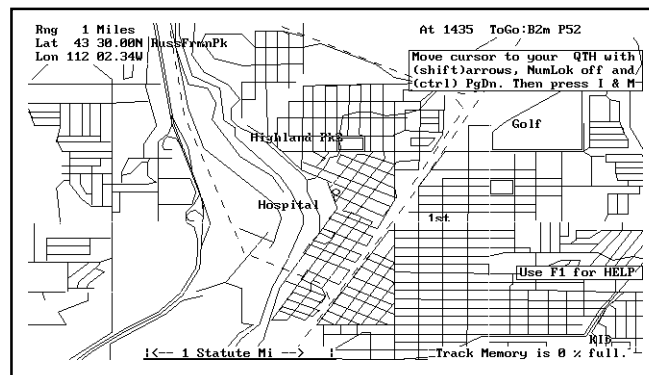


FIGURE 1: APRS computerized map

## Hardware Configurations

There are four different hardware configurations you can use when operating within an APRS system, each for a different purpose:

**1. A computer running APRS, a GPS receiver, a TNC, an APRS Adapter Cable (optional), and a radio:**

This complete configuration allows you to track all users on the system in your area (including yourself), and send/receive messages and bulletins. Using Timewave's APRS Adapter Cable, you can connect a GPS receiver and a TNC to a single COM port on a computer running APRS, see Figure 2. Without the APRS Adapter Cable, the TNC and GPS receiver would need to be connected to separate COM ports. Having two COM ports free on most computers is a luxury most of us don't have with all the Windows related equipment such as mice and other serial peripherals. Mobile laptop computer users need the APRS Adapter Cable because most only have one COM port.

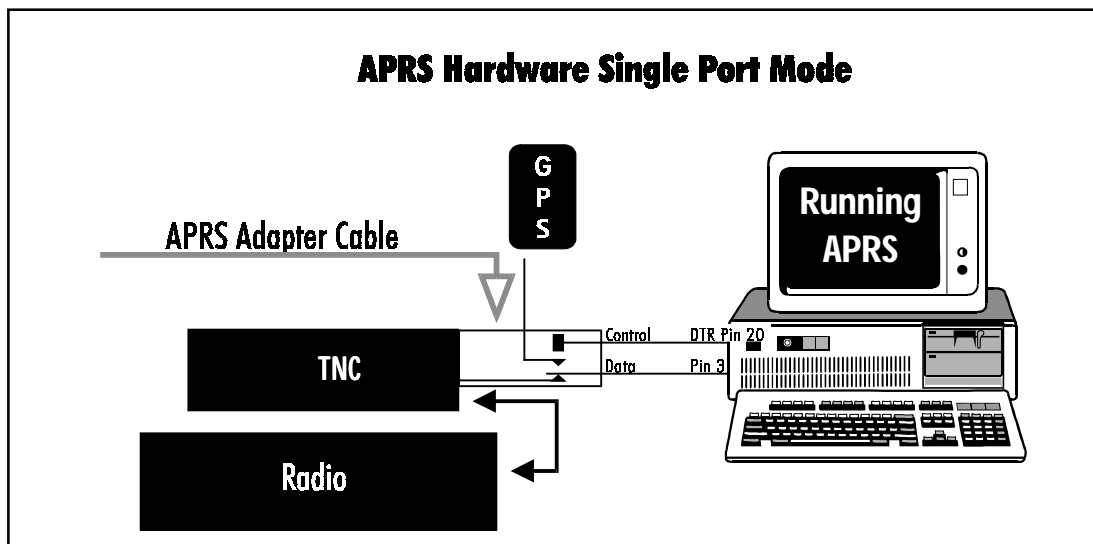


FIGURE 2: APRS HSP mode where APRS controls the cable switching between the TNC and GPS receiver

**2. A computer running APRS software, any Timewave TNC, and a radio (No GPS receiver):**

This configuration lets you track all users on the system with your location being entered manually. This also lets you send and receive messages within APRS. All Timewave TNCs can be part of a system such as this. This configuration allows anyone with any Timewave TNC who is running APRS software in their computer to take part in this GPS technology. You don't need a GPS receiver to pull down location information from the satellites because you enter your position manually on the APRS computerized map, which in most cases is fine because you are at your house which doesn't (shouldn't) move. The only time you really need a GPS receiver is when you are operating packet while mobile because manually updating your position while mobile isn't practical—you need the GPS receiver to pull in those satellite location signals and update your position as you move.

**3. A TNC, a GPS receiver, and a radio (No PC):**

This trio allows you to transmit your location automatically to others in an APRS system without having a computer in the vehicle. This is known as a Stand Alone Tracking Device because others can track your motion without you having to run APRS or even have a computer. The firmware in the TNC allows the TNC to parse the incoming location information from the GPS receiver (with-

out the use of a computer running APRS which usually does the parsing) and then beacon the information over the ham bands.

Because the TNC can work both as a stand alone tracking device and as a connected APRS component, this TNC can be of aid in natural disaster situations, during public service events, and search and rescue missions, among other things.

For example, in a marathon, a pace car, ambulances, and other support vehicles could each have a TNC acting as a Stand Alone Tracking Device. A coordinator can be in a centralized location using a TNC, radio, and an APRS Adapter Cable (optional) to connect with a computer running APRS software to visually track the vehicles. When an emergency arises, such as an injured runner, the coordinator can see which ambulance is closest to the scene and dispatch it appropriately through voice communications.

Further, if all vehicles in the previous example were equipped with a PC running APRS, a TNC, a GPS receiver, a radio, and an APRS Adapter Cable, the coordinator could not only see where the vehicles were - he could dispatch them directly through the APRS system. The drivers of the vehicles would receive short messages from the coordinator such as, "Runner down, 4th and Main. Vehicle 2 respond." These short messages appear on the individual driver's computer screen much like typical Packet messages. The messages can also be accompanied by computer 'beeps' to alert the driver to an incoming message. APRS includes a bulletin feature where all vehicles could receive messages simultaneously such as, "Take lunch."

4. TNC, ULTIMETER II, and a radio (No PC):

This configuration requires an ULTIMETER II home weather station, see Figure 3 below. (Information on ULTIMETER II weather station packages can be obtained by calling 1-800-USA-PEET.) In case you are not familiar with ULTIMETER II, it is a weather station package including a control panel into which a thermometer, wind gauge, and an optional rain gauge are connected. If you like, you can monitor the temperature of any room in your home, keep track of temperatures in a greenhouse or outbuilding, or set alarm limits on a freezer or other appliance.

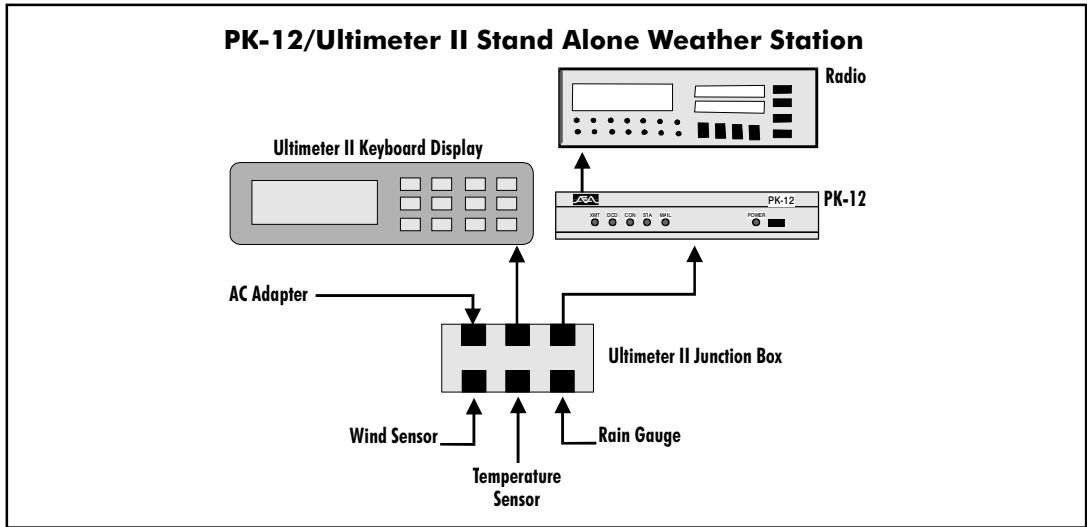


FIGURE 3: Illustrates components of a stand alone packet weather station (PK-12 can be substituted with any Timewave TNC with GPS firmware)

The TNC can be connected to the ULTIMETER II weather station, interpret the weather data, and transmit the weather and location information in packet so other APRS users can see your location and the weather at your location. The remote polling features of the TNC make it easy to set up a weather station in a remote location and receive the remote weather data via APRS at your house, office, or wherever. While at work, you can keep track of the weather situation at your home (inside or outside temperatures—whichever you prefer). Farmers can keep apprised of rain, wind, and temperature at a remote field site. In addition, several weather stations set up in your region can provide you with a comprehensive weather picture of your area—available to you and all other users at anytime. The TNC, ULTIMETER II, and APRS add a whole new dimension to packet radio—we hope you experiment with this new application. Set-up procedures for an Ultimeter II weather station are discussed later in this chapter.

---

## Setting Up the TNC for GPS Operation

Set up procedures for the TNC are described below for three Packet/GPS configurations: Stand Alone Tracking, APRS Hardware Single Port mode, and APRS Dual Port Mode. APRS software automatically sets the parameters for your TNC, except when the TNC is used as a Stand Alone Tracking Device (because APRS isn't connected).

### Stand Alone Tracking Device Set-up:

To set up the TNC for Stand Alone Tracking, follow these steps:

1. Connect your TNC to your computer and get it up and running following the directions in Chapter 2.
2. Type **MY <your call sign>-9**, then press ENTER. For example, if your call sign is WA7GCI you would enter **MY WA7GCI-9**, then press ENTER. The **-9** will cause others to see you as a car on the APRS map.
3. Program the UNPROTO command to: **UN APRS via RELAY**, then press ENTER. This programs your unproto path to APRS via RELAY.
4. Type **GLOctx 6**, then press ENTER. This causes the TNC to transmit its GPS location every 60 seconds. The seconds can range from 0 (disabled) to 255 in ten second increments.
5. Now you need to program the commands, GNMEA1 and/or GNMEA2, for the desired NMEA (GPS) sentences for the TNC to parse. Not all GPS receivers can send all NMEA sentences. So, the instructions you see below depend on the ability of your GPS receiver to send desired NMEA strings. In any case, the TNC can handle any NMEA strings your GPS or Loran receiver can produce.

To program GNMEA1, type **GNMEA1 \$GPGLL** and press ENTER. This command allows the TNC to parse the Position-Only NMEA string coming from the GPS receiver and place the string in the transmit buffer. The result of \$GPGLL is that you will be able receive from the GPS receiver Position-Only information and transmit it over the ham bands. (Any NMEA string your GPS receiver can produce can be entered in this command line.)

The neat thing about the TNC is that you can choose not one, but two NMEA strings to parse. You can, for instance, use Position-Only and Course/Speed. To program the second NMEA string for the TNC, type **GNMEA2 \$GPVTG** and press ENTER. This sentence alone allows you to transmit course and speed. When coupled with the GNMEA1, your position, course, and speed will be transmitted together. (Again, you can use any NMEA string your GPS receiver can produce in this command line.)

**Note:** The NMEA sentence \$GPRMC is the recommended sentence for tracking moving objects as it contains time, latitude, longitude, course, and speed information.

6. Now type **GPSAuto ON**, then press ENTER. This will cause the TNC to look for GPS data (coming from an attached GPS receiver) the next time it is powered on, and if it sees GPS data the TNC will automatically switch to **GPSMode 1**.
7. Now you need to program the TNC's terminal baud rate to match that of the GPS receiver, which is normally 4800 baud. To program the TNC terminal baud rate, type **TBAUD 4800**, then press ENTER.
8. Now turn your TNC off and disconnect your TNC from the computer. Take the TNC to your vehicle, connect the TNC to the GPS receiver and the radio, plug it in, power it up and you're in business. **Note:** Before powering up the TNC, be sure the GPS receiver is powered up and outputting its NMEA sentences.

#### Connecting the GPS receiver to the TNC

Figure 4 below illustrates the pin assignments for connecting a GPS receiver to the TNC. The same pin assignments can be used to connect to a Peet Bros. ULTIMETER II® weather station.

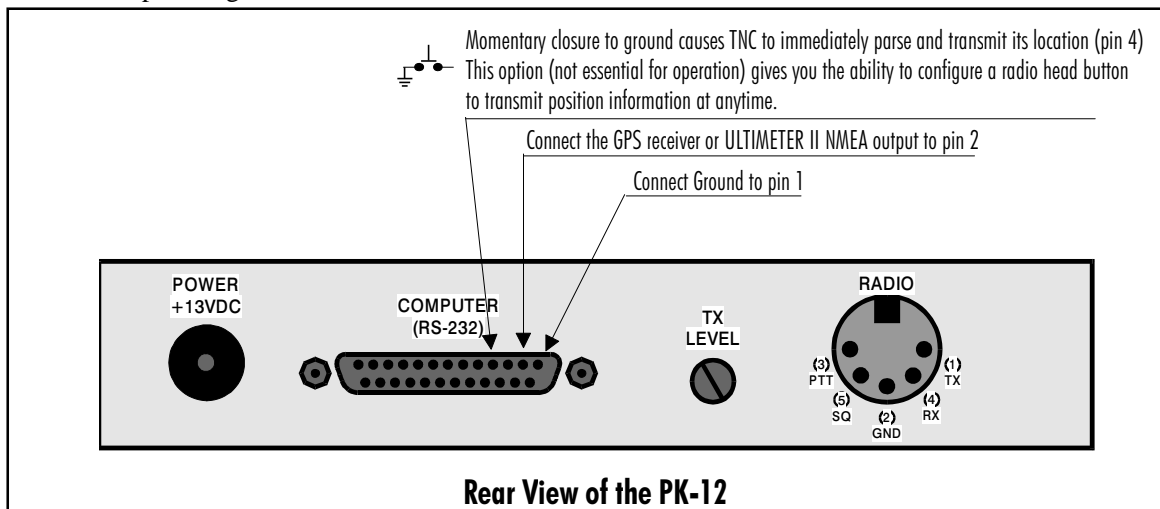


FIGURE 4: Pin assignments for connecting the TNC to a GPS receiver or to an Ultimeter II weather stations. (Same for all Timewave TNCs)

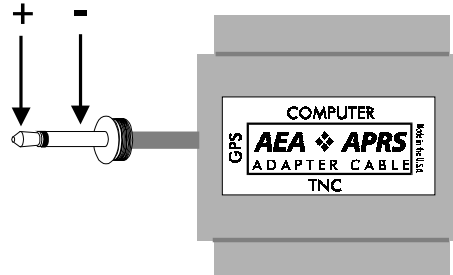
9. When done using the TNC as a Stand Alone Tracking Device, connect your TNC to the computer again, verify that your terminal baud rate is at 4800 baud, 8 bits, no parity, one stop bit. A few seconds after powering up, the TNC should display its sign-on message and command prompt.

#### APRS Hardware Single Port Mode (HSP) Set-Up: Requires a registered version of APRS

APRS version 4.03 and higher includes a routine that controls the switching of the Single Port Mode between the TNC and any GPS receiver using the handshaking lines of the COM port. HSP allows you to operate APRS on a computer with limited COM ports, such as a laptop which usually has only one COM port, or your PC which uses one of the two COM ports dedicated to a mouse. This is the only configuration which uses the APRS adapter cable. You will need to have a registered copy of APRS in able to activate the GPS input. Registration information is contained in the APRS readme files.

*Follow these steps to connect the APRS Adapter Cable to your equipment:*

1. Look at the APRS adapter cable. It looks like this:



Notice the words on the outside of the rectangle; they say **TNC**, **Computer**, and **GPS**. This is how the Cable should be connected.

2. Connect the APRS Adapter Cable to the serial port on the TNC. The male side of the Adapter Cable, labeled **TNC**, should be connected to the female serial port on the TNC.
3. Connect an RS-232 (not included) to a free COM port on your computer. Connect the other end of this cable to the RS-232 port marked “Computer” on the APRS Adapter Cable. (The *female side* of the Adapter Cable, labeled ‘computer’, should be connected to a cable going to the computer.)
4. The cable that comes out the side of the APRS Adapter, labeled “GPS”, connects to the NMEA-0183 port on your GPS receiver. You may need to buy an adaptor or connector to match the connector on your GPS receiver.

The cable is now correctly connected to your equipment.

*To set up the TNC for HSP operation, follow these steps:*

1. Connect your TNC to your computer, and to your GPS receiver using the Timewave APRS Adapter Cable following the steps noted previously. Get the computer running APRS software and the TNC running. Leave the GPS receiver off until you are ready to receive the NMEA string.
2. Press **ALT-S** to bring up the setup menu.
3. Now press **G** for GPS.
4. Press **H** for HSP.
5. Now press **ALT-S** to save.
6. Enter **S** for SAVE.
7. Now follow the prompt from APRS to validate your APRS registration and save the mode changes.
8. Turn your GPS receiver on, and you are ready for APRS HSP operation.
9. When finished using the TNC for APRS HSP operation, simply quit APRS. APRS may ask you for some information before quitting. Answer the questions and when done, your TNC will be ready for non-GPS activities.

### **APRS Dual Port Mode Set-up:**

To set up APRS for dual mode operation, follow these steps:

1. Connect your TNC to one of the COM ports on your computer. Get the TNC up and running following the directions in Chapter 2 of this manual.
2. Connect your GPS receiver to the other COM port on your computer. (You will need to build your own cable for this connection. Since there are many types of GPS receivers, all

with different connections, we can't provide you with schematics on how to build this cable.)

3. Get the APRS software program running. APRS will ask you some questions, simply answer the questions and your TNC and APRS will be ready for dual port mode operation.

## Building your own APRS adapter cable

The APRS adapter cable works as follows:

The adapter allows for Hardware Single Port mode (HSP) operation, so you only need one computer COM port for both your GPS receiver and TNC. The adapter normally has the TNC switched to the computer until APRS decides it's time to send its location report. When it's time to send position information, the computer running APRS asserts flow control to the TNC to prevent it from sending any more data. The flow control line is also used to switch the adapter to the GPS receiver. Once the GPS string is received, the computer running APRS releases flow control, switching back to the TNC.

A pre-made and tested cable can be purchased from Timewave for \$30.00, plus shipping and handling. Visit the Timewave website, <http://www.timewave.com>.

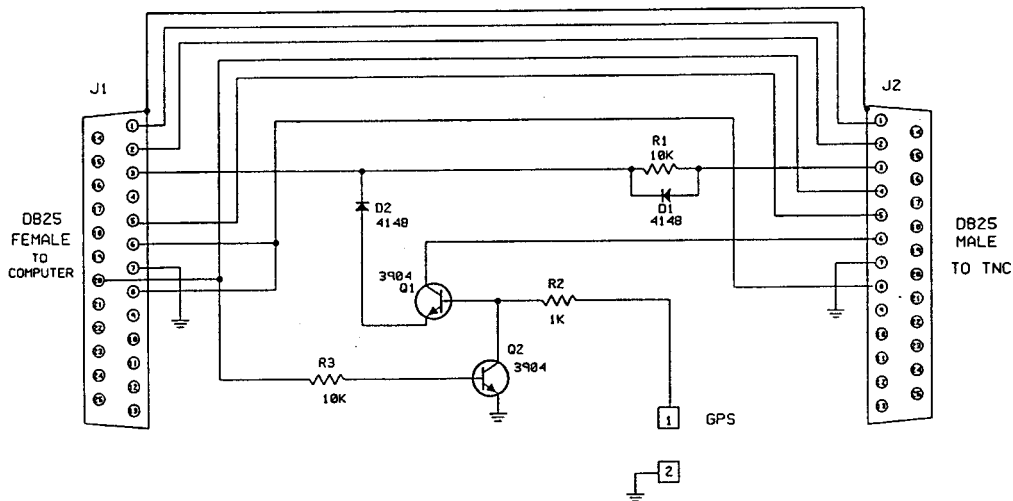
An APRS adapter cable can be made from the following components and schematic.

Item	Description	Qty	Timewave Part #	Radio Shack Part #
1.	PCB	1	013-141	
2.	1K resistor	1	210-102	271-023
3.	10K resistor	2	210-103	271-034
4.	IN4148 diode	2	310-001	276-1122
5.	2N3904 NPN transistor	2	320-001	276-2016
6.	DB-25 male connector	1	420-102	
7.	DB-25 female connector	1	420-105	
8.	DB-25 hood	1	053-065	
9.	Screws for hood		1 053-065-1	
10.	Saddle washers	1	053-065-2	
11.	Hex nuts	1	053-065-3	
12.	6ft shielded cable	1	769-001	

## Connecting the APRS adapter cable

Once you've made your adapter cable, connect as described previously.

## Schematic Diagram for the APRS Adapter Cable



## TNC/ULTIMETER II® Stand Alone Weather Station Set Up

Connect the ULTIMETER II to the TNC following the illustrations of Figure 3, Figure 4, and Figure 5. Once the connections are made, follow the directions below to configure the TNC.

1. Connect your TNC to your computer and get it running following the directions in Chapter 2.
2. Type **MY <your call sign>**, then press ENTER. For example, if your callsign is WA7GCI, you would enter MY WA7GCI, then press ENTER.
3. Type **UN APRS via RELAY**, then press ENTER. This programs your UNPROTO path to APRS via RELAY.
4. Type **GLOctx 60**, then press ENTER. This causes the TNC to transmit the weather information every 10 minutes. The seconds can range from 0 (disabled) to 255 in ten second increments.
5. Now you need to program your Btext with the day of the month, time, and your latitude and longitude. For example: if your exact location is 47°49.14'N, 122°15.72'W and the time and date is 9:11 AM June 23 1995, you would enter **BT @230911/4749.14N/12215.72W\_Lynnwood weather station**, then press ENTER.



6. Now type **Beacon E 60**, then press ENTER. This will cause your TNC to transmit its beacon text every five minutes. APRS must see the beacon text containing the position information and a weather symbol character before it will display your weather information.
7. Now you need to program the GNMEA1 sentence to match the output of the ULTIMETER II. Type **GNMEA1 #**, then press ENTER. This will cause the TNC to begin parsing the ULTIMETER II data starting with the # digit. ( *Note some ULTIMETER IIs start their string with a # digit and some start their strings with a \* digit. This value may have to be changed to a \* if it does not work upon installation.*)
8. Type **TBAUD 2400**, then press ENTER. This sets the TNC serial baud rate to match the output of the ULTIMETER II.
9. Now type **RESTART**, then press ENTER. This will cause the terminal baud rate to change to 2400 baud matching the ULTIMETER II. Change your terminal baud rate to 2400 baud to match that of the TNC.
10. Now type **GPSMode 2**, then press ENTER. Now press ENTER again to enter the stand-alone weather station mode. Now disconnect the serial cable and connect the ULTIMETER II, and you are ready to transmit weather information in an APRS system.

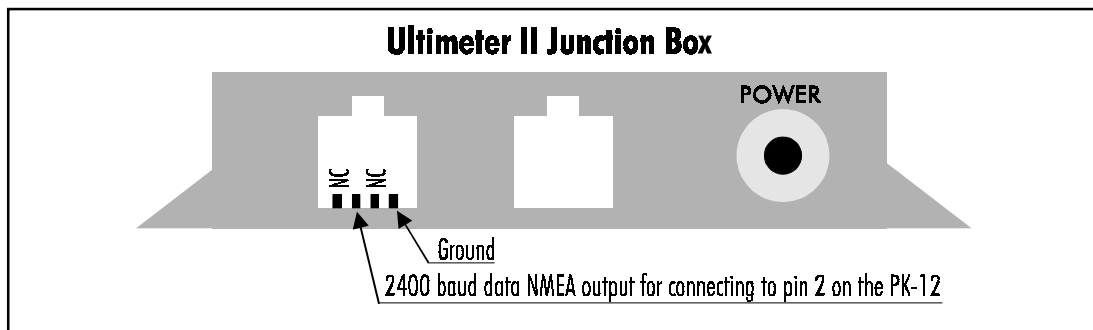


FIGURE 5: Ultimeter II junction box pin assignments (Same for all Timewave TNCs)

## TNC Commands

---

**GENDchar "n"**

**Default: \$0D (CTRL-M)**

The default GENDchar of \$0D requires the string to end with a CR,LF to conform with the NMEA format. If this is changed, the sentence will end with whatever character is programmed. This command does not need to be programmed for use with GPS or Loran devices. It is intended for use with other formats.

---

**GINIText text**

**Default: None**

**text-** Any combination of characters up to a maximum length of 60 characters.

This text will be sent to the serial port when the TNC is powered up with GPSMode NOT equal to zero. This text is intended for an initialization string for OEM GPS cards requiring setup after power-down. If not programmed, the TNC will send nothing at power-up.

---

**GLOCtx "n"** **Default: 0 (00 sec.)**

"n" - 0 to 255 sets the location timing in ten-second increments.

"0" - Zero disables automatic location transmissions.

GLOCtx is used to periodically transmit GPS data received on the serial port. GLOCtx is programmable from 0 (never) to 2500 seconds in 10 second intervals. A transmission will only occur if, GPSSMode = 1 or 2, GLOCtx is not zero, and the correct NMEA information is received on the serial port.

---

**GNMEA1** **Text (0-8 chars)**

**Default: GPGLL (GPS position only)**

This is the string the TNC will parse from the NMEA device. The text can be any ASCII character.

---

**GNMEA2 Text (0-8 chars)** **Default: None**

This is another string the TNC will parse from the NMEA device. The text can be any ASCII character.

---

**GPOLLCall call["n"]** **Default: None**

call - The callsign you wish to use for polling.

"n" - Numeral indicating an optional SSID.

The POLLCall can be any callsign other than one already programmed in the TNC. If programmed the same as the MYAlias, MYCall, MYGate, or MYMail callsigns, this polling feature will not work. When a packet is received addressed to the GPOLLCall callsign, the TNC will begin parsing the programmed NMEA command or commands. When the NMEA headers are successfully received, the TNC will transmit the GPS data as a UI-Frame. This GPOLLCall can also be used for digipeating.

---

**GPSAuto ON|OFF** **Default: OFF**

**ON** - When powered up or restarted, the TNC switches to GPSSMode 1 if it parses its GNMEA1 or 2 sentence within the first 4 seconds after power up.

**OFF** - The TNC powers up normally.

If you are using your TNC in your vehicle as a stand alone tracking device and in your home for regular packet operation, this command will save you a lot of hassles. Simply program all your GPS parameters except for the GPSSMode command, turn GPSAuto ON and you're set. Each time you turn your TNC on, the TNC will spend the first four seconds after power up trying to parse its GNMEA sentence or sentences. If it successfully parses one or both of them, it will automatically switch to GPSSMode 1.

To have the TNC auto detect a GPS receiver, follow these steps:

1. Be sure you have your GPS command programmed.
2. Be sure GPSAuto is turned ON.
3. Connect the GPS receiver to the TNC serial connector.

TNC.

4. Apply power to the GPS receiver (*NOT THE TNC YET*).
5. Be sure that the GPS receiver is outputting its NMEA data before powering up the
6. Power up the TNC and within 4 seconds, you should notice the TNC transmit LED lighting to transmit its location.

---

**GPSPMode "n"****Default: 0 Disabled**

This is a variable ranging from 0-3 that selects a specific mode of operation specific to GPS. Three CTRL-C's returns unit to GPSPMode 0.

Mode 0 = Normal Packet TNC operation. (GPS operation disabled.)

Mode 1 = TNC connected directly to a GPS receiver.

The TNC will begin parsing its programmed NMEA sentences under the following conditions:

1. GLOCtx timer expires
2. The TNC receives an Unproto frame containing *?APRS?*
3. The TNC receives an Unproto frame containing *MYCALL..?:APRS?*
4. The TNC receives an Unproto frame addressed to its *POLLCALL*

Upon reception of one of these types of frames, the TNC will begin to parse its programmed NMEA sentences. If the TNC successfully parses one or both of its NMEA sentences, it will transmit the information parsed as a single UI frame. If there is no data received from the GPS receiver within four seconds, it will reset its GLOCtx timer and continue.

Mode 2 = TNC connected directly to an ULTIMETER II.

The TNC will begin parsing its programmed NMEA sentences under the following conditions:

1. GLOCtx timer expires
2. The TNC receives an Unproto frame containing *?WX?*
3. The TNC receives an Unproto frame containing *MYCALL..?:APRS?*
4. The TNC receives an Unproto frame addressed to its *POLLCALL*

Upon reception of one of these types of frames, the TNC will begin to parse its programmed NMEA sentences. If the TNC successfully parses one or both of its NMEA sentences, it will transmit the information parsed as a single UI frame. If there is no data received from the GPS receiver within four seconds, it will reset its GLOCtx timer and continue.

---

**GREMprog ON | OFF****Default: OFF**

**ON** - Remote programming is enabled in GPS mode.

**OFF** - Remote programming is disabled in GPS mode.

While operating in one of the GPS modes, the following commands can be programmed:

1. GLOCtx
2. GNMEA1
3. GNMEA2
4. GINIText

## 5. GSYMchar

## 6. Unproto

To remotely program the TNC, the programming station must have its Unproto destination call-sign set to match the GPOLLcall of the TNC.

**Example:**

Let's say you have a TNC in your car as a stand alone tracker with its GPOLLcall set to CAR. In your house, you would program your TNC's Unproto to CAR (**U CAR**). Now place your TNC in converse mode by typing either (**K** or **CONVerse**). If you wanted to change the TNC in the car's Unproto path, you would simply type **U APRS via RELAY <CR>**. Your TNC in your home would transmit the following frame:

**Home TNC:**

```
{your callsign}*>CAR [UI]:
U APRS via RELAY
```

**TNC in car would reply:**

```
PK12*>RELAY>APRS [UI]:
++ done
```

Note that the TNC in the vehicle replied with the message ++ done. This indicates that the command was properly received and the parameter was changed. The following is a list of additional messages and their meaning.

**Remote programming messages:****Message****Meaning**

++ done	the parameter was programmed
++ bad	not supported, incorrect format, or bad data
++ too many	too many parameters entered
++ range	numeric entry is too large

**GSYMChar "n"****Default: 0 None**

This is a Hex value ranging from 0-255 that represents a symbol in APRS software. The symbol char will be enclosed in curly brackets before all Beacon transmissions.

```
KA7SYZ*>RELAY>APRS [UI]:
```

```
{SYMChar} This is a sample UI frame...
```

**GUNStart ON|OFFDefault: OFF**

ON - The TNC starts in CONVERSE mode after a restart or power-up.

OFF - The TNC will power-up in command mode.

This command allows the TNC to power-up in the converse mode if turned on.





## Welcome to DSP for the PK-900

Enclosed find your DSP upgrade kit. Follow the instructions carefully and you should have no problem in getting the unit on the air. If you do have questions, Timewave has technical support available at (651) 489-5080 and [DSP@timewave.com](mailto:DSP@timewave.com)

You will want to experiment with different parameter setting in order to optimize your new DSP Multi-mode controller. We have found that changing the value of Audelay will improve performance in many stations. If you operate in a traffic net then changes in the AUdelay at both ends of the connection may further optimize traffic flow.

You may also require a bit more drive to the radio using the TX Level 1 control for the same level of drive that you had before upgrading the PK-900.

To take advantage of the new CW filters, you can set the 50/100/200 Hz filters by selecting the proper CW modem 12,13 or 14 (Do a DIR command to see your new modems) or If you are using the new PK TERM 99 program, The CW filter selection is done from the menu.

If you would like a demo copy of PK TERM 99 download one from <http://www.timewave.com>. If you are running WIN3.1 then you should upgrade to PC PakRATT for Windows 2.1 to avoid the Y2K problem in version 2.0

Thanks again for choosing Timewave for your digital station.

# PK-900/DSP Upgrade Kit

Thank you for purchasing the PK-900/DSP upgrade. Here are the tools you will need:

- Wire Cutters
- Phillips Screwdriver
- Needle nose pliers
- Flat head screwdriver
- Solder pencil and solder
- Solder sucker tool or solder wick for cleaning the pads on C69, C89 and the U55 "VIA"

Please check the contents of the kit at this time. You should have received:

- PK-900/DSP Upgrade board assembly
- Package with 1 metal and 1 plastic standoff
- PK-900/DSP installation instructions (This document – 4 pages)
- Manual supplement request form (1 page)
- Warranty card

Clean off an area to work on your PK-900. You should take standard static electric precautions when working on any ham equipment.

Here are the steps in the upgrade procedure:

- 1) Remove Power
- 2) Remove 4 screws holding chassis top
- 3) Locate and remove U36, U37 and U44 (See figure A.)

*Slide the flat blade of the screwdriver under the chip and elevate carefully. Do the same thing at the other end of the IC and it will pop out cleanly. BE SURE the screwdriver is between the IC and the chip socket, NOT between the chip socket and the board*

- 4) Locate and remove C69 and C89 (see figure B)

*We recommend that when you remove the capacitors that they be removed by clipping the leads of the capacitor close to the body of the capacitor. Then while holding the lead with the needle nose pliers CAREFULLY heat the solder just until the lead can be removed without force. Be very careful not to pull the barrel from the board by pulling before the solder flows. DO NOT OVERHEAT. The hole can then be cleaned with the solder sucker tool or solder wick.*

5) Locate the "VIA: hole by U55 (closest to pins 2 & 3 (See figure B)

*You will also need to clean the solder from the VIA by U55. Observe the same precautions as above and do not overheat the board.*

6) Remove screw in corner by U60

7) Insert metal standoff supplied into the hole of the screw just removed.

- a) Inspect the PK-900/DSP board for damage, bent pins or chips that may have become unseated. Reseat if necessary.
- b) Peel paper back from the plastic standoff and insert in the hole in the upper right hand side of the DSP board (near U5). The standoff is inserted from the bottom of the board.
- c) Carefully insert the DSP board into sockets U36 and U44 (See Fig A)

8) Re-install screw removed in step 6 through the board into standoff to secure the board.

9) Solder the wires from the DSP board as follows (See fig B). The wires are labeled on the DSP board:

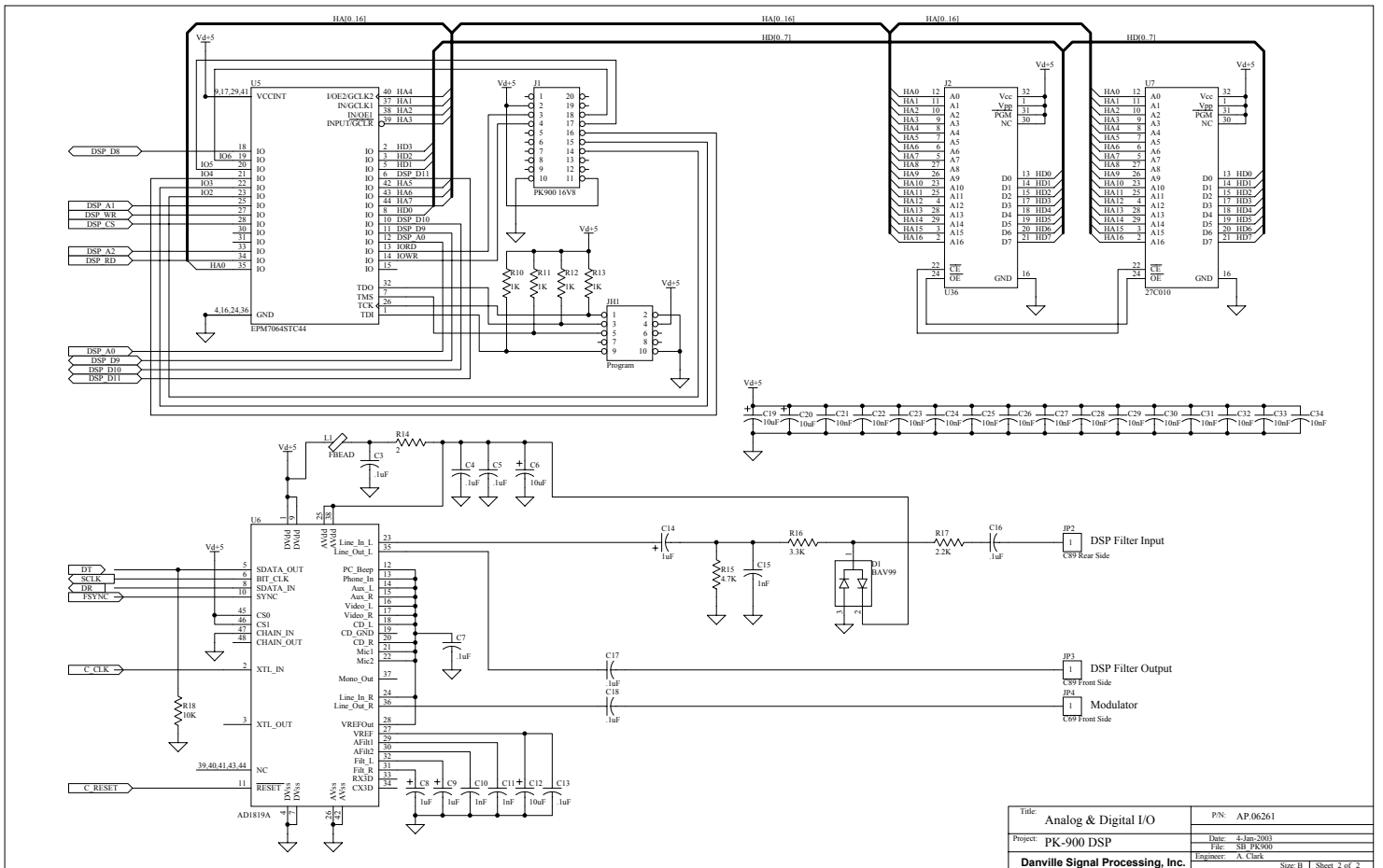
C89 Rear Pad  
C89 Front Pad  
U55 "VIA" hole  
C69 Front Pad

10) Secure the chassis top with all 4 screws, reconnect the unit and reset when powering on for the first time.

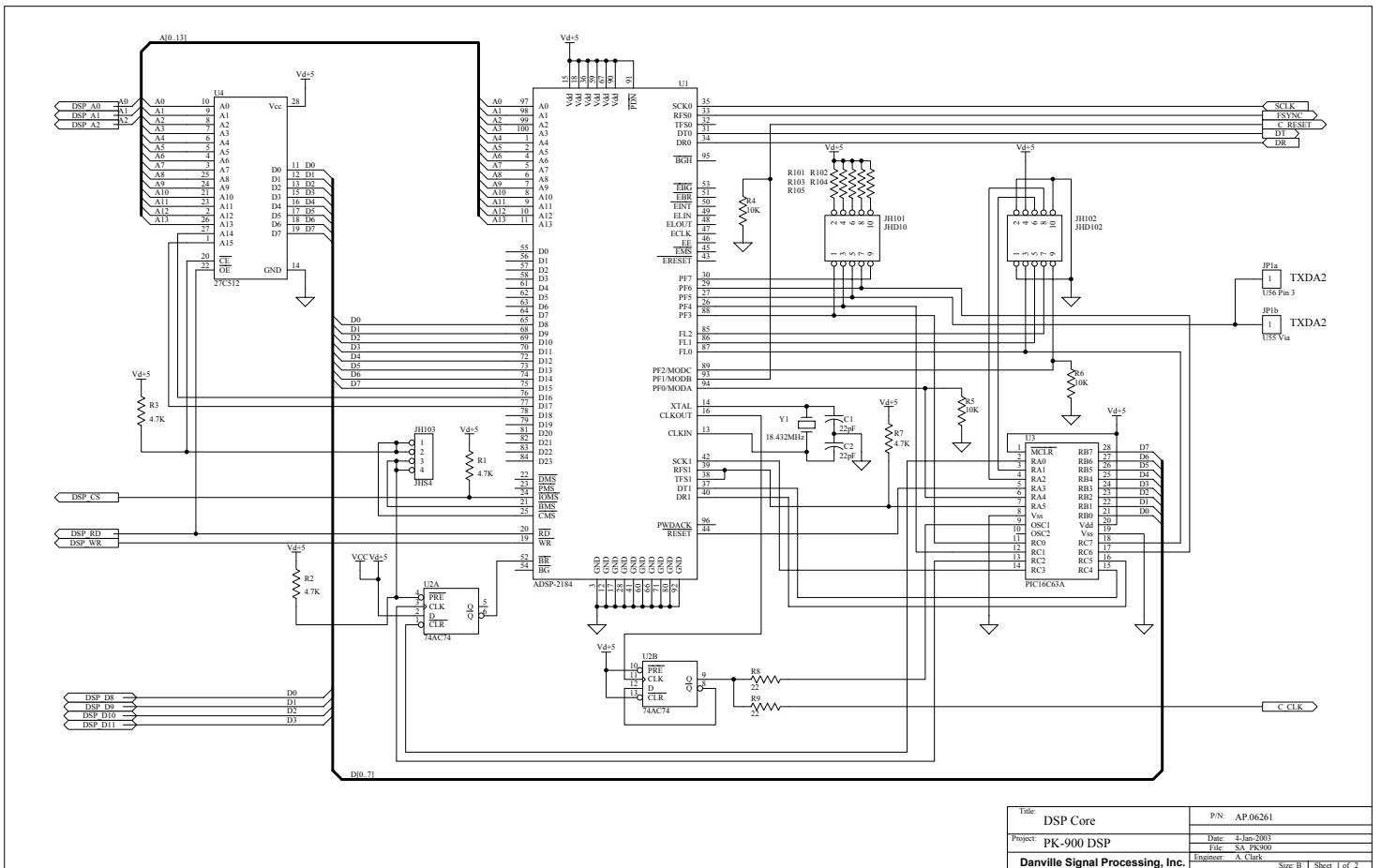








Title:	Analog & Digital I/O	P/N:	AP 06261
Project:	PK-900 DSP	Date:	4-Jan-2003
		File:	S01_PK900
		Engineer:	A. C. Lee
Danville Signal Processing, Inc.		Size:	B
		Sheet:	2 of 2



Title:	DSP Core	P/N:	AP.06261
Project:	PK-900 DSP	Date:	4-Jan-2003
		File:	SA_PK900
		Engineer:	A. Clark
Danville Signal Processing, Inc.		Sur:	B   Sheet 1 of 2

---

# **PK-900/PSK**

## **Sound Card Interface Upgrade Kit A.06265**

---

Installation  
and  
Operation  
Manual



## **WARRANTY**

### **TIMEWAVE TECHNOLOGY INC. LIMITED ONE YEAR WARRANTY**

#### **WHO IS COVERED**

This warranty is extended only to the original purchaser of the A.06265.

#### **WHAT WE WILL DO**

If your A.06265 fails in normal use because of a defect in workmanship or materials within one year of the date of purchase, we will repair or replace (at our option) the equipment at our factory without charge to you. Timewave will pay for the return of the warranty-repaired unit to you.

#### **WHAT YOU MUST DO**

First, double check your connections and operating procedure. If you're certain that the unit is faulty, notify Timewave Customer Service immediately. If Timewave is unable to resolve the problem by telephone or email, we will give you an RMA number and ask you to return the unit. You must pay all shipping and insurance charges for returning the unit to our factory.

#### **WHAT IS NOT COVERED**

We cannot be responsible for damage caused by accidents, abuse, misuse, improper installation, or unauthorized attempts to repair the unit. This warranty does not cover any parts of the PK-900 except the A.06265.

#### **SERVICE WARRANTY**

Timewave service work performed in connection with this warranty is warranted to be free from defects in materials and workmanship for 30 days from the date of repair. All other terms of the limited warranty apply to the service warranty.

#### **HOW TO CONTACT TIMEWAVE**

Contact Timewave Customer Service by telephone at (651) 489-5080 or by FAX at (651) 489-5066.

Mailing and shipping address:

Timewave Technology Inc.  
501 W. Lawson Ave.  
St. Paul, MN 55117

email: sales@timewave.com  
techsupport@timewave.com  
service@timewave.com

web: www.timewave.com

**TIMEWAVE MAKES NO OTHER WARRANTY, EXPRESSED OR IMPLIED, INCLUDING BUT NOT LIMITED TO THE IMPLIED WARRANTIES OF MERCHANTABILITY OR FITNESS FOR A PARTICULAR PURPOSE.**

©2002 by Timewave Technology Inc., St. Paul, MN USA

# **Table of Contents**

## **Introduction**

### **1. PSK Sound Card Interface Board Installation**

### **2. PSK Sound Card Interface Board Settings**

### **3. PSK Sound Card Interface Connections**

### **4. PSK Sound Card Interface Operation**

### **5. PSK Sound Card Interface Schematic Diagrams**

## Welcome to PSK for the PK-900

Thank you for purchasing the PSK Soundcard Interface upgrade kit for the PK-900 and PK-900/DSP. The Timewave part number of this kit is A.06265.

Follow the instructions carefully and you should have no problem in getting the unit on the air. If you do have questions, Timewave has technical support available at (651) 489-5080 and [service@timewave.com](mailto:service@timewave.com)

**Please read before installing this upgrade kit.**

**If your PK-900 has a version A mainboard, contact Timewave for installation instructions.**



# PK-900/PSK Upgrade Kit

## Section 1

### PSK Sound Card Interface Board Installation

#### Installation steps

If you have purchased a PK-900 DSP upgrade kit, install it before you install the PSK upgrade kit.

Please check the contents of the kit at this time. You should have received:

- 1 PK-900/PSK Upgrade assembly
- 1 Eprom I.C. ver. 7.3
- 1 PAL I.C. ver. C (not used with PK-900/DSP units)
- 2 cables – 3.5 mm to 3.5 mm stereo phone jack – 6 ft.
- 1 PK-900/PSK installation and Operation instructions
- 1 Warranty card
- 1 Timewave CD ROM (also contains this document in .pdf format)

Here are the tools you will need:

- Wire Cutters
- Phillips Screwdriver
- Needle nose pliers
- Flat head screwdriver
- 3/16" hex nut driver
- Solder pencil and solder
- Solder sucker tool or solder wick for cleaning the pads on C40, C89 and the R253

Clear an area to work on your PK-900. You should take standard anti-static electricity precautions when working on any ham equipment.

Here are the steps in the upgrade procedure:

#### **Disassembly**

*Keep all removed parts, some are necessary to re-assemble the PK-900.*

- 1) Remove Power
- 2) Remove 2 hex jack screws on either side of the RS-232 SERIAL jack screw.  
Use a 3/16" hex nut driver to avoid scarring the jack screw finish.

- 3) Remove the two serrated nuts from the RX IN AUDIO jacks. Use a special nut driver made for this purpose if you have one. If not, use a spanner wrench if you have one. A pair of needle nose pliers can be used as a spanner wrench if you are very careful not to slip and scratch the panel or break the tips on the pliers.
- 4) Remove 4 screws holding chassis top - two on each side of the PK-900 top cover.
- 5) Disconnect the cables connecting the PK-900 front panel and the mother board.
- 6) Remove 3 screws holding back panel - one on each side and one on the bottom of the PK-900 bottom cover.
- 7) Remove the back panel from the PK-900.
- 8) Remove the remaining screws on the bottom of the chassis that fastens the motherboard to the chassis.
- 9) Remove the motherboard from the chassis.
- 10) If you have a 9600 baud board installed near the back panel, carefully remove the 9600 baud board by removing the four screws holding it down and gently pulling it upward to remove it from its socket. Be very careful not to bend the 20 pins on the bottom of the board. Set it aside in a protected place. It will be reinstalled later.
- 11) If you have a PK-900/DSP with a Timewave DSP daughterboard, go to section named “**Installation with a DSP Daughterboard**” for further installation instructions.
- 12) If you have a PK-900 without a Timewave DSP upgrade kit, go to section named “**Installation without a DSP Daughterboard**” for further installation instructions.

## Installation *with* a DSP Daughterboard

- 1) Skip this step if Eprom U7 on the DSP daughterboard is ver. 7.3. If Eprom U7 is ver. 7.2 or lower, locate and remove U7.
- 2) *Use an IC removal tool if you have one. If not, slide the flat blade of the screwdriver under one end of the chip and elevate carefully. Do the same thing at the other end of the IC and it will pop out cleanly. BE SURE the screwdriver is between the IC and the chip socket, NOT between the chip socket and the board.*
- 3) Install the new 32 pin eprom in the U7 socket on the DSP daughterboard. Be very careful to orient the notch in the end of the chip to match the notch in the outline on the circuit board. Make sure all pins are straight and fit directly into the Eprom socket before you carefully press the new eprom into the socket. All pins should be inserted directly into the socket with no pins curled under the chip or bent outside the socket.
- 4) Follow the next steps to remove components from the main PC board.
- 5) Locate and remove C40 near J1 (see figure B).

*We recommend that you remove the capacitors and resistors by desoldering them from the back of the board. Remove the solder from the holes with a solder sucker tool or solder wick. Use care not to overheat the board. You may burn the board or damage the pad or barrel in the hole. When hole and the lead are clear of solder, gently remove the component from the top of the board. In some cases, it may be easier to remove the component by clipping the leads of the component close to the body of the component before desoldering it.. Then while holding the lead with the needle nose pliers, CAREFULLY heat the solder just until the lead can be removed without force. Be very careful not to pull the barrel from the board by pulling before the solder flows. DO NOT OVER-HEAT. The hole can then be cleaned with a solder sucker tool or solder wick.*

*You will also need to clean the solder from the C40 pads. Observe the same precautions as above and do not overheat the board.*

- 6) Locate and remove the wire on the pad on the DSP daughterboard labeled “C89 Rear”. Remove the other end of the wire from the rear pad of C89 on the PK-900 main board. Discard the the removed wire.

*You will also need to clean the solder from the C89 rear pad and the daughterboard pad labeled “C89 Rear” Observe the same precautions as above and do not overheat the board.*

- 7) Remove R253, if it is installed on your PK-900. See Figure A.

*You will also need to clean the solder from the R253 pads. Observe the same precautions as above and do not overheat the board.*

- 8) Re-install the main board on the chassis using the screws you saved when you removed it.
- 9) Reconnect the front panel connectors to the main board.

# Installation *with* a DSP Daughterboard

## Connections

Follow the next steps to connect the wires from the back panel as shown in Figure A and B.

- 1) Connect PSK enable J5 on PSK board (grey wire) to PB0 (hole from lead of R253 closest to left side of PK-900).
- 2) Connect J1 (+12V) (red wire) to D21 (1N4004 smaller diode on the left closest to the heatsink) anode lead on PK-900 main board. The anode lead is toward the front of the PK-900 and is the end of the diode without the light-colored band on the body of the diode. Wrap the stripped wire lead from J1 around the lead of the diode as far as possible from the body of the diode. Solder the two leads together.
- 3) Connect J6 (GND) (black wire) to the solder lug on the top of the DC power jack on PK-900 main board.
- 4). Connect J2 (RX Audio in) (violet wire) to C89 Rear Pad on PK-900 main board.
- 5) Connect J3 (RX audio out) (white wire) to the pad on the PK-900 DSP board labeled “C89 Rear”.
- 6). Connect J7 (TX audio in) (brown wire) to the C40 left pad on PK-900 Main board.
- 7). Connect J4 (TX Audio out) (orange wire) to the C40 right pad on PK-900 main board.
- 8) If you have one, re-install the 9600 baud board. Be very careful not to bend the 20 pins on the bottom of the board. Fasten the board with the four screws removed when the board was temporarily removed. All the leads from the PSK board should be under the 9600 baud board. Do not pinch any wires under the board standoffs or sockets.
- 9) Fasten the new back panel assembly to the bottom cover of the PK-900 with 3 screws removed with the old back panel.
- 10) Secure the chassis top with all 4 screws.
- 11) Place the enclosed sticker (PSK) below the raised “AEA” logo on the left side of the front panel of the PK-900. Place it one inch above the bottom edge of the panel.
- 12) Reconnect the unit and reset when powering on for the first time.

## Installation *without* a DSP Daughterboard

- 1) Locate and remove U36, U37 and U44 (See Figure A.)
- 2) *Use an IC removal tool if you have one. If not, slide the flat blade of the screwdriver under one end of the chip and elevate carefully. Do the same thing at the other end of the IC and it will pop out cleanly. BE SURE the screwdriver is between the IC and the chip socket, NOT between the chip socket and the board.*
- 3) Install the new 32 pin eeprom in U36. Be very careful to orient the notch in the end of the chip to match the notch in the outline on the circuit board. Make sure all pins are straight and fit directly into the Eeprom socket before you carefully press the new eeprom into the socket. All pins should be inserted directly into the socket with no pins curled under the chip or bent outside the socket.
- 4) Install the new PAL C in U44. Be very careful to orient the notch in the end of the chip to match the notch in the outline on the circuit board. Make sure all pins are straight and fit directly into the Eeprom socket before you carefully press the new eeprom into the socket. All pins should be inserted directly into the socket with no pins curled under the chip or bent outside the socket.
- 5) Locate and remove C40 near J1 (see Figure B).

*We recommend that you remove the capacitors and resistors by desoldering them from the back of the board. Remove the solder from the holes with a solder sucker tool or solder wick. Use care not to overheat the board. You may burn the board or damage the pad or barrel in the hole. When hole and the lead are clear of solder, gently remove the component from the top of the board. In some cases, it may be easier to remove the component by clipping the leads of the component close to the body of the component before desoldering it.. Then while holding the lead with the needle nose pliers, CAREFULLY heat the solder just until the lead can be removed without force. Be very careful not to pull the barrel from the board by pulling before the solder flows. DO NOT OVER-HEAT. The hole can then be cleaned with a solder sucker tool or solder wick.*

*You will also need to clean the solder from the C40 pads. Observe the same precautions as above and do not overheat the board.*

- 6) Locate and remove C89 (see Figure B).

*You will also need to clean the solder from the C89 pads. Observe the same precautions as above and do not overheat the board.*

- 7) Remove R253, if it is installed on your PK-900. See Figure A.

*You will also need to clean the solder from the R253 pads. Observe the same precautions as above and do not overheat the board.*

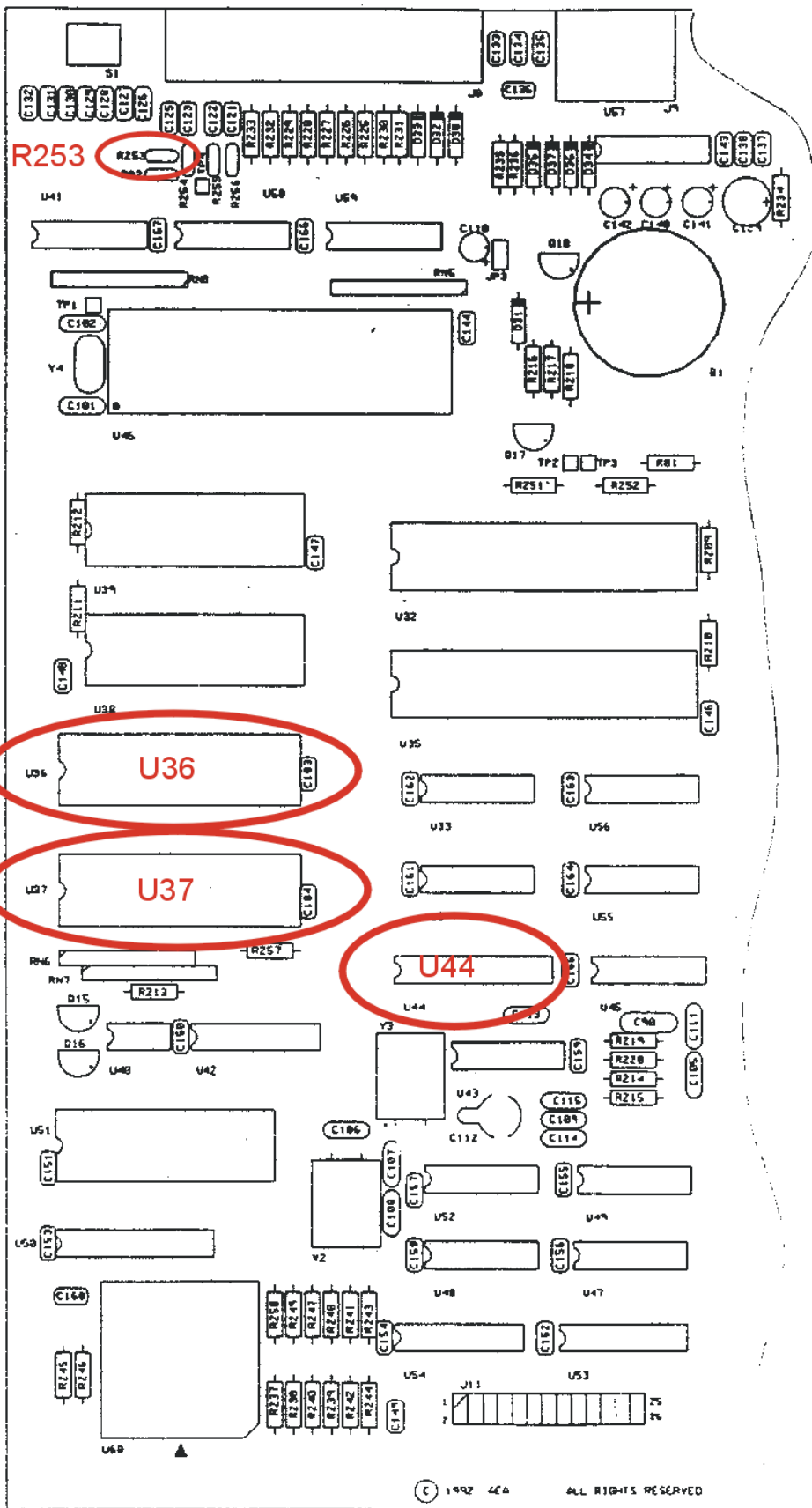
- 8) Re-install the main board on the chassis using the screws you saved when you removed it.
- 9) Reconnect the front panel connectors to the main board.

# Installation *without* a DSP Daughterboard

## Connections

Follow the next steps to connect the wires from the back panel as shown in Figure A and B.

- 1) Connect PSK enable J5 on PSK board (grey wire) to PB0 (hole from lead of R253 closest to left side of PK-900).
- 2) Connect J1 (+12V) (red wire) to D21 (1N4004 smaller diode on the left closest to the heatsink) anode lead on PK-900 main board. The anode lead is toward the front of the PK-900 and is the end of the diode without the light-colored band on the body of the diode. Wrap the stripped wire lead from J1 around the lead of the diode as far as possible from the body of the diode. Solder the two leads together.
- 3) Connect J6 (GND) (black wire) to the solder lug on the top of the DC power jack on PK-900 main board.
- 4). Connect J2 (RX Audio in) (violet wire) to C89 Rear Pad on PK-900 main board.
- 5) Connect J3 (RX audio out) (white wire) to the C89 Front pad on the PK-900 main board.
- 6). Connect J7 (TX audio in) (brown wire) to the C40 left pad on PK-900 Main board.
- 7). Connect J4 (TX Audio out) (orange wire) to the C40 right pad on PK-900 main board.
- 8) If you have one, re-install the 9600 baud board. Be very careful not to bend the 20 pins on the bottom of the board. Fasten the board with the four screws removed when the board was temporarily removed. All the leads from the PSK board should be under the 9600 baud board. Do not pinch any wires under the board standoffs or sockets.
- 9) Fasten the new back panel assembly to the bottom cover of the PK-900 with 3 screws removed with the old back panel, the two knurled nuts on the RX AUDIO IN jacks, and the two jack screws on the RS-232 Serial Connector.
- 10) Secure the chassis top with all 4 screws.
- 11) Place the enclosed sticker (PSK) below the raised “AEA” logo on the left side of the front panel of the PK-900. Place it one inch above the bottom edge of the panel.
- 12) Reconnect the unit and reset when powering on for the first time.



**Fig. A**

C40

PARTS PICTORIAL PK-900 MAIN BOARD  
(Analog Section)

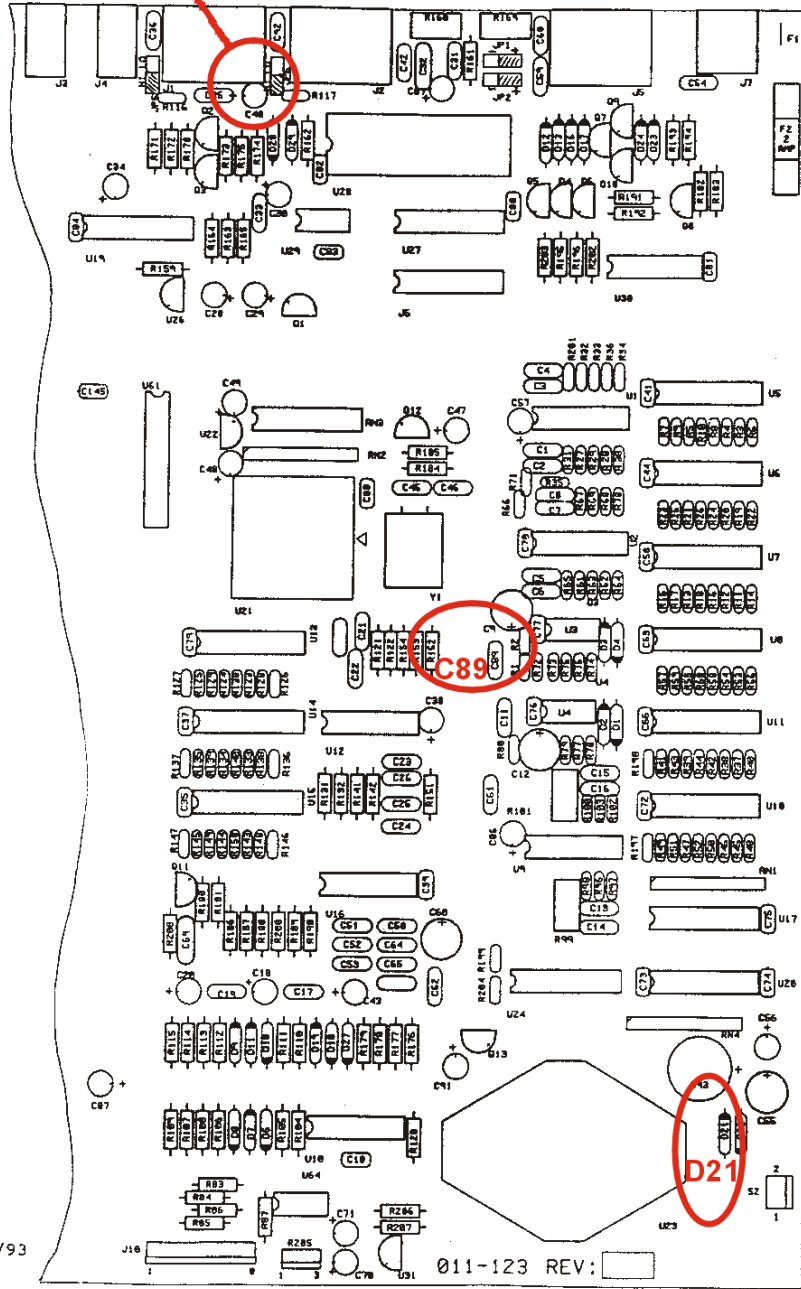


Fig. B



## Section 2

# PK900/PSK Sound Card Interface Board Settings

### Jumper settings

JH1 Jumper must be ON for units with a DSP board installed. It must be OFF for all other units.

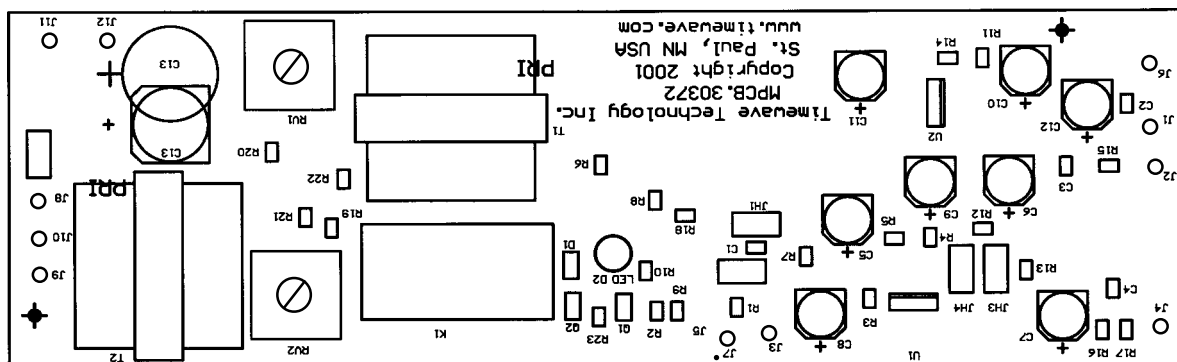
JH3 and JH4 Jumpers adjust the receive gain to the input of the PK-900/PSK according to following table:

<b>JH3</b>	<b>JH4</b>	<b>Relative Gain</b>
OFF	OFF	High
ON	OFF	Medium (Factory Default)
OFF	ON	Low
ON	ON	Low

### Trimpot settings

Trimpot RV1 adjusts the receiver audio signal output level to the sound card input. Use this trimpot to reduce the signal level to the soundcard if your received signal level is overdriving your sound card input. (Check the sound card input level indicators on your computer audio control program.)

Trimpot RV2 adjusts the Sound Card audio signal output level to the transmitter audio input. Use this trimpot to reduce the signal level to the transmit if your sound card output signal level is overdriving your transmitter input. **It is very important not to overdrive your transmitter to avoid interfering with other stations!**



## Section 3

### Sound Card Interface Connections for the PK-900/PSK

The Sound Card interface connections are made to the gold connectors labeled “**SOUND CARD AUDIO**” on the back of the PK-900/PSK. Timewave supplies cables to connect the sound card to the PK-900/PSK. The cables are supplied with each PK-900/PSK and upgrade kit. This connection information is provided for the user’s convenience.

#### PK-900/PSK

#### Connection

##### **TO INPUT**

To Sound Card Audio input.

Insert phone plug into sound card input jack (blue ring around jack on most sound cards). Use the mic jack input (pink) if you need more gain.

The phone plug tip and ring are the signal connections. The tip is the factory default connection. To select the ring use Jumper JH1 on the Jack PC board mounted on the back panel.

Phone plug sleeve is the signal return connection.

##### **FROM OUTPUT**

From Sound Card Audio Output (to transmitter audio input)

Insert phone plug into sound input card jack (green ring around jack on most sound cards).

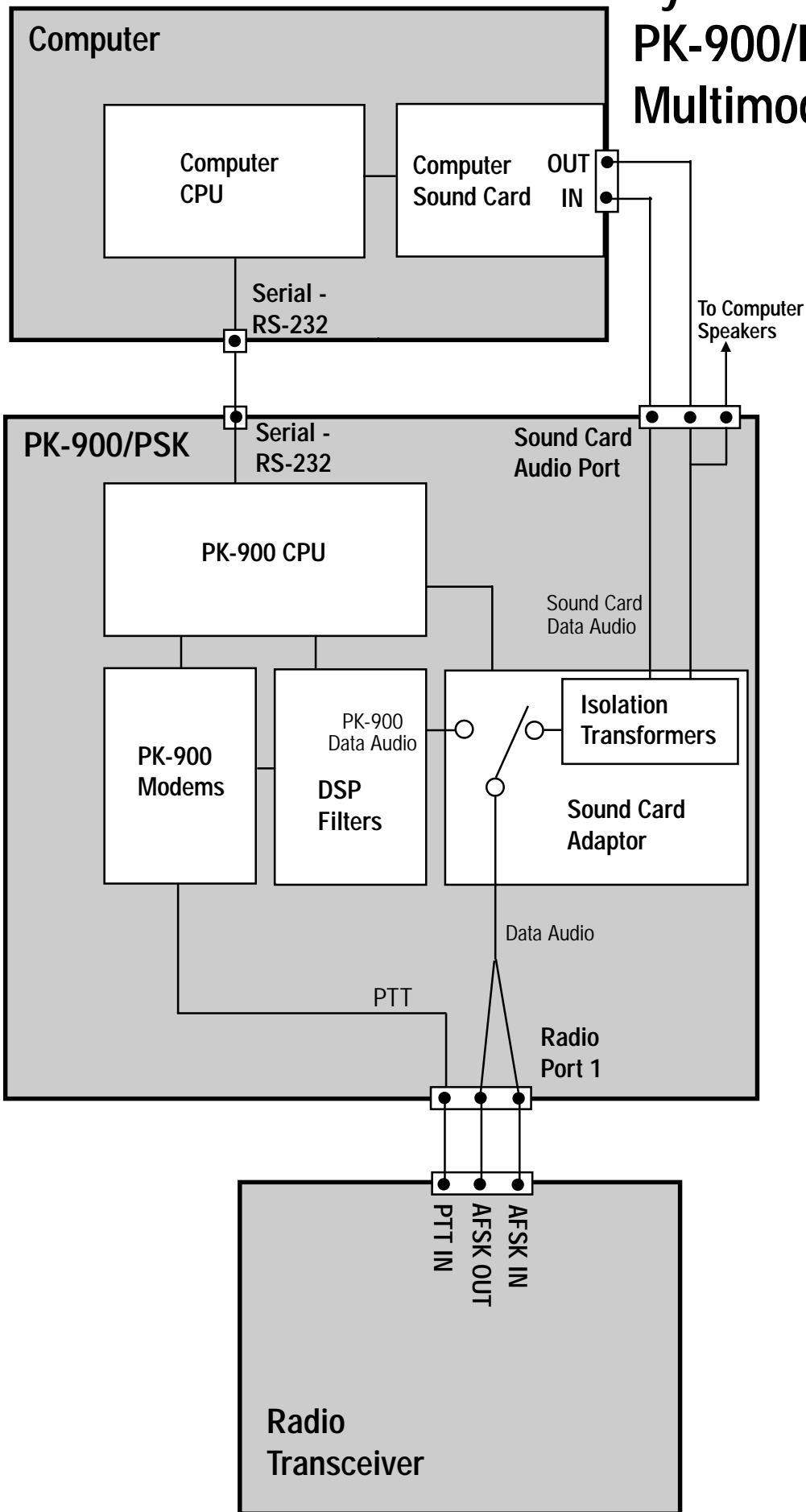
The phone plug tip and ring are the signal connections. The tip is the factory default connection. To select the ring use Jumper JH2 on the Jack PC board mounted on the back panel.

Phone plug sleeve is the signal return connection.

##### **TO SPKRS**

Plug computer speaker into this jack. It is a parallel connection to the” **FROM OUTPUT** “ jack, so that you don’t have to have a separate “Y” connector to plug in your computer speakers.

# System Block Diagram PK-900/PSK Multimode Controller



## Section 4

### Sound Card Interface Operation for the PK-900/PSK

To use the sound card interface, you will need a PC software program for the mode you wish to use. PK-Term for Windows and Digipan are two programs that include PSK-31. PK-Term fully supports the PK-900/PSK for seamless automatic sound card operation. Programs like Digipan may not support the new PK-900 SCD command to select the PK-900 Sound Card mode and switch the PK-900 PTT output between transmit and receive. To support programs like Digipan that have not yet been updated, Timewave has included a free utility program called ModemSwitch™. This program helps you set up the correct COM port and baud rate on your computer, and lets you select the sound card mode and operate the PK-900 PTT output with a few clicks of your computer mouse buttons. It even has a rudimentary dumb terminal for a quick check of your data controller. Read the ModemSwitch help file for more information. Be sure to download the latest upgrade for ModemSwitch™. See the Timewave document “PSKSoftware.pdf” for more third party software information on Sound Card programs. Both are on the Timewave CD and the the Timewave website:

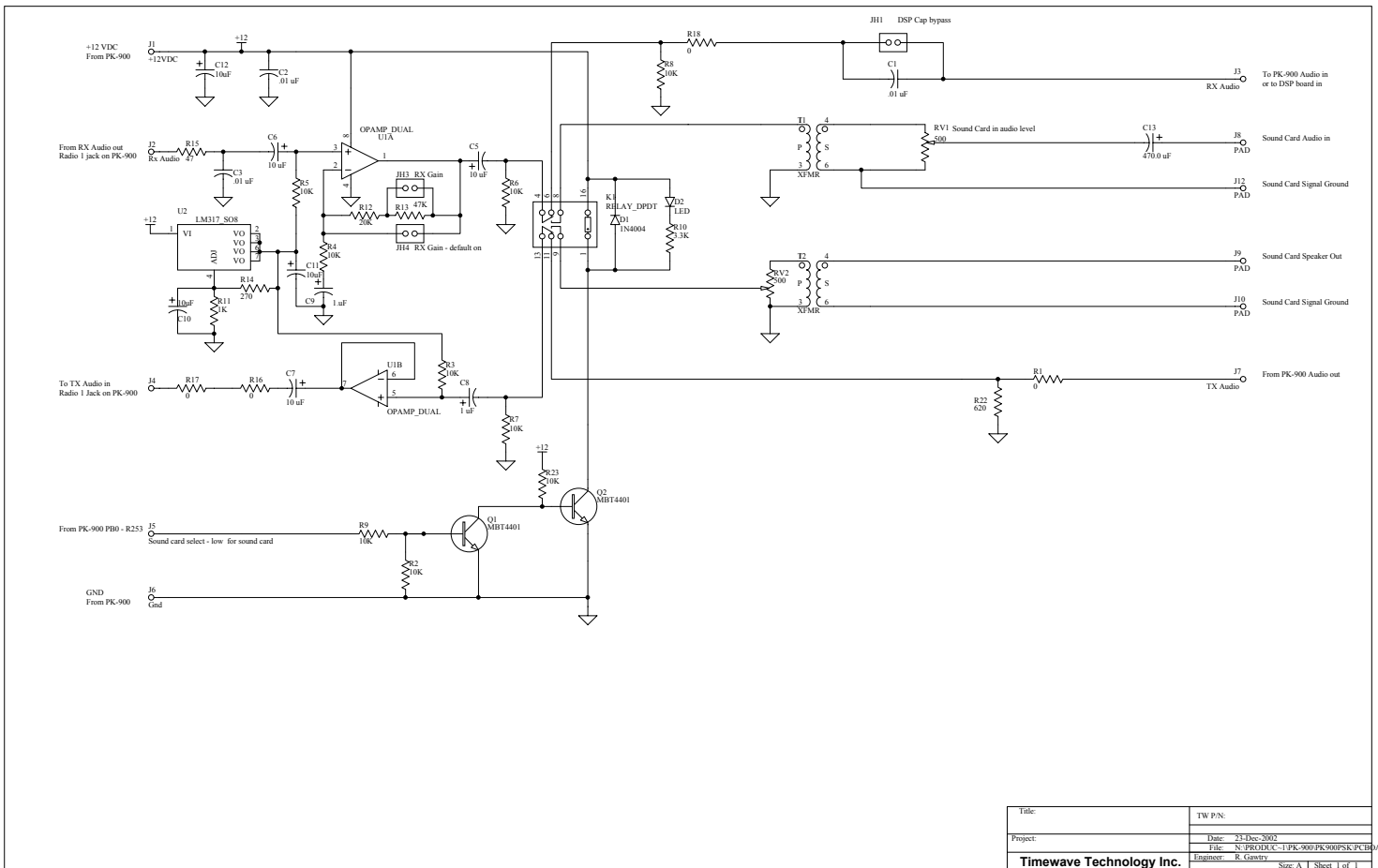
<http://www.timewave.com>

A new command has been added to the PK-900 to select the sound card interface. The new command is “Soundcard”. The short version of the command is “SCD”. To select the sound card interface, type “SCD ON” when you are in the PK-900 command mode (CMD:). To return to the normal TNC mode, type “SCD OFF” when you are in the PK-900 command mode (CMD:). Some programs, such as PK-Term for Windows from CSS, have integrated the sound card command into their operation. In those programs the sound card command will be executed automatically whenever you select the PSK-31 mode.

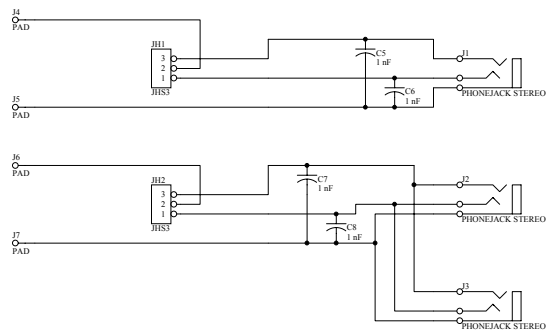
If you would like the latest demo copy of PK-Term for Windows, download it from <http://www.cssincorp.com>. A copy is also on the Timewave CD for your convenience.

## **Section 5**

### **PK-900/PSK Sound Card Interface Schematic Diagrams**



Title:	TW P/N:
Project:	Date: 23-Dec-2002
	File: N_PRODUC_1(PK-900/PK900PSK.PCB)
<b>Timewave Technology Inc.</b>	Estimator: R. Gandy, Size: A   Sheet 1 of 1



Title:	TW P/N:
Project:	Date: 9-Dec-2002
	File: N:\PROD\C...1\PK-900\PK-900\PSK.PCB
	Engineer: R. Gentry
<b>Timewave Technology Inc.</b>	Size: A   Sheet 1 of 1

AR-1 PK900P-1 PK900

