

Zoom

Display Reset

Current Reset

Move Image

X Y Z

Reset

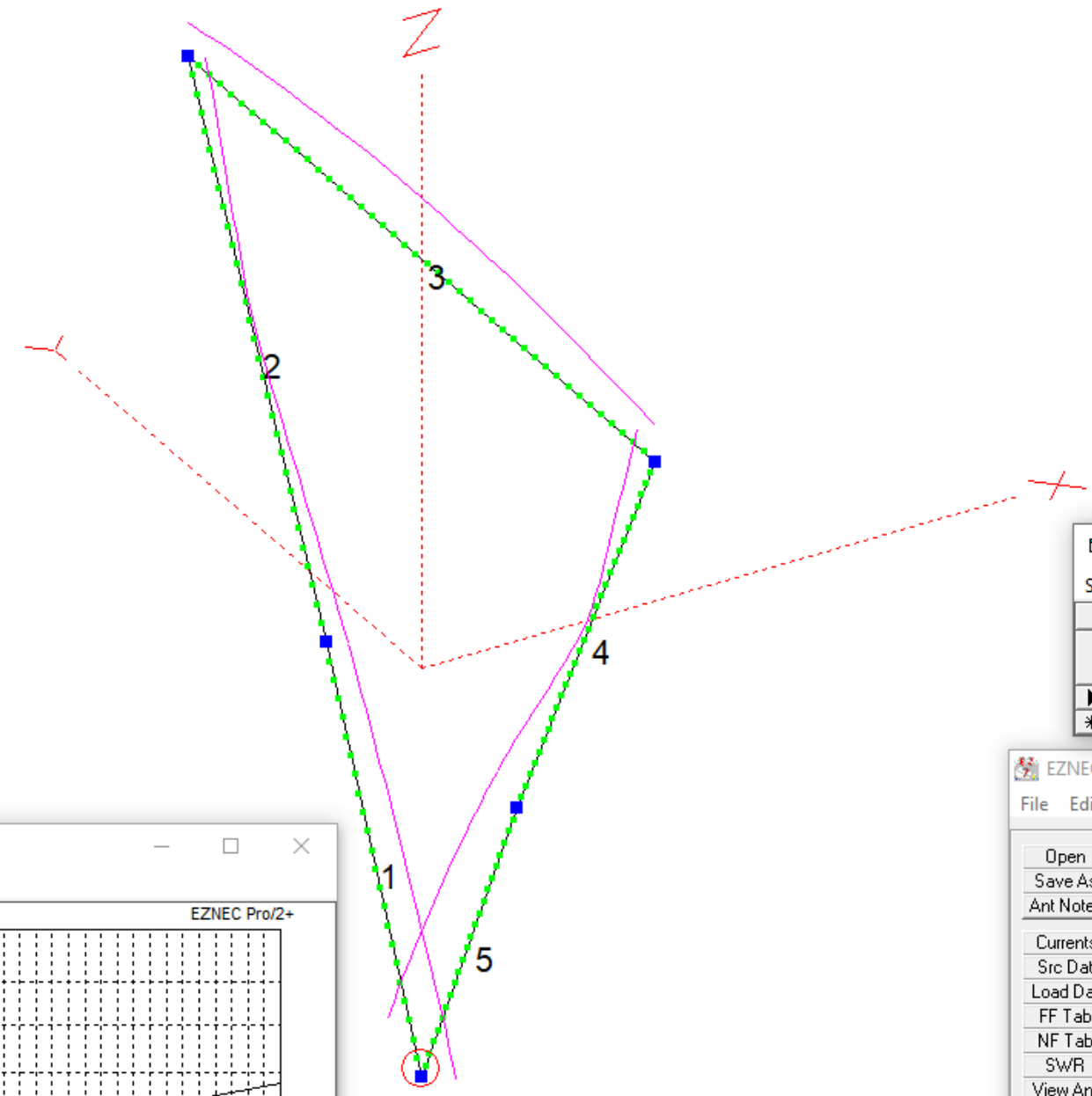
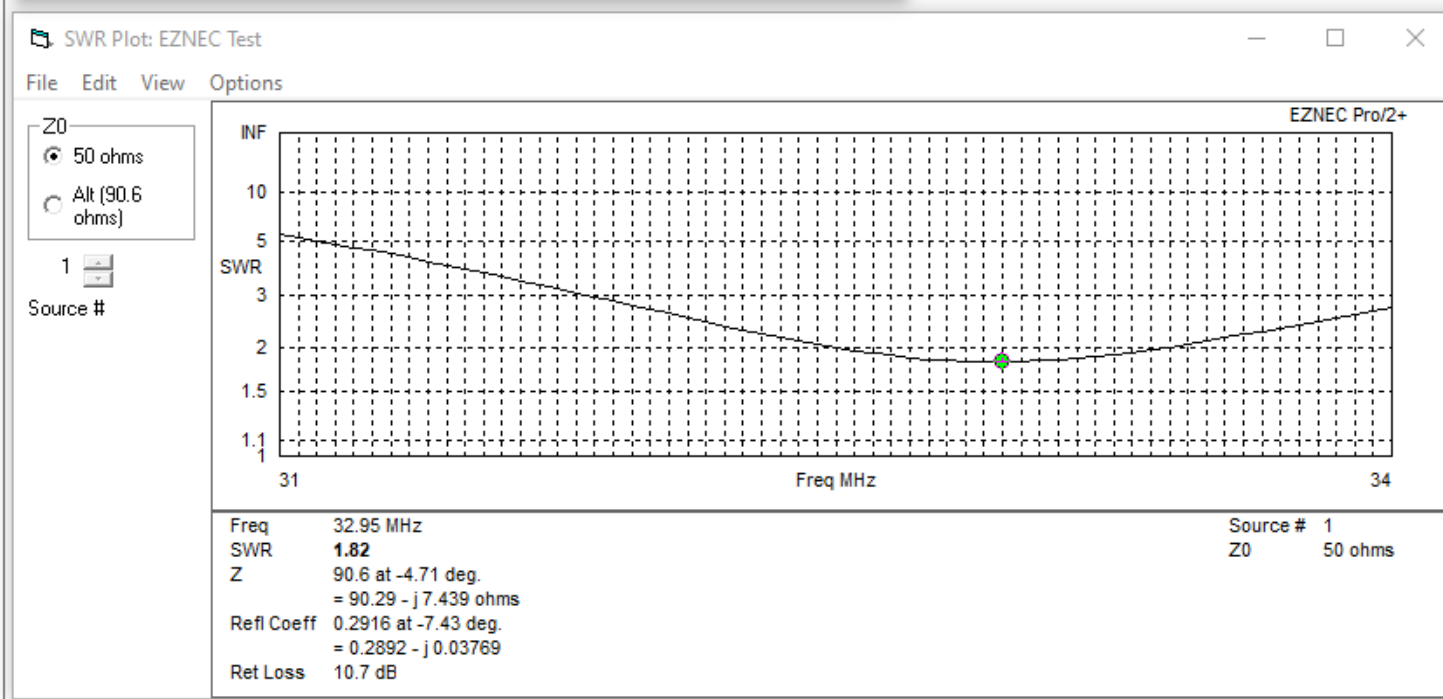
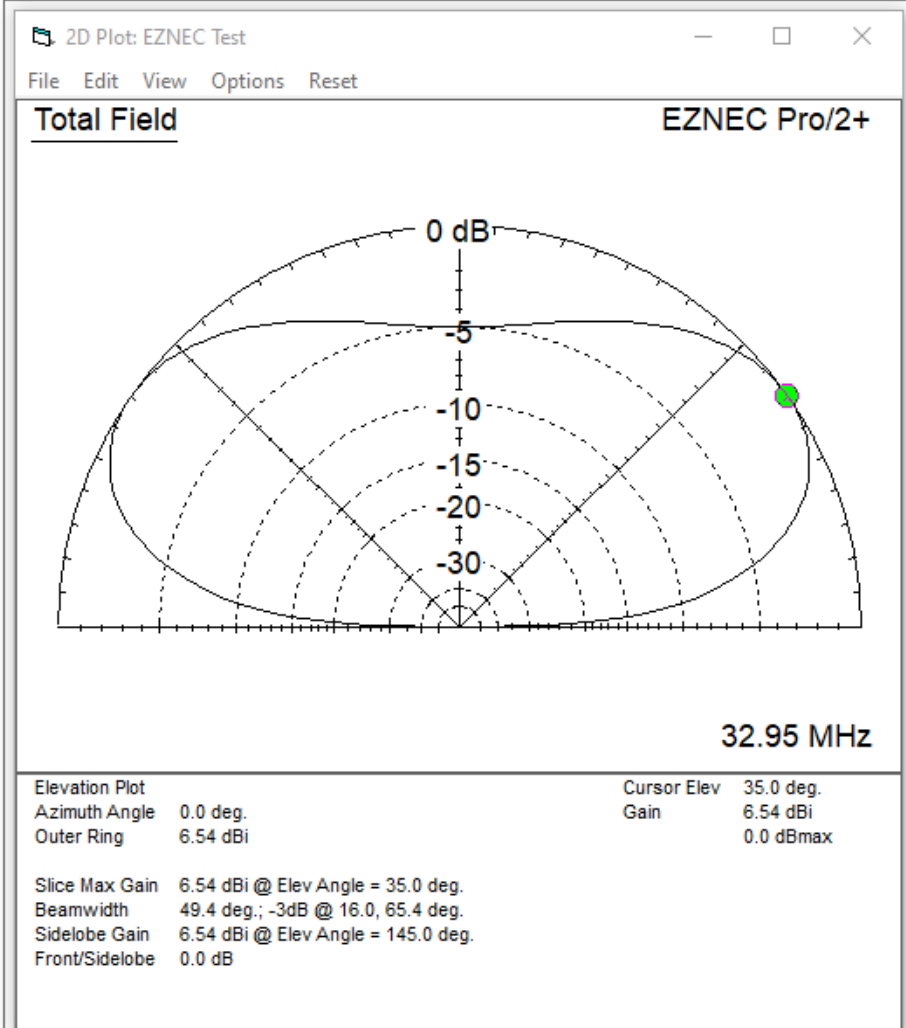
Center Ant Image

Mouse Operation

Normal Viewing

Add Conn Wires

Move Wire Ends



Sources

Source Edit Other

Sources								
No.	Specified Pos.	Actual Pos.	Amplitude	Phase	Type			
	Wire #	% From E1	% From E1	Seg	[V,A]	[deg.]		
▶ 1	1	0	2.17391	1	1	0	I	
*								

EZNEC Pro/2+ v. 7.0

File Edit Options Outputs Setups View Utilities Help

Open Save As Ant Notes

Currents Src Dat Load Dat FF Tab NF Tab SWR View Ant

NEC-2D FF Plot

EZNEC Test	
File	EZNEC Test.EZ
Frequency	32.95 MHz
Wavelength	9.09841 m
Wires	5 Wires, 151 segments
Sources	1 Source
Loads	0 Loads
Trans Lines	0 Transmission Lines
Transformers	0 Transformers
L Networks	0 L Networks
Y Param Networks	0 Y Param Networks
Ground Type	Real/High Accuracy
Ground Descrip	1 Medium (0.005, 13)
Wire Loss	Aluminum (6061-T6)
Units	Meters
Plot Type	Elevation
Azimuth Angle	0 Deg.
Step Size	1 Deg.
Ref Level	0 dBi
Alt SWR Z0	90.6 ohms
Desc Options	
Gnd Wave Dist	OFF