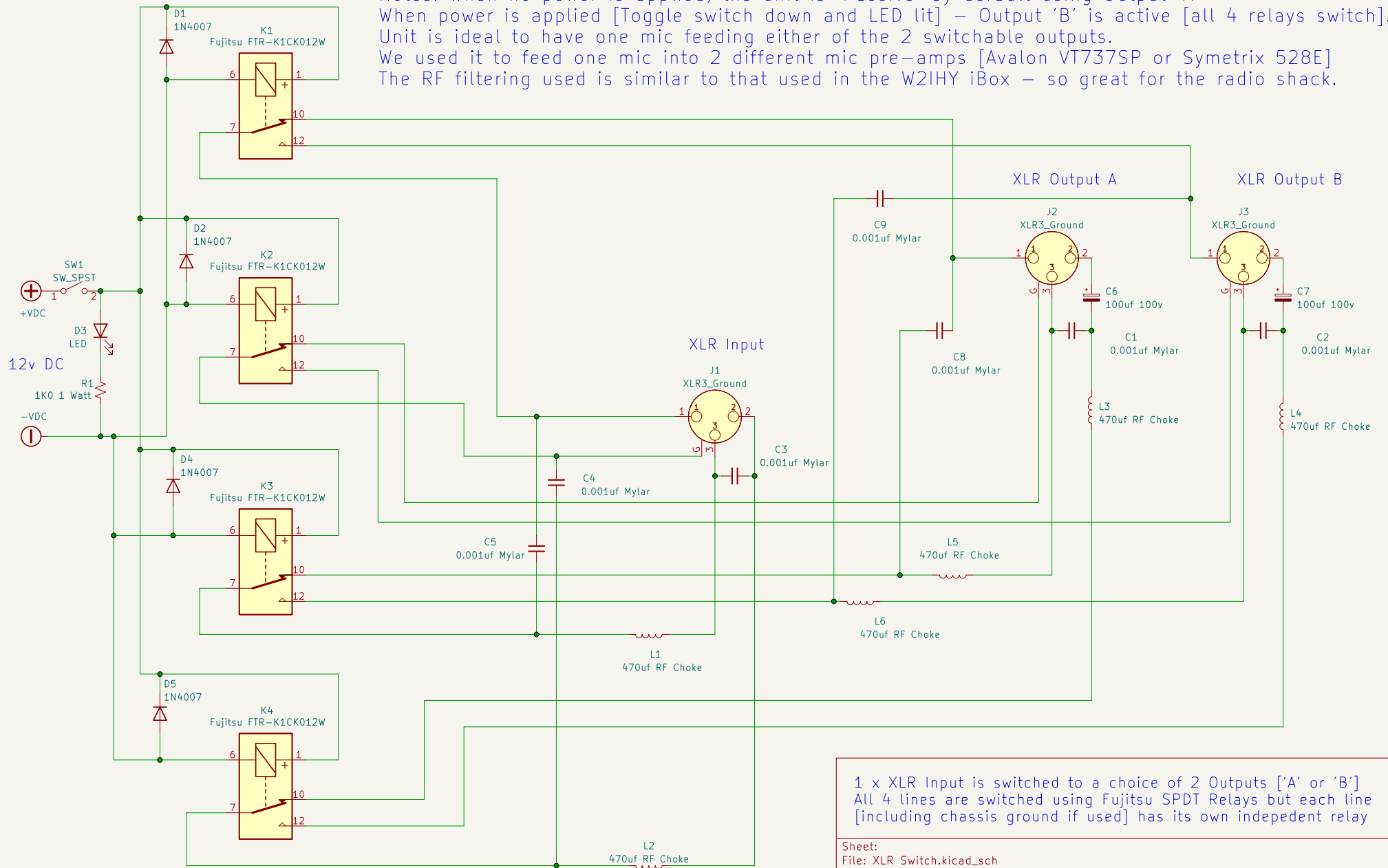


Notes: When no power is applied, the unit is 'Passive' by default using Output 'A'  
 When power is applied [Toggle switch down and LED lit] – Output 'B' is active [all 4 relays switch].  
 Unit is ideal to have one mic feeding either of the 2 switchable outputs.  
 We used it to feed one mic into 2 different mic pre-amps [Avalon VT737SP or Symetrix 528E]  
 The RF filtering used is similar to that used in the W2IHY iBox – so great for the radio shack.



Input DC Voltage depends on Relay Voltage

1 x XLR Input is switched to a choice of 2 Outputs ['A' or 'B']  
 All 4 lines are switched using Fujitsu SPDT Relays but each line  
 [including chassis ground if used] has its own independent relay

Sheet:	
File: XLR Switch.kicad_sch	
<b>Title:</b> XLR Switching Unit by Steve G0UIH	
Size: A4	Date: April 2023
KiCad E.D.A. kicad 7.0.1	Rev: v1.1
	Id: 1/1